



(12) **United States Design Patent**
Muhlenkamp, IV et al.

(10) **Patent No.:** **US D977,546 S**
(45) **Date of Patent:** **** Feb. 7, 2023**

(54) **CAMERA HOUSING**

FOREIGN PATENT DOCUMENTS

(71) Applicant: **GoPro, Inc.**, San Mateo, CA (US)
(72) Inventors: **John George Muhlenkamp, IV**,
Brisbane, CA (US); **Bessy Liang**, San
Jose, CA (US); **Huy Phuong Nguyen**,
Alpine, UT (US); **Daniel J. Coster**,
Oakura (NZ)

| | | |
|----|-----------|--------|
| CN | 302944108 | 5/2014 |
| CN | 303933789 | 6/2016 |
| GB | 4034453 | 3/2014 |

(73) Assignee: **GoPro, Inc.**, San Mateo, CA (US)

(**) Term: **15 Years**

(21) Appl. No.: **29/838,380**

(22) Filed: **May 12, 2022**

Related U.S. Application Data

(60) Continuation of application No. 29/817,143, filed on
Nov. 29, 2021, now Pat. No. Des. 954,776, which is
a division of application No. 29/745,857, filed on
Aug. 10, 2020, now Pat. No. Des. 946,072.

(51) **LOC (14) Cl.** **16-01**
(52) **U.S. Cl.**
USPC **D16/200**

(58) **Field of Classification Search**
USPC D16/200, 202–204, 208, 211, 218, 219,
D16/237; D3/263, 267, 268
CPC G03B 15/03; G03B 17/02; G03B 17/04;
G03B 17/08; G03B 17/56; G03B 19/04;
H04N 5/2251; H04N 5/2252; H04N
5/2253; H04N 5/2254; A45C 11/38
See application file for complete search history.

(56) **References Cited**

U.S. PATENT DOCUMENTS

| | | |
|-------------|---------|---------|
| 679,881 A | 8/1901 | Bullard |
| 1,467,556 A | 9/1923 | Nagel |
| 1,612,277 A | 12/1926 | Leo |
| 2,336,104 A | 12/1943 | Laube |

(Continued)

OTHER PUBLICATIONS

Action Video Suction Cup. [online] Published date Oct. 23, 2014.
Retrieved on Nov. 2, 2016 from <URL: <https://www.amazon.com/Suction-Locking-JOBY-Easy-Anti-Vibration-Cameras/dp/B0008R7A72/ref=pd_sim_421_2?encoding=UTF8&pd_rd_i=B0008R7A72&pd_rd_r=AGCVZH2ZHQKHT5BBX2GZ&pdrd_w=7Jkpc&pdrd_wg=OMkYF&psc=1&refRID=AGCVZH2ZHQKHT5BBX2GZ>. (9 pages).

(Continued)

Primary Examiner — Ramzi Almatrahi

(74) *Attorney, Agent, or Firm* — Young Basile Hanlon &
MacFarlane, P.C.

(57) **CLAIM**

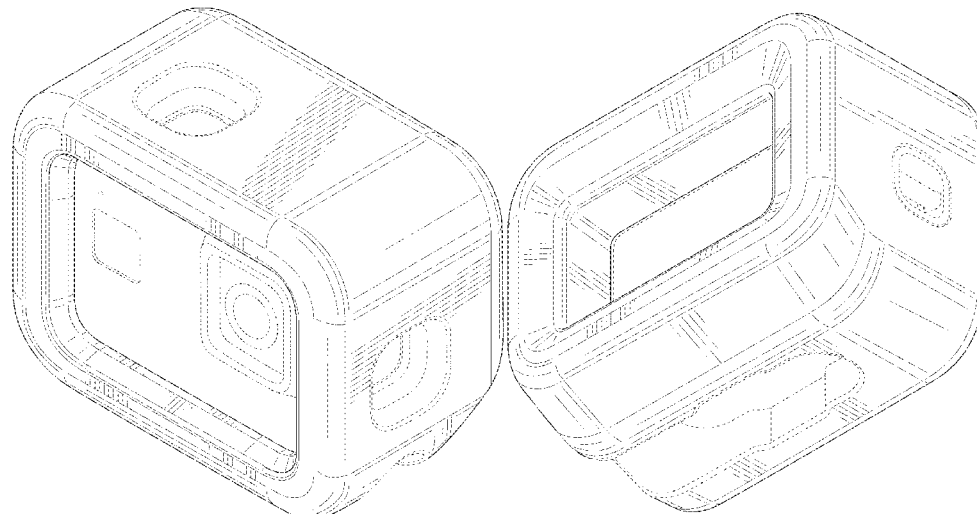
The ornamental design for a camera housing, as shown and
described.

DESCRIPTION

FIG. 1 is a top, front and right perspective view of a camera
housing showing our new design;
FIG. 2 is a bottom, rear and left perspective view thereof;
FIG. 3 is a front view thereof;
FIG. 4 is a rear view thereof;
FIG. 5 is a right view thereof;
FIG. 6 is a left view thereof;
FIG. 7 is a top view thereof; and,
FIG. 8 is a bottom view thereof.

The broken lines depict portions of the camera housing in
which the design is embodied that form no part of the
claimed design. Additionally, the broken lines showing a
camera within the camera housing represent environmental
structure and form no part of the claimed design.

1 Claim, 5 Drawing Sheets



US D977,546 S

(56)

References Cited

U.S. PATENT DOCUMENTS

| | | | | | | | | |
|-----------|----|---------|---------------|------------|----|---------|----------------|---------|
| 4,341,452 | A | 7/1982 | Korling | D759,145 | S | 6/2016 | Lee | |
| D265,829 | S | 8/1982 | Shimoda | D760,309 | S | 6/2016 | Parfitt | |
| 4,646,141 | A | 2/1987 | Timmermans | D760,312 | S | 6/2016 | Lee | |
| 4,763,151 | A | 8/1988 | Klinger | 9,360,742 | B1 | 6/2016 | Harrison | |
| D298,760 | S | 11/1988 | Yoshida | D762,759 | S | 8/2016 | Wu | |
| 5,092,552 | A | 3/1992 | Dayton | D763,941 | S | 8/2016 | Smith | |
| 5,325,139 | A | 6/1994 | Matsumoto | D768,228 | S | 10/2016 | Muhlenkamp, IV | |
| D349,126 | S | 7/1994 | Lee | D768,752 | S | 10/2016 | Silver | |
| 5,353,079 | A | 10/1994 | Sakai | D768,754 | S | 10/2016 | Bennett | |
| 5,576,781 | A | 11/1996 | Deleeuw | D769,346 | S | 10/2016 | Nguyen | |
| 5,738,321 | A | 4/1998 | Moriyasu | D773,546 | S | 12/2016 | Nguyen | |
| D441,386 | S | 5/2001 | Yamazaki | D776,738 | S | 1/2017 | Clearman | |
| 6,347,893 | B1 | 2/2002 | Shiono | D776,741 | S | 1/2017 | Parfitt | |
| D469,338 | S | 1/2003 | Chace | D777,239 | S | 1/2017 | Costa | |
| D491,968 | S | 6/2004 | Isshiki | D778,335 | S | 2/2017 | Gioscia | |
| D492,953 | S | 7/2004 | Mitsuse | D783,079 | S | 4/2017 | Lee | |
| D499,131 | S | 11/2004 | Tania | D785,068 | S | 4/2017 | Patsis | |
| D504,904 | S | 5/2005 | Nagai | 9,635,226 | B2 | 4/2017 | Samuels | |
| D515,121 | S | 2/2006 | Bleau | D785,696 | S | 5/2017 | Parfitt | |
| D550,741 | S | 9/2007 | Vernon | D785,697 | S | 5/2017 | Costa | |
| D563,486 | S | 3/2008 | Slater | D789,435 | S | 6/2017 | Nguyen | |
| D582,955 | S | 12/2008 | Sekine | D789,999 | S | 6/2017 | Yakabe | |
| 7,537,399 | B2 | 5/2009 | Mayumi | D790,000 | S | 6/2017 | Wang | |
| D594,050 | S | 6/2009 | Grtner | D790,002 | S | 6/2017 | Nguyen | |
| 7,621,680 | B2 | 11/2009 | Frick | D800,815 | S | 10/2017 | Clearman | |
| D616,480 | S | 5/2010 | Ookawa | D800,819 | S | 10/2017 | Parfitt | D16/219 |
| 8,014,656 | B2 | 9/2011 | Woodman | 9,816,666 | B2 | 11/2017 | Wang | |
| D646,313 | S | 10/2011 | Woodman | D806,775 | S | 1/2018 | Nguyen | |
| D647,554 | S | 10/2011 | Yim | D808,163 | S | 1/2018 | Song | |
| D647,935 | S | 11/2011 | Raken | 9,880,451 | B2 | 1/2018 | Clearman | |
| D653,687 | S | 2/2012 | Yu | 9,894,278 | B2 | 2/2018 | Wei | |
| D657,808 | S | 4/2012 | Woodman | 9,894,279 | B2 | 2/2018 | Wei | |
| D674,428 | S | 1/2013 | Woodman | 9,903,533 | B2 | 2/2018 | Wei | |
| D684,569 | S | 6/2013 | Willenborg | D816,751 | S | 5/2018 | Harrison | |
| 8,467,675 | B2 | 6/2013 | Chen | D819,117 | S | 5/2018 | Lee | |
| D692,507 | S | 10/2013 | Meys | D821,476 | S | 6/2018 | Martin | |
| 8,544,643 | B2 | 10/2013 | Yim | D821,481 | S | 6/2018 | Gioscia | |
| 8,596,890 | B2 | 12/2013 | Yim | D827,696 | S | 9/2018 | Crow | |
| D699,276 | S | 2/2014 | Samuels | D827,697 | S | 9/2018 | Crow | |
| D699,277 | S | 2/2014 | Samuels | 10,101,637 | B2 | 10/2018 | Peddecord | |
| D702,747 | S | 4/2014 | Woodman | D837,861 | S | 1/2019 | Luo | |
| 8,718,457 | B2 | 5/2014 | Clark | D840,463 | S | 2/2019 | Nguyen | |
| D706,603 | S | 6/2014 | Kokawa | D846,620 | S | 4/2019 | Katori | |
| D710,921 | S | 8/2014 | Gioscia | D848,500 | S | 5/2019 | Miyashita | |
| D710,922 | S | 8/2014 | Gioscia | D849,084 | S | 5/2019 | Hu | |
| 8,794,579 | B2 | 8/2014 | Sturman | D850,520 | S | 6/2019 | Voss | |
| D722,097 | S | 2/2015 | Kim | D851,155 | S | 6/2019 | Hu | |
| D724,637 | S | 3/2015 | Samuels | D854,597 | S | 7/2019 | Gao | |
| D724,638 | S | 3/2015 | Samuels | D856,391 | S | 8/2019 | Liu | |
| D725,169 | S | 3/2015 | Gioscia | D861,761 | S | 10/2019 | Bergman | |
| D727,387 | S | 4/2015 | Hasegawa | D867,420 | S | 11/2019 | Zhang | |
| 9,004,783 | B1 | 4/2015 | Woodman | D867,427 | S | 11/2019 | Bai | |
| D730,423 | S | 5/2015 | Vandenbussche | D868,131 | S | 11/2019 | Hu | |
| D732,593 | S | 6/2015 | Woodman | D868,871 | S | 12/2019 | Nguyen | |
| D732,601 | S | 6/2015 | Coyle | D869,539 | S | 12/2019 | Hu | |
| D733,787 | S | 7/2015 | Baker | D871,480 | S | 12/2019 | Hu | |
| D733,788 | S | 7/2015 | Baker | D872,156 | S | 1/2020 | Zhao | |
| D736,848 | S | 8/2015 | Kim | D880,567 | S | 4/2020 | Zhang | |
| D737,647 | S | 9/2015 | Elder | D880,569 | S | 4/2020 | Zhang | |
| D739,451 | S | 9/2015 | Gioscia | D881,254 | S | 4/2020 | Guo | |
| D740,876 | S | 10/2015 | Woodman | D884,061 | S | 5/2020 | Arens | |
| D741,394 | S | 10/2015 | Gioscia | D888,792 | S | 6/2020 | Luo | |
| D745,589 | S | 12/2015 | Lee | D890,835 | S | 7/2020 | Nguyen | |
| D749,164 | S | 2/2016 | Raccach | D891,500 | S | 7/2020 | Tang | |
| D750,146 | S | 2/2016 | Costa | D904,498 | S | 12/2020 | Lim | |
| D750,680 | S | 3/2016 | Chen | D907,680 | S | 1/2021 | Nguyen | |
| D750,687 | S | 3/2016 | Samuels | D908,778 | S | 1/2021 | Xu | |
| D752,671 | S | 3/2016 | Harrison | D909,450 | S | 2/2021 | Grant | |
| D752,672 | S | 3/2016 | Clearman | D911,411 | S | 2/2021 | Coster | |
| 9,282,226 | B2 | 3/2016 | Samuels | D911,412 | S | 2/2021 | Alberstein | |
| D754,230 | S | 4/2016 | Mori | D912,120 | S | 3/2021 | Druker | |
| D754,240 | S | 4/2016 | Samuels | D920,419 | S | 5/2021 | Muhlenkamp, IV | |
| D755,277 | S | 5/2016 | Shnholz | D921,084 | S | 6/2021 | Muhlenkamp, IV | |
| D758,474 | S | 6/2016 | Harrison | D924,297 | S | 7/2021 | Imai | |
| D759,141 | S | 6/2016 | Bacon | D925,643 | S | 7/2021 | Hsu | |
| | | | | D926,853 | S | 8/2021 | Wei | |
| | | | | D929,489 | S | 8/2021 | Coster | |
| | | | | D933,115 | S | 10/2021 | Druker | |
| | | | | D934,945 | S | 11/2021 | Wu | |

(56)

References Cited

U.S. PATENT DOCUMENTS

| | | | |
|--------------|----|---------|----------------|
| D935,506 | S | 11/2021 | Tan |
| D939,608 | S | 12/2021 | Han |
| D941,904 | S | 1/2022 | Coster |
| D943,654 | S | 2/2022 | Jiang |
| 11,258,988 | B1 | 2/2022 | Douglas Dudley |
| D946,071 | S | 3/2022 | Muhlenkamp |
| D946,072 | S | 3/2022 | Muhlenkamp |
| D946,074 | S | 3/2022 | Muhlenkamp |
| D947,920 | S | 4/2022 | Muhlenkamp |
| D949,222 | S | 4/2022 | Bergman |
| D950,624 | S | 5/2022 | Muhlenkamp |
| 2002/0046218 | A1 | 4/2002 | Gilbert |
| 2007/0071423 | A1 | 3/2007 | Fantone |
| 2008/0152337 | A1 | 6/2008 | Gartner |
| 2011/0317065 | A1 | 12/2011 | Lin |
| 2014/0185853 | A1 | 7/2014 | Aihara |
| 2014/0198932 | A1 | 7/2014 | Parkins |
| 2014/0226055 | A1 | 8/2014 | Schmidt |
| 2015/0168815 | A1 | 6/2015 | Chen |
| 2015/0316835 | A1 | 11/2015 | Scott |
| 2015/0326748 | A1 | 11/2015 | Tisch |
| 2016/0004142 | A1 | 1/2016 | Zhang |
| 2016/0100083 | A1 | 4/2016 | Harrison |
| 2016/0229556 | A1 | 8/2016 | Zhou |
| 2016/0246162 | A1 | 8/2016 | Niemeyer |
| 2017/0059967 | A1 | 3/2017 | Harrison |
| 2017/0192341 | A1 | 7/2017 | Casarez |
| 2019/0079373 | A1 | 3/2019 | Wang |
| 2019/0161208 | A1 | 5/2019 | Sun |
| 2022/0053118 | A1 | 2/2022 | Nashizawa |

OTHER PUBLICATIONS

Google Express IGoPro Karma Harness for HERO4 Black/Silver Camera—AGFHA-001 , first reviewed on Mar. 17, 2017, © 2018 Google [online], [site visited Mar. 16, 2018]. Available from Internet, <URL: <https://goo.gl/hugSGv/>> 1 page.

GoPro i Shop i Mounts & Accessories, posted on Nov. 16, 2017, © 2018 GoPro, Inc. [online], [site visited Mar. 16, 2018]. Available from Internet, <URL: <https://shop.gopro.com/mounts-accessories/>> (13 Pgs).

GoPro The Frame for HERO5 Black. [online] Published date unknown. Retrieved on Oct. 26, 2016 from <URL: <https://www.bhphotovideo.com/c/product/1274422-REG/gopro.sub.--aafm.sub.--001.sub.--frame.sub.--for.sub.--hero5.html>>. 3 pages.

GoPro, “Karma Stabilizer,” Date Unknown, two pages. [Online] [Retrieved Nov. 2, 2016] Retrieved from the internet <<http://shop.gopro.com/accessories-2/karma-stabilizer/AGMBL-001.html>>. (2 pages).

Linxv i Action Camera Accessories i Action Camera Strap, posted on Jun. 4, 2016, © 2012 Avada [online], [site visited Mar. 16, 2018]. Available from Internet, <URL: <http://www.linxv.com/action-camera-accessories/action-camera-strap/>> (4 Pgs).

Silicon Sleeve Cases for the Frame of Your GoPro Hero 5 , retrieved from URL: <https://www.amazon.com/Silicone-Sleeve-Cases-Frame-GoPro/dp/B01NCQ3GOY>, retrieved Mar. 30, 2018 (6 pages).

Silicon Sleeve for GoPro Her04 Housing—Gocase, retrieved from URL: <https://www.gocase.com/products/silicon-sleeve-for-gopro-hero4-housing>, retrieved Mar. 30, 2018 (2 pages).

Silicone Sleeve Cases for The Frame of your GoPro Hero 5 (1x Frame / 1x Camera Case, Blue + Black), URL: https://www.amazon.com/dp/B01MR00OPJ/ref=asc_df_B01MR00OPJ5357481/?tag=hyprod-20&creative=395033&creativeASIN=B01MR00OPJ&linkCode=df0&hvadid=167139098072&hvpos=1o1&hvnetw=g&hvrand=8248390090609077295&hvpone=&hvptwo=&hvqmt=&hvdev=c&hvdvmdl=&hvlocint=&hvlocphy=1014237&hvtargid=pla-332273337114, retrieved Mar. 30, 2018 (6 pages).

Suction Cup & Locking Arm. Online, published date unknown. Retrieved on Jan. 11, 2018 from URL: <https://joby.com/suction-cup-with-locking-arm> (1 page).

The Frame. [online] Published date unknown. Retrieved on Oct. 24, 2016 from <URL: <http://shop.gopro.com/accessories-2/the-frame/ANDFR-302.html>>. 3 pages.

United States Office Action, U.S. Appl. No. 29/548,666, dated Nov. 17, 2016, 8 pages.

* cited by examiner

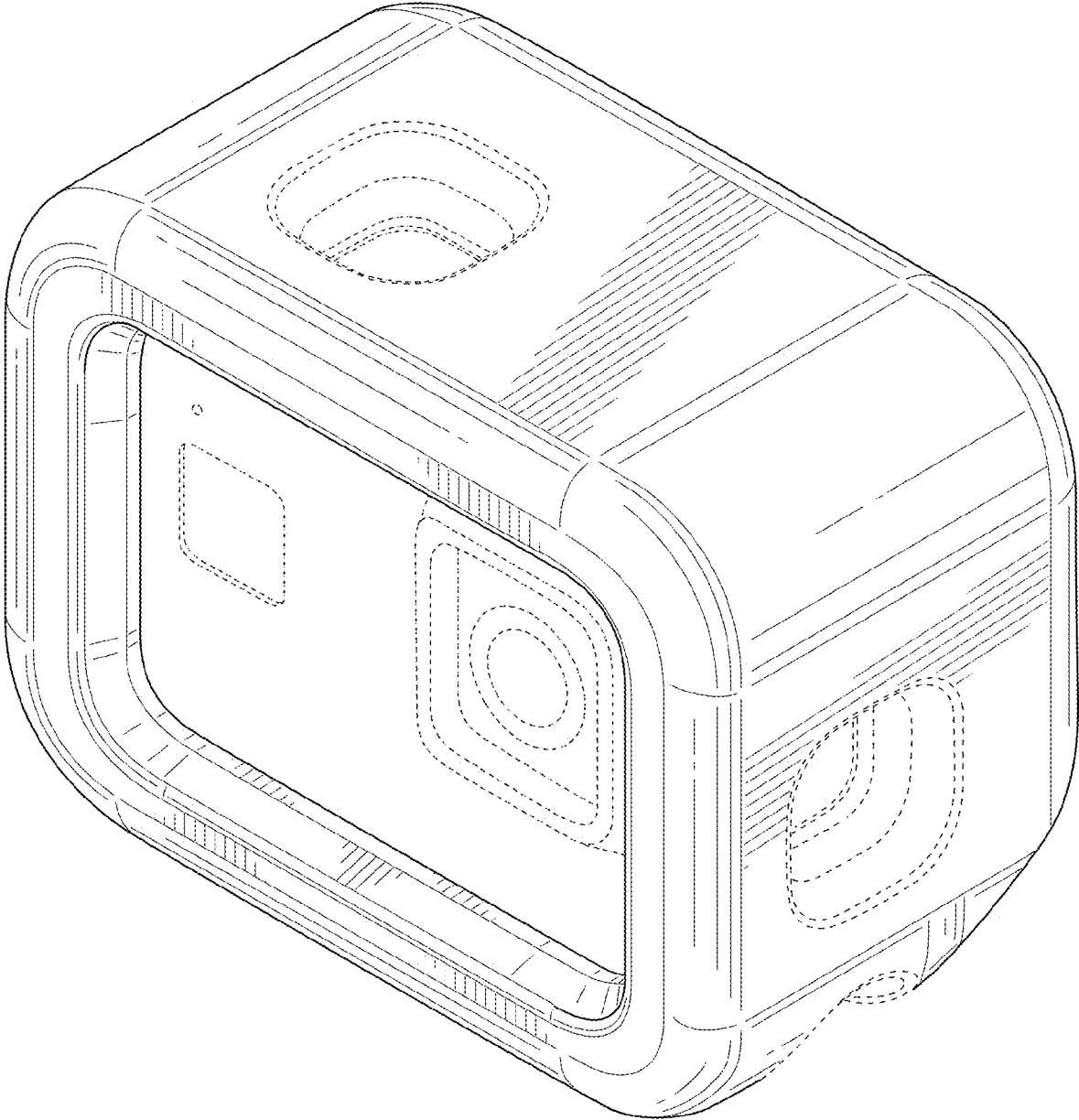


FIG. 1

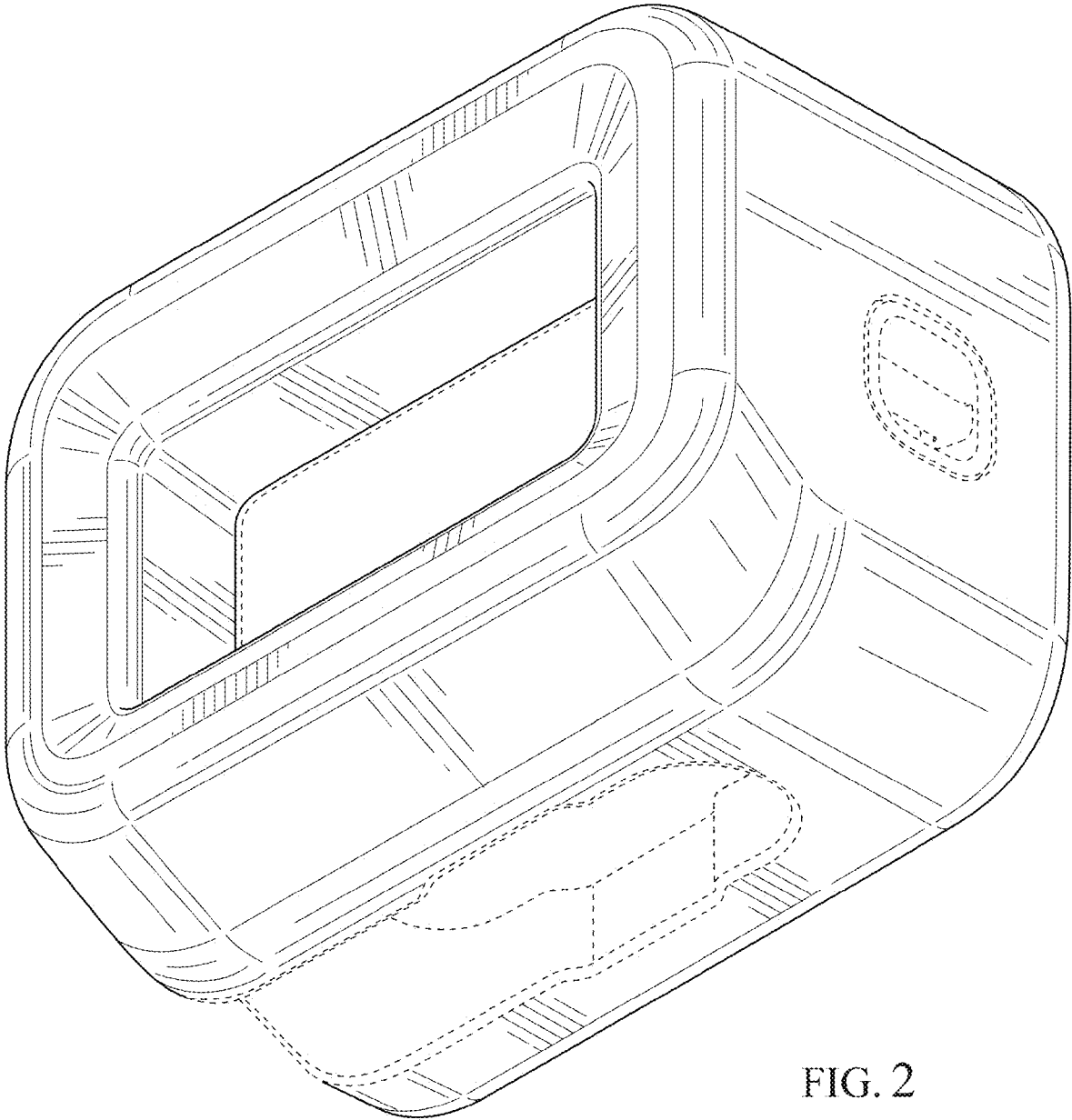


FIG. 2

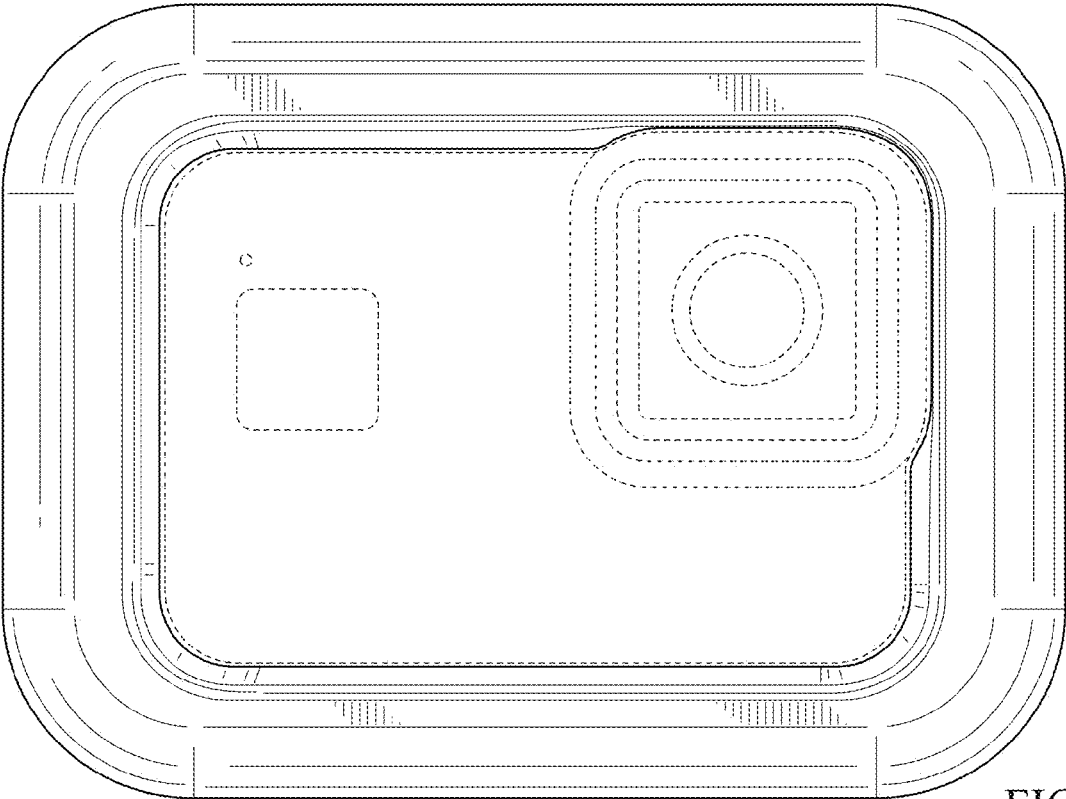


FIG. 3

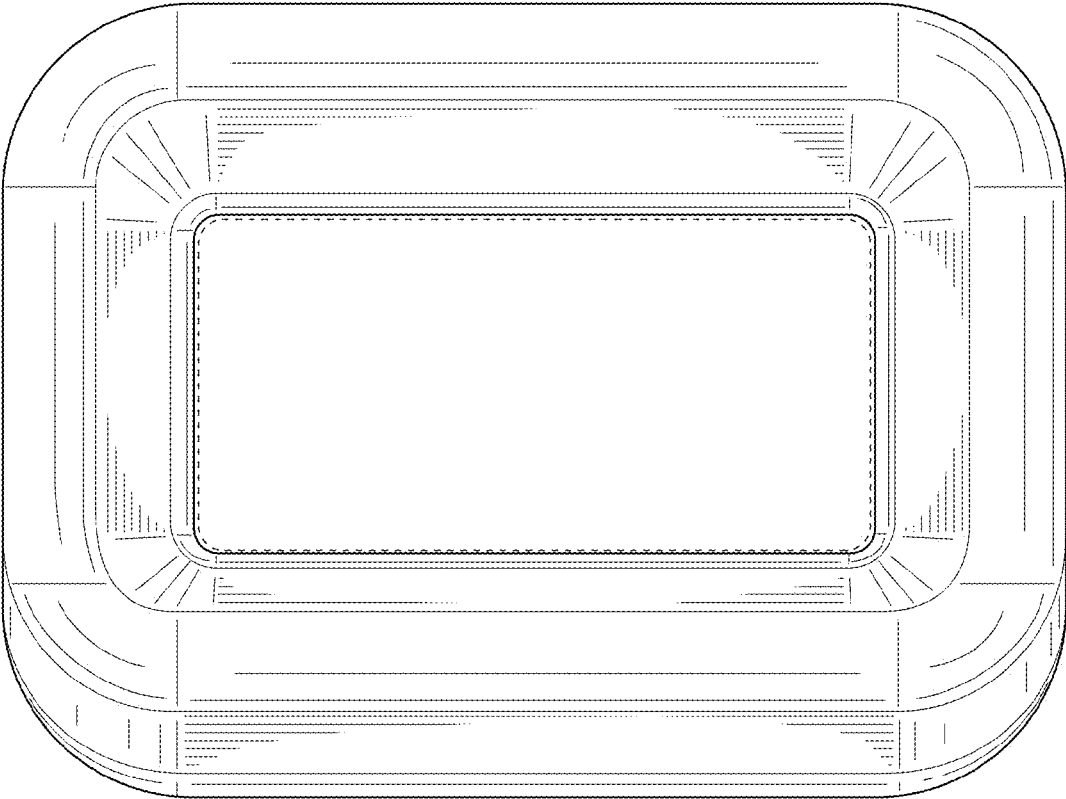


FIG. 4

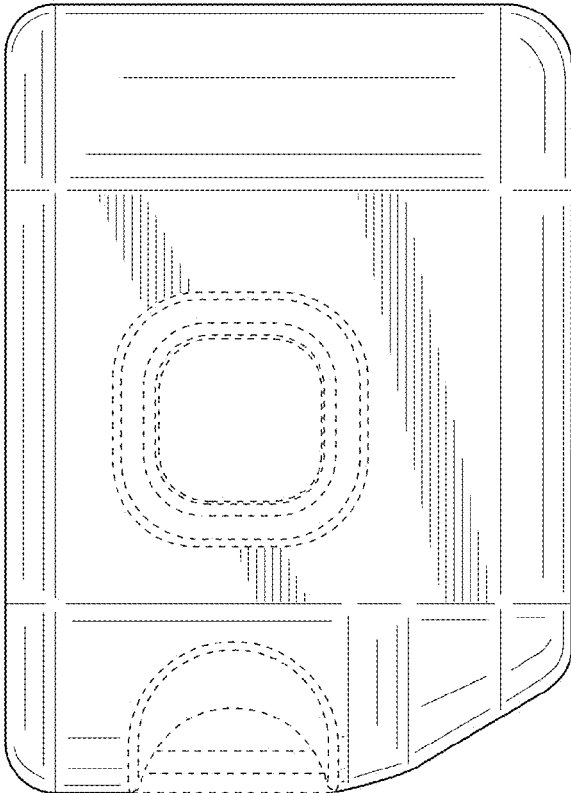


FIG. 5

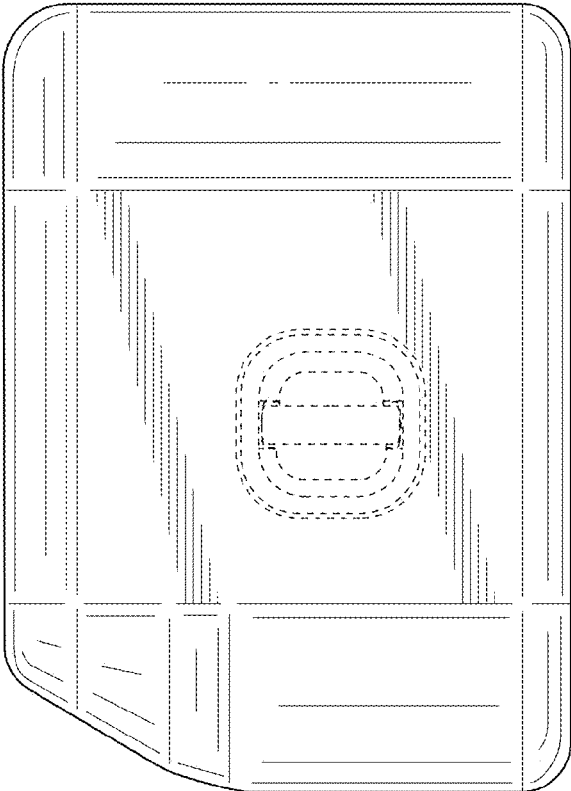


FIG. 6

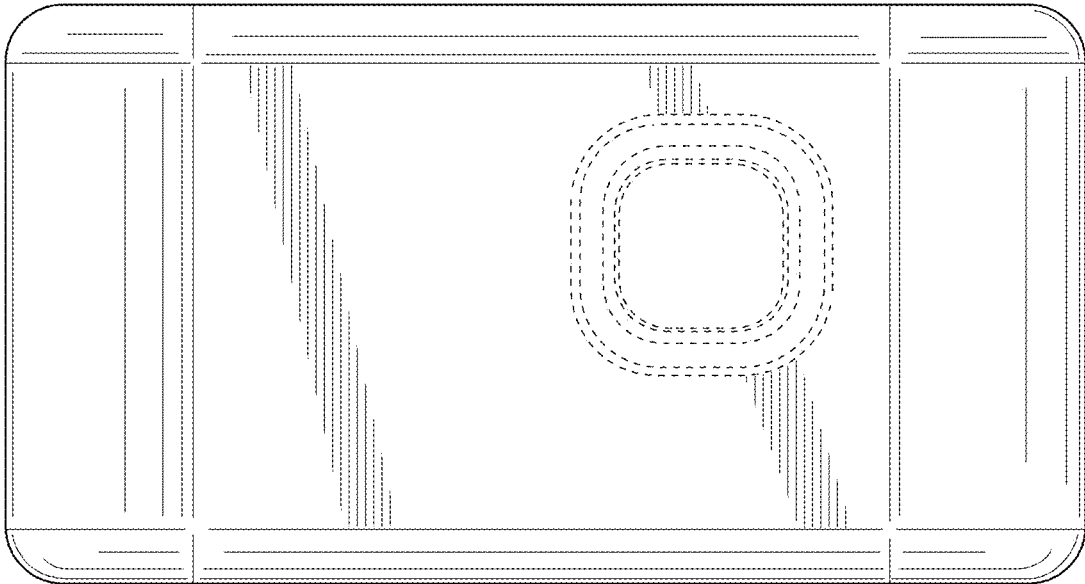


FIG. 7

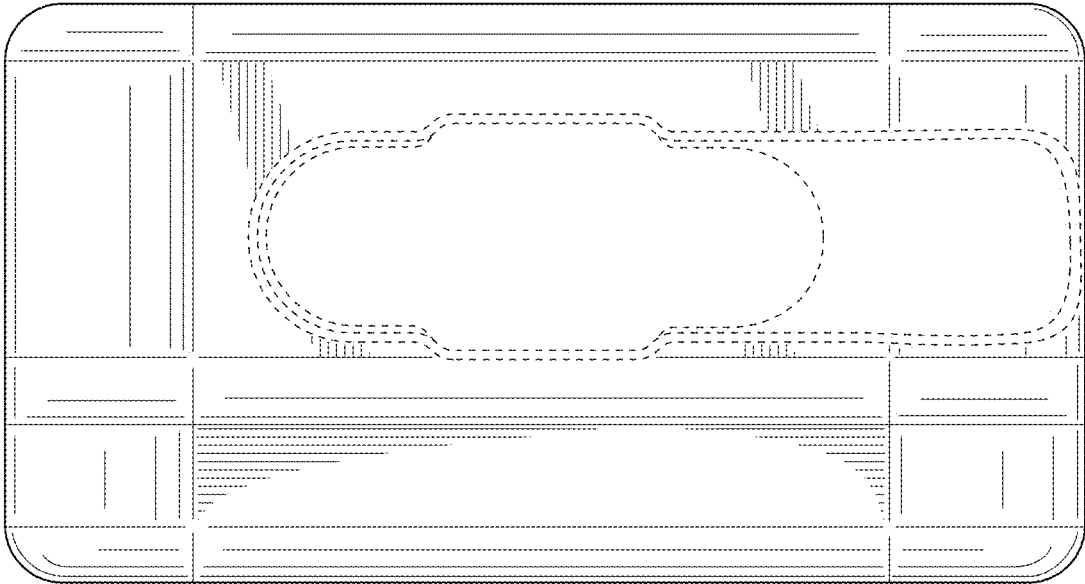


FIG. 8