



US00D797219S

(12) **United States Design Patent** (10) **Patent No.:** **US D797,219 S**
Horita et al. (45) **Date of Patent:** **** Sep. 12, 2017**

(54) **FOOT PAD OF AN EXERCISE DEVICE**
(71) Applicant: **Precor Incorporated**, Woodinville, WA (US)
(72) Inventors: **Sean K. Horita**, Woodinville, WA (US); **Elijah E. Hooper**, Seattle, WA (US)
(73) Assignee: **Precor Incorporated**, Woodinville, WA (US)
(**) Term: **15 Years**

D408,477 S 4/1999 Arnold et al.
D410,978 S 6/1999 Littrell et al.
D429,781 S 8/2000 Arnold et al.
6,123,650 A 9/2000 Birrell
6,146,313 A 11/2000 Whan-tong et al.
6,165,107 A 12/2000 Birrell
6,238,321 B1 5/2001 Arnold et al.
D449,356 S 10/2001 Arnold et al.
D464,688 S 10/2002 May et al.
D464,689 S 10/2002 May et al.
D465,000 S 10/2002 Arnold et al.
6,482,130 B1 11/2002 Pasero et al.
6,749,540 B1 6/2004 Pasero et al.

(Continued)

(21) Appl. No.: **29/581,985**
(22) Filed: **Oct. 24, 2016**
(51) **LOC (10) Cl.** **21-02**
(52) **U.S. Cl.**
USPC **D21/694**
(58) **Field of Classification Search**
USPC .. 482/51-52, 54, 57, 66, 68, 70, 72, 79, 80;
D21/662-663, 665-671, 673, 685, 694,
D21/696-697; D2/896, 908, 946, 951,
D2/977; D20/10, 11, 13, 22, 23;
D12/400, 414; D11/6, 86
CPC A63B 2071/0694; A63B 2208/0204
See application file for complete search history.

OTHER PUBLICATIONS

Gymsource "Precor® EFX 833 Experience Series Elliptical Fitness Crosstrainer", <https://www.gymsource.com/equipment/precor-efx-833-experience-series-elliptical-fitness-crosstrainer>. Jul. 18, 2017. shown in p. 1, Item # PR-EFX833.*

Primary Examiner — Cynthia Ramirez
Assistant Examiner — Michael Maharajh
(74) *Attorney, Agent, or Firm* — Terence P. O'Brien

(57) **CLAIM**

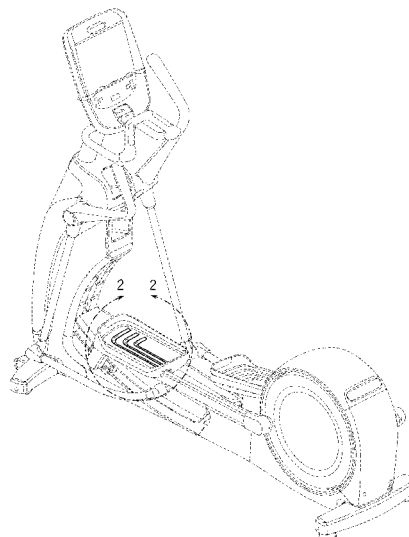
We claim the ornamental design for a foot pad of an exercise device, as shown and described.

DESCRIPTION

FIG. 1 a side, top perspective view of a foot pad of an exercise device;
FIG. 2 is a close-up, perspective view of the foot pad of the exercise device of FIG. 1; and,
FIG. 3 is a top plan view of the foot pad of the exercise device of FIG. 2.
The ornamental design that is claimed is shown in solid lines in the drawings. The evenly spaced broken lines shown in the figures are for the purpose of showing environment and form no part of the claimed design.

1 Claim, 2 Drawing Sheets

(56) **References Cited**
U.S. PATENT DOCUMENTS
D302,451 S 7/1989 Bull et al.
D303,695 S 9/1989 Smith et al.
D304,358 S 10/1989 Armstrong et al.
D314,597 S 2/1991 Armstrong et al.
D321,229 S 10/1991 Dalton et al.
D328,625 S 8/1992 Arthur et al.
D328,770 S 8/1992 Henderson et al.
D333,688 S * 3/1993 Beyer D21/694
D372,282 S 7/1996 Pasero et al.
5,685,804 A 11/1997 Whan-Tong et al.
D388,847 S 1/1998 Whan-tong et al.



(56)

References Cited

U.S. PATENT DOCUMENTS

6,752,744 B2	6/2004	Arnold et al.	D690,375 S	9/2013	Horita	
6,939,271 B1	9/2005	Whan-tong et al.	D690,784 S	10/2013	Horita	
D559,925 S	1/2008	Horita	8,556,779 B2	10/2013	Grind	
D565,130 S *	3/2008	Olson D21/670	D703,278 S	4/2014	Horita	
D567,313 S	4/2008	Horita	9,468,795 B2	10/2016	Arnold et al.	
D567,314 S	4/2008	Horita	D785,730 S *	5/2017	Huang	D21/670
D567,315 S	4/2008	Horita	2005/0164835 A1 *	7/2005	Porth	A63B 22/001
D575,363 S	8/2008	Horita				482/52
D575,837 S	8/2008	Horita	2012/0190507 A1 *	7/2012	Murray	A63B 22/001
D594,072 S	6/2009	Horita				482/52
D600,293 S	9/2009	Horita	2013/0237379 A1 *	9/2013	Huang	A63B 22/001
D606,599 S *	12/2009	Murray D21/668				482/52
7,691,034 B2	4/2010	May et al.	2014/0221166 A1 *	8/2014	Huang	A63B 22/001
7,704,192 B2	4/2010	Dyer et al.				482/52
7,731,634 B2	6/2010	Stewart et al.	2014/0243157 A1 *	8/2014	Huang	A63B 22/001
7,758,472 B2	7/2010	Stewart				482/52
7,922,625 B2	4/2011	Grind	2015/0080188 A1 *	3/2015	Chuang	A63B 22/0664
8,419,598 B2	4/2013	Dyer et al.				482/52
D687,911 S	8/2013	Horita	2015/0119201 A1 *	4/2015	Chang	A63B 22/001
						482/52

* cited by examiner

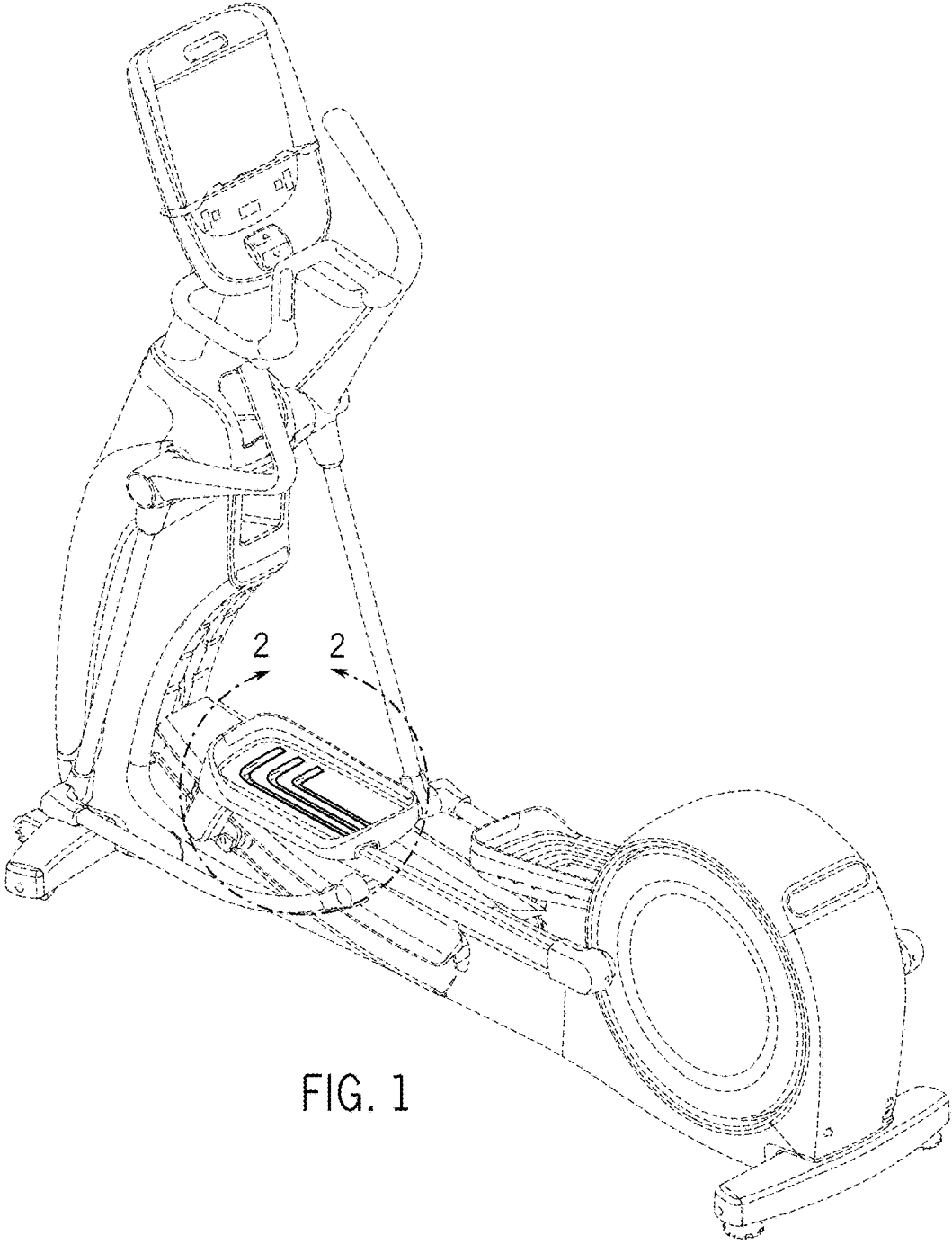


FIG. 1

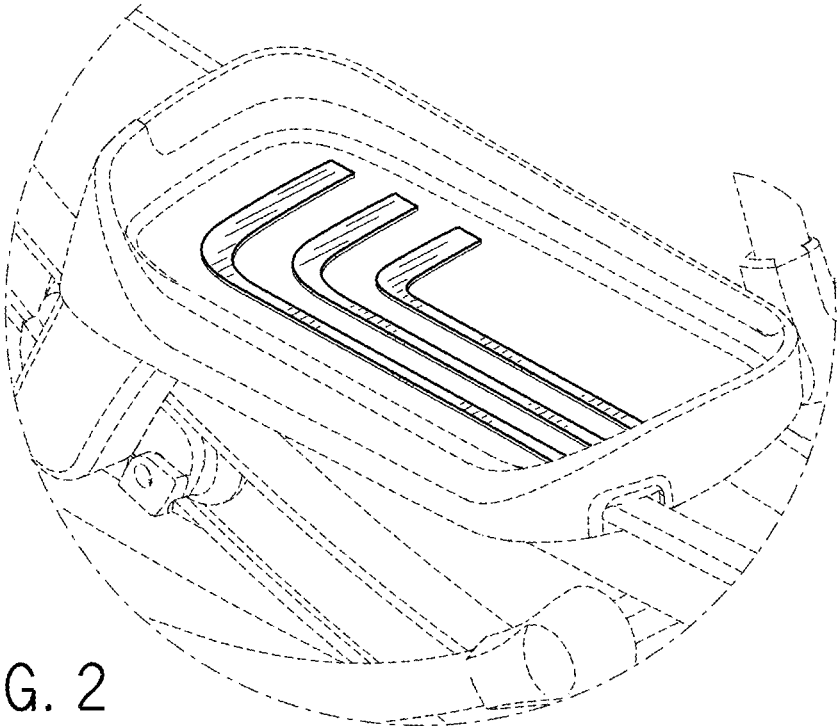


FIG. 2

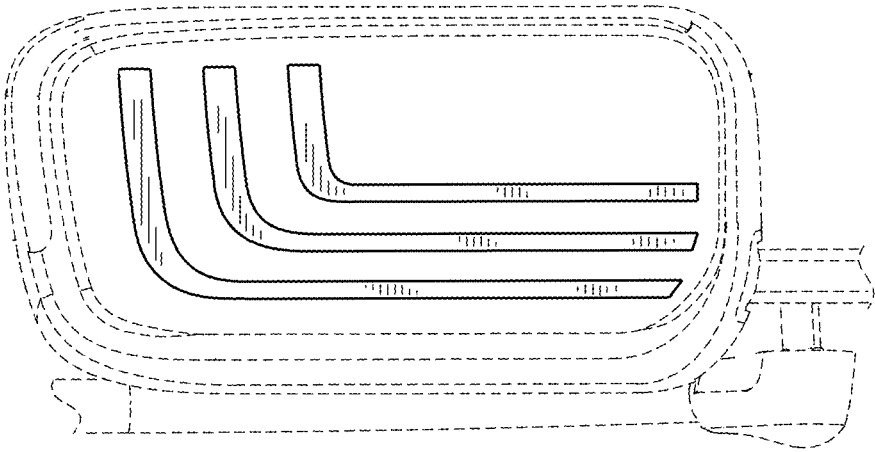


FIG. 3