



(12) **United States Design Patent**  
**Blosser et al.**

(10) **Patent No.:** **US D995,689 S**  
(45) **Date of Patent:** **\*\* Aug. 15, 2023**

- (54) **BLADE**
- (71) Applicant: **FeraDyne Outdoors, LLC**, Superior, WI (US)
- (72) Inventors: **Benjamin D. Blosser**, Corydon, KY (US); **Jon Arthur Syverson**, Cloquet, MN (US)
- (73) Assignee: **FeraDyne Outdoors, LLC**, Superior, WI (US)
- (\*\*) Term: **15 Years**
- (21) Appl. No.: **29/735,946**
- (22) Filed: **May 26, 2020**

**Related U.S. Application Data**

- (60) Division of application No. 29/666,819, filed on Oct. 16, 2018, now Pat. No. Des. 894,312, which is a continuation of application No. 16/161,713, filed on Oct. 16, 2018, now Pat. No. 10,458,763.
- (60) Provisional application No. 62/574,168, filed on Oct. 18, 2017.
- (51) **LOC (14) Cl.** ..... **22-01**
- (52) **U.S. Cl.** ..... **D22/107**  
USPC ..... **D22/107**
- (58) **Field of Classification Search**  
USPC ..... D22/107  
CPC .... F42B 6/04; F42B 6/08; F42B 6/003; F42B 6/02; F42B 12/362; F42B 12/34  
See application file for complete search history.

- (56) **References Cited**  
U.S. PATENT DOCUMENTS

D894,312 S *	8/2020	Blosser .....	F42B 6/08 D22/107
10,746,514 B1 *	8/2020	Stacy .....	F42B 6/08
D914,127 S *	3/2021	Haas .....	F42B 6/08 D22/115
D926,281 S *	7/2021	Blosser .....	D22/107
D930,103 S *	9/2021	Blosser .....	D22/107
11,236,977 B1 *	2/2022	Sullivan .....	F42B 6/08
2016/0047637 A1 *	2/2016	Salvino .....	F42B 6/08 473/583
2018/0245892 A1 *	8/2018	Haas .....	F42B 6/08
2022/0394960 A1 *	12/2022	Hughey .....	A01K 81/04

\* cited by examiner

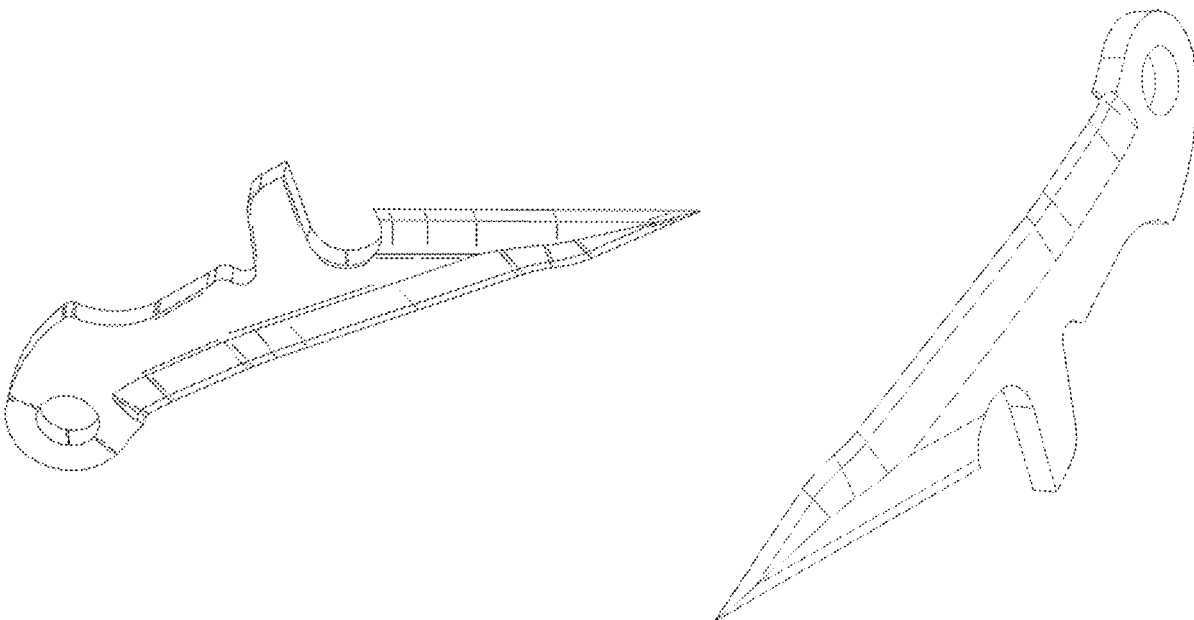
*Primary Examiner* — Michael A. Pratt  
(74) *Attorney, Agent, or Firm* — Greenberg Traurig, LLP

- (57) **CLAIM**  
The ornamental design of a blade, as shown and described.

**DESCRIPTION**

FIG. 1 is a perspective view of a blade;  
FIG. 2 is another perspective view of the blade illustrated in FIG. 1;  
FIG. 3 is an edge view of the blade illustrated in FIG. 1 (viewing into the longer cutting edge);  
FIG. 4 is an edge view opposite the view illustrated in FIG. 3 (i.e., viewing into the shorter cutting edge); and,  
FIG. 5 is a plan view of the blade illustrated in FIG. 1.

**1 Claim, 2 Drawing Sheets**



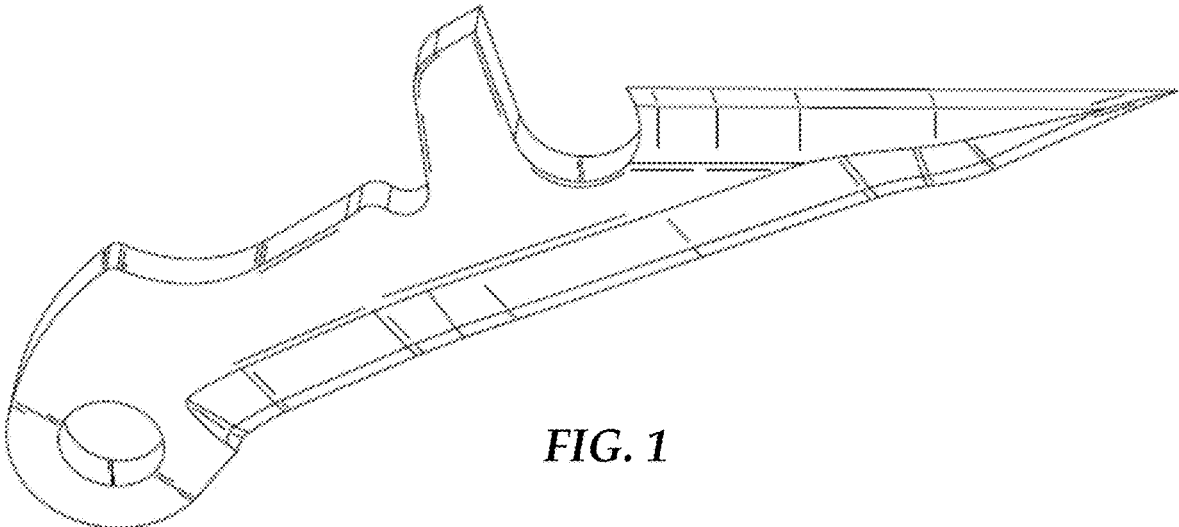


FIG. 1

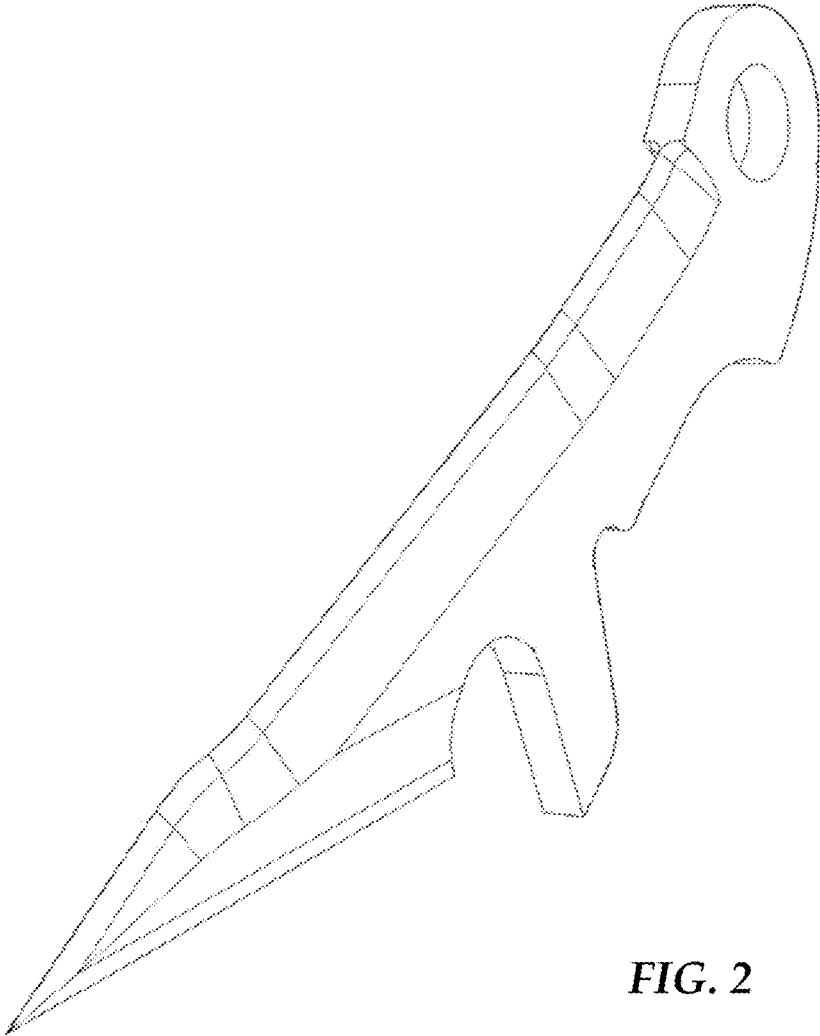


FIG. 2



FIG. 3

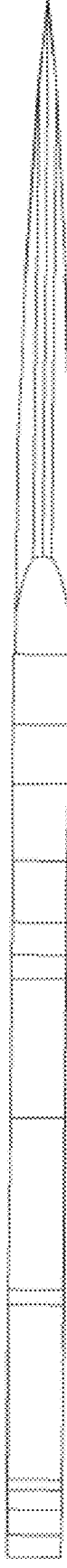


FIG. 4

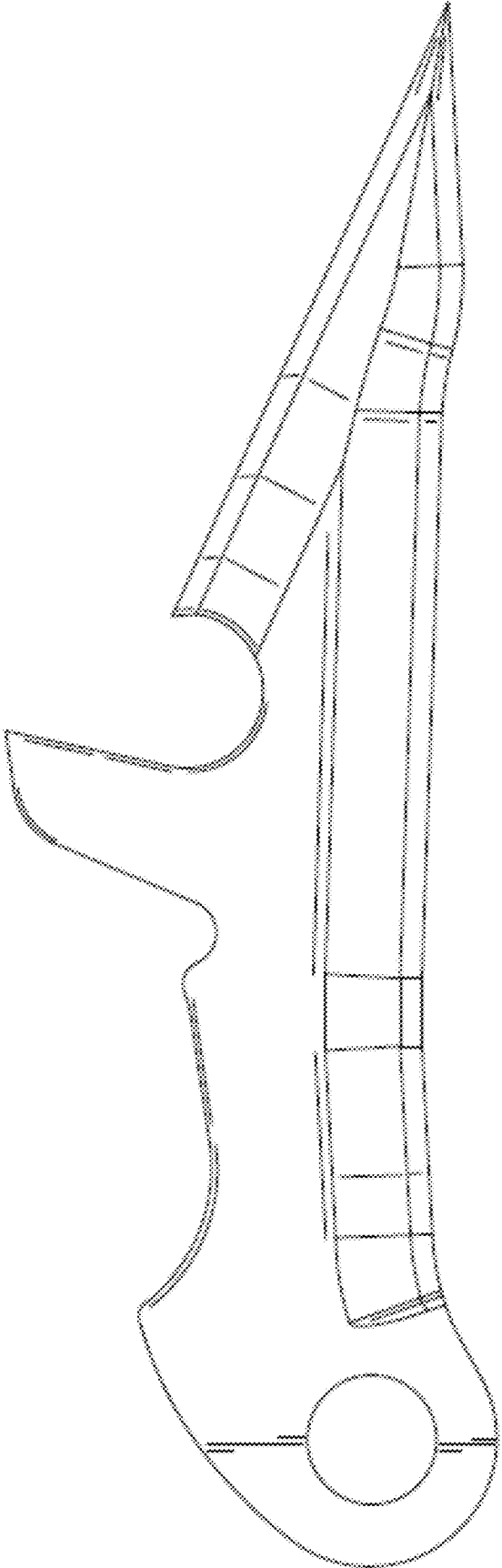


FIG. 5