

[54] SCANNING CAMERA

[75] Inventor: Douglas C. Dayton, Cambridge, Mass.

[73] Assignee: Wang Laboratories, Inc., Lowell, Mass.

[\*\*] Term: 14 Years

[21] Appl. No.: 537,613

[22] Filed: Sep. 30, 1983

[52] U.S. Cl. .... D16/27; D16/2

[58] Field of Search ..... D16/1, 2, 27; 354/80, 354/81, 82; 355/64, 65, 75, 76

[56] References Cited

U.S. PATENT DOCUMENTS

D. 190,105	4/1961	Wang	.....	D16/27
D. 199,212	9/1964	Vigna	.....	D16/27
D. 211,419	6/1968	Scott	.....	D16/27
D. 256,127	7/1980	Overman	.....	D16/2
D. 276,815	12/1984	Kando	.....	D16/27
3,442,588	5/1969	Squassoni	.....	354/80 X
3,981,582	9/1976	Bookless	.....	355/64
4,029,412	6/1977	Spence-Bate	.....	355/64

OTHER PUBLICATIONS

*The Office*—9/73—p. 34—Microfiche Camera at bottom—right.

*The Office*—6/73—p. 119—Processor—Camera at bottom.

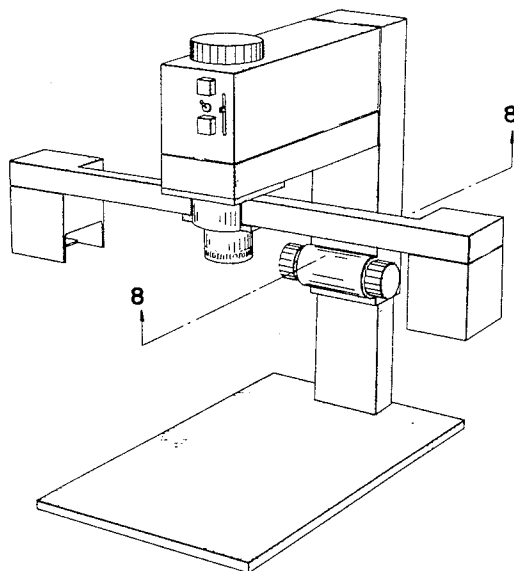
Primary Examiner—Nelson C. Holtje  
Attorney, Agent, or Firm—Michael H. Shanahan;  
Kenneth L. Milik

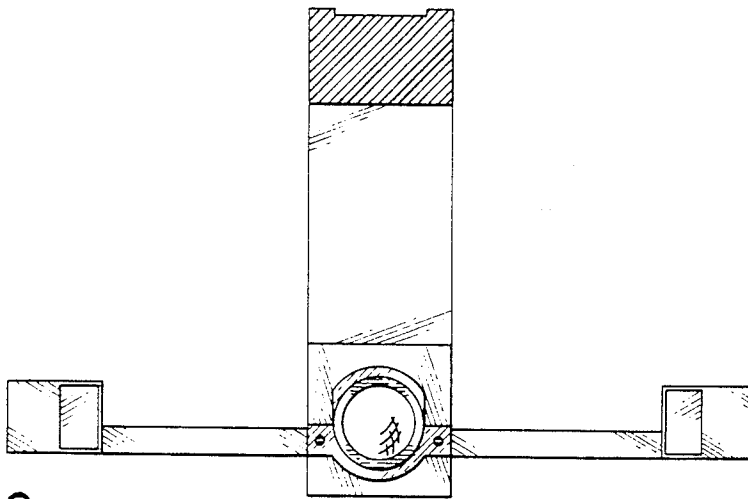
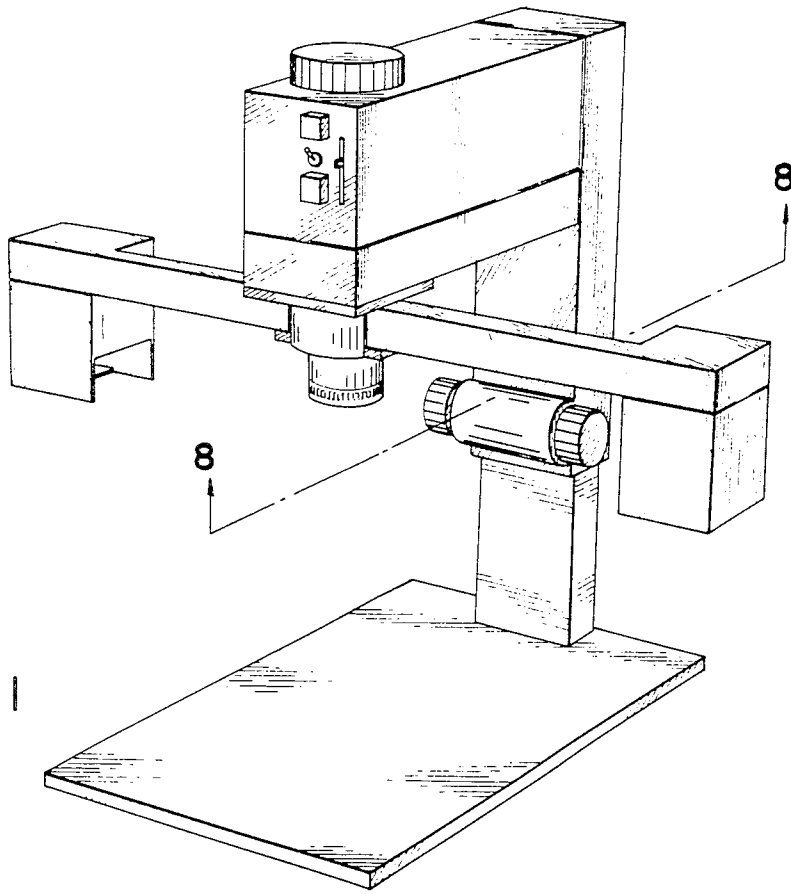
[57] CLAIM

The ornamental design for a scanning camera, as shown and described.

DESCRIPTION

FIG. 1 is a top and right front perspective view of a scanning camera showing my new design in the raised and lamp extended position;  
 FIG. 2 is a front elevational view thereof;  
 FIG. 3 is a rear elevational view thereof;  
 FIG. 4 is a top plan view thereof;  
 FIG. 5 is a right side elevational view thereof;  
 FIG. 6 is a left side elevational view thereof;  
 FIG. 7 is a bottom plan view thereof;  
 FIG. 8 is a cross-sectional view thereof as taken from line 8—8 of FIG. 1;  
 FIG. 9 is a top and right front perspective view of the design of FIGS. 7-8 in its lowered position with lamps folded;  
 FIG. 10 is a front elevational view thereof;  
 FIG. 11 is a rear elevational view thereof;  
 FIG. 12 is a top plan view thereof;  
 FIG. 13 is a right side elevational view thereof;  
 FIG. 14 is a left side elevational view thereof;  
 FIG. 15 is a bottom plan view thereof;  
 FIG. 16 is a cross-sectional view thereof as taken from line 16—16 of FIG. 9.





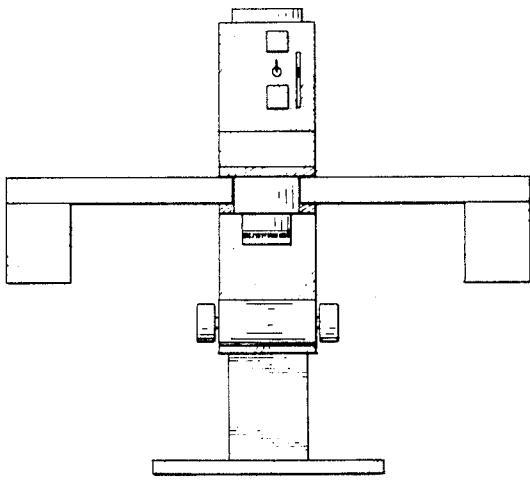


FIG 2

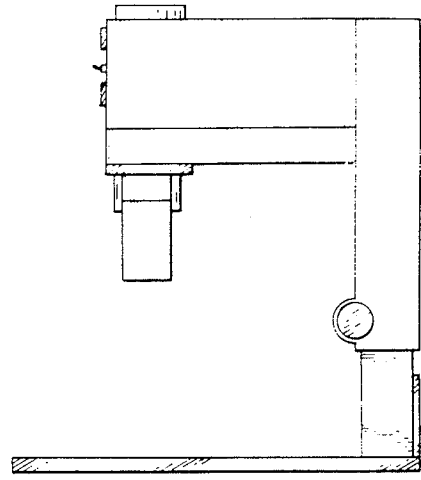


FIG 5

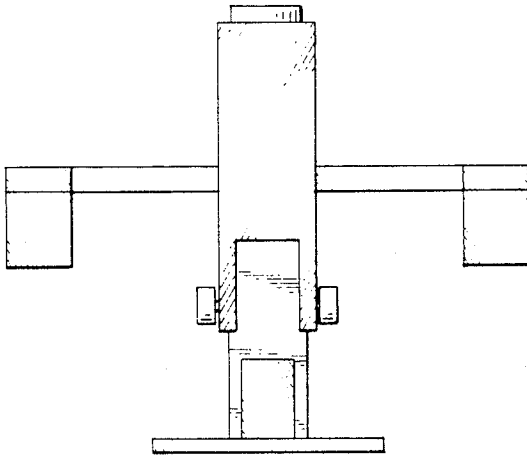


FIG 3

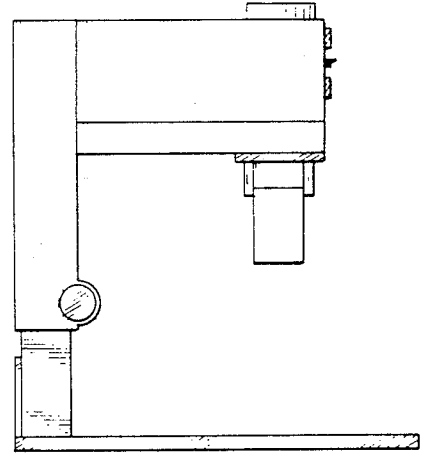


FIG 6

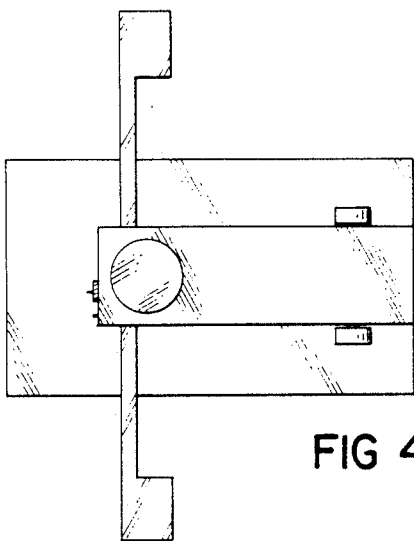


FIG 4

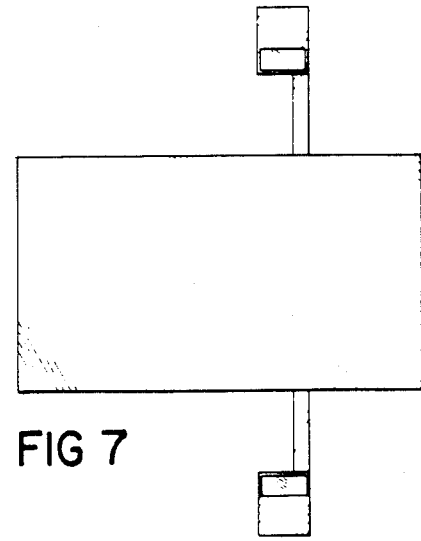


FIG 7

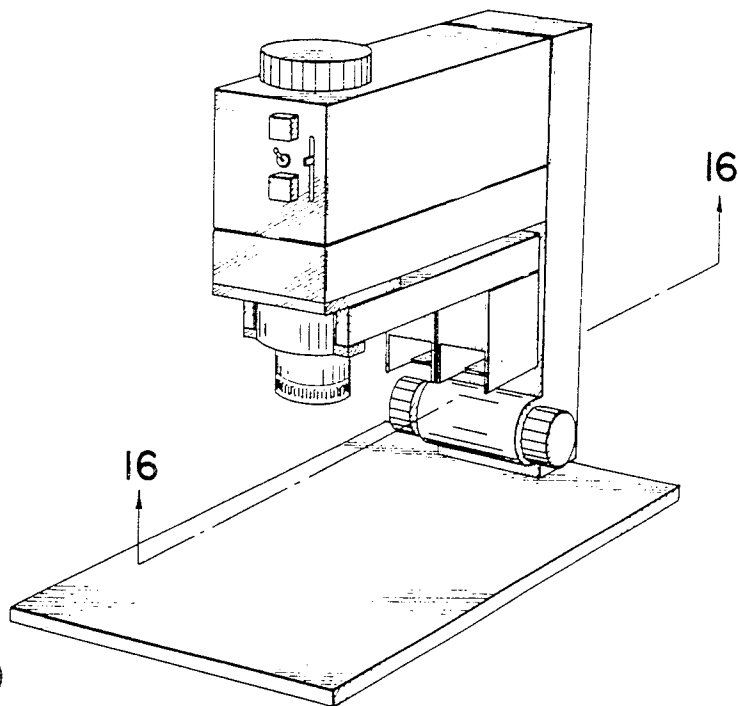


FIG 9

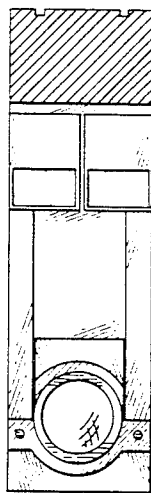


FIG 16

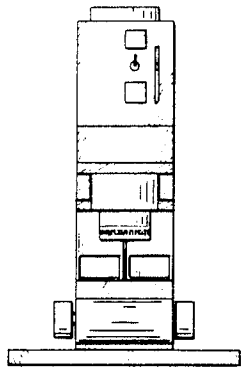


FIG 10

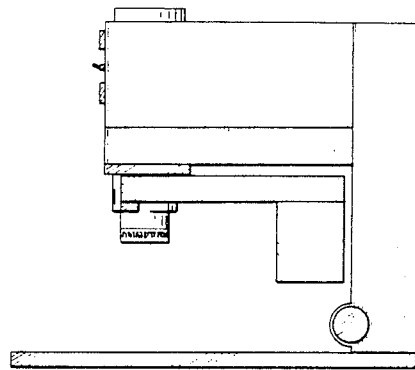


FIG 13

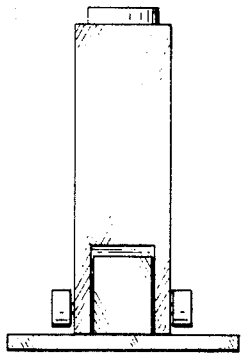


FIG 11

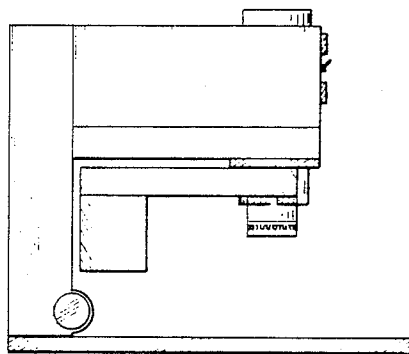


FIG 14

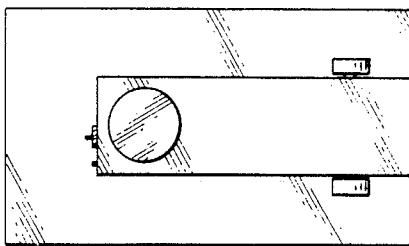


FIG 12

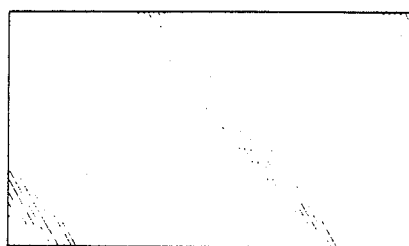


FIG 15