



US00D404236S

# United States Patent [19]

[11] Patent Number: Des. 404,236

Bergwall et al.

[45] Date of Patent: \*\*Jan. 19, 1999

[54] WORK-FLOORMAT MADE OF RUBBER

348,782 9/1886 Sawyer ..... D6/582  
5,212,842 5/1993 Glydon ..... 5/417

[75] Inventors: Ulf Anders Bergwall, Karlstad;  
Thomas Ulf Persson, Sunne, both of  
Sweden

Primary Examiner—Lisa Lichtenstein  
Attorney, Agent, or Firm—Jacobson, Price, Holman &  
Stern, PLLC

[73] Assignee: Nolato Sunnex Equipment AB, Sunne,  
Sweden

### [57] CLAIM

[\*\*] Term: 14 Years

The ornamental design for a work-floormat made of rubber,  
as shown.

[21] Appl. No.: 75,218

### DESCRIPTION

[22] Filed: Aug. 21, 1997

### [30] Foreign Application Priority Data

Feb. 24, 1997 [SE] Sweden ..... 97-0431

FIG. 1 is a top perspective view showing my new design for  
a work-floormat made of rubber;

[51] LOC (6) Cl. .... 06-11

FIG. 2 is an enlarged cross-sectional view taken along lines  
1—1 of FIG. 1;

[52] U.S. Cl. .... D6/582

FIG. 3 is an enlarged cross-sectional view taken along lines  
2—2 of FIG. 1;

[58] Field of Search ..... D6/582, 583, 595,  
D6/596; 15/215, 216, 217; 5/417—420,  
902

FIG. 4 is an enlarged cross-sectional view taken along lines  
3—3 of FIG. 1;

FIG. 5 is an enlarged cross-sectional view taken along lines  
4—4 of FIG. 1; and

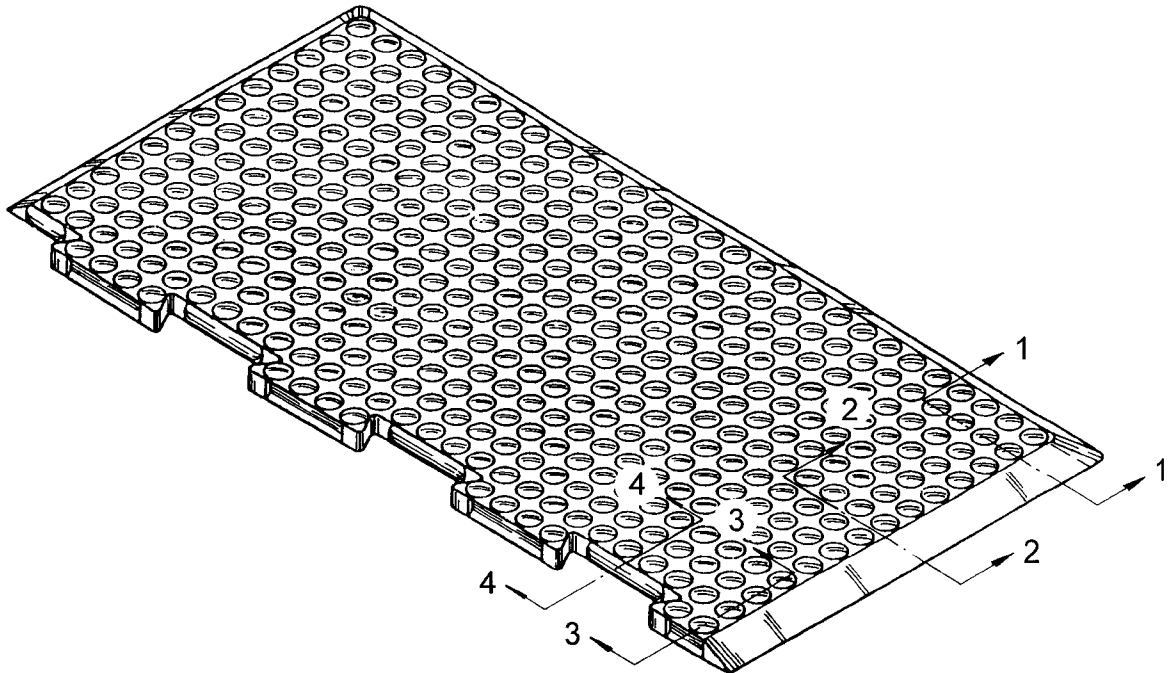
FIG. 6 is a bottom perspective view thereof.

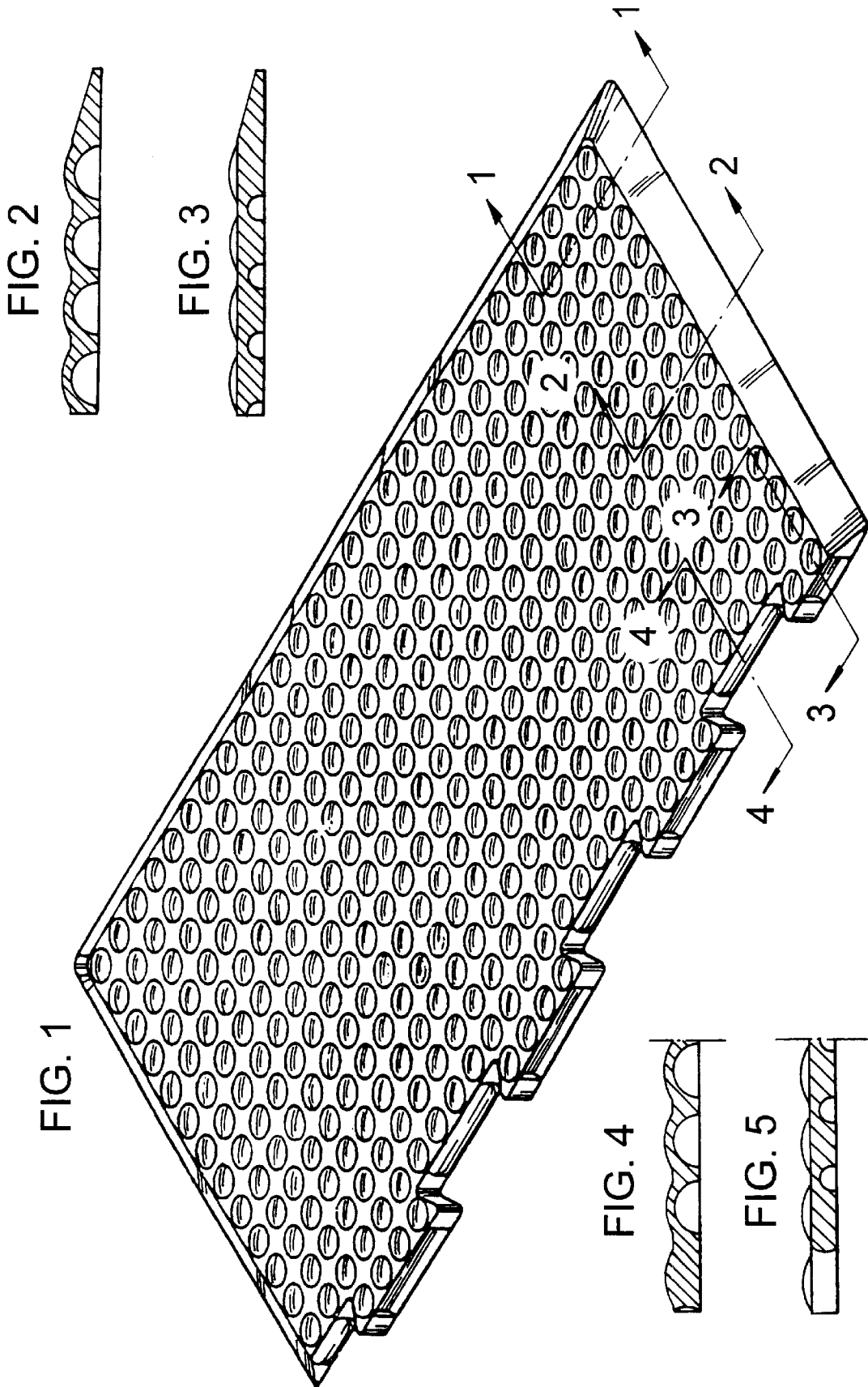
### [56] References Cited

#### U.S. PATENT DOCUMENTS

D. 222,101 9/1971 Gordon ..... D6/583

1 Claim, 2 Drawing Sheets





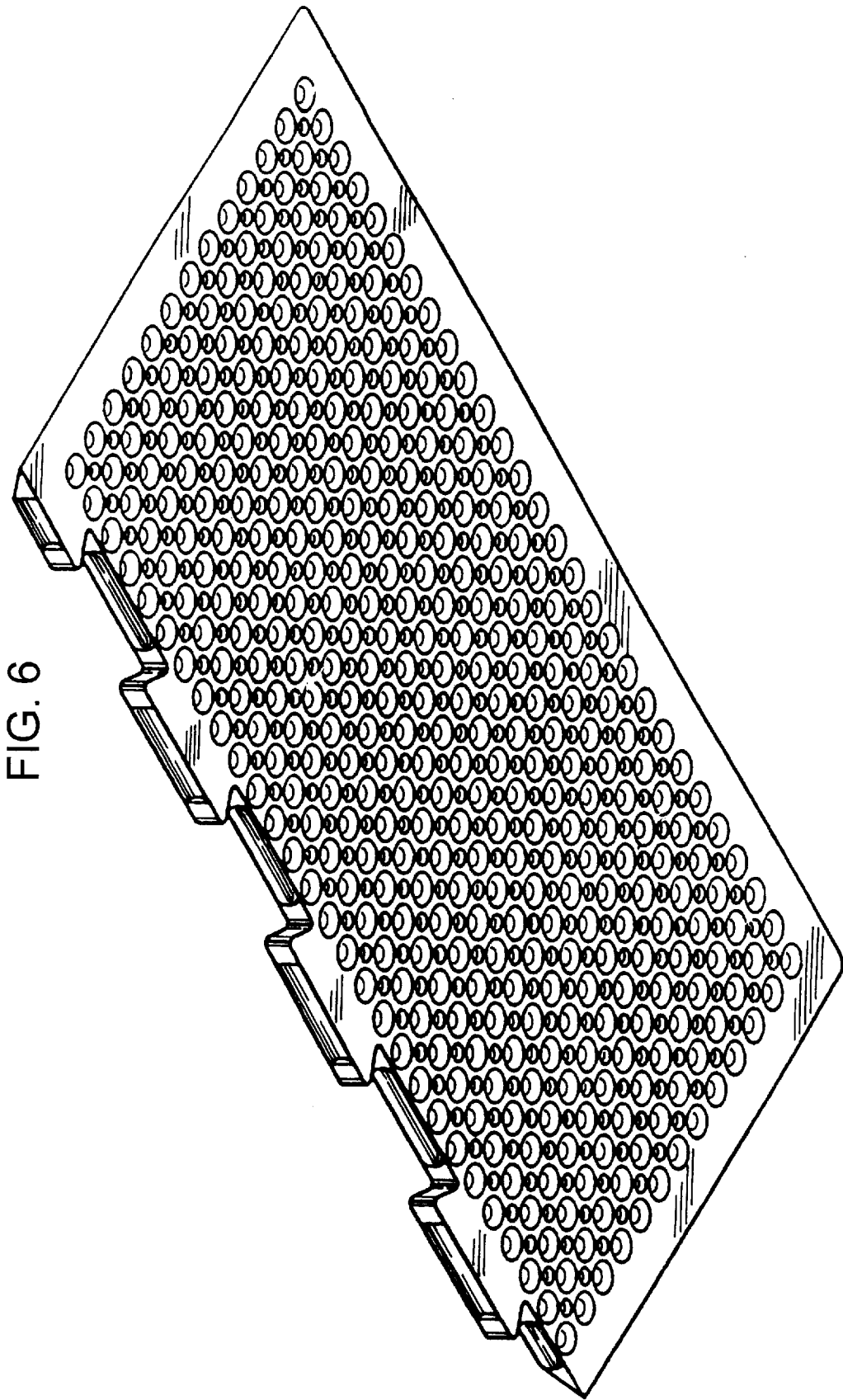


FIG. 6