



US00D790100S

(12) **United States Design Patent**  
**Jadhav**

(10) **Patent No.:** **US D790,100 S**  
(45) **Date of Patent:** **\*\* Jun. 20, 2017**

(54) **LIGHT PROJECTION DEVICE**

OTHER PUBLICATIONS

(71) Applicant: **E. Mishan & Sons, Inc.**, New York, NY (US)

HBLED10A—RAB Lighting—<https://www.rabweb.com/product.php?product=HBLED10A>.

(72) Inventor: **Rajesh Jadhav**, Shenzhen (CN)

RAB Lighting HBLED10A LFLOOD 10W Cool LED Bullet W/ Hood & Lens Bronze—<http://www.bonanza.com/listings/Rab-Lighting-Hbled10-A-Lflood-10-W-Cool-Led-Bullet-W-H...>

(73) Assignee: **E. Mishan & Sons, Inc.**, New York, NY (US)

(Continued)

(\*\*) Term: **15 Years**

*Primary Examiner* — Brian N Vinson

(21) Appl. No.: **29/564,164**

(74) *Attorney, Agent, or Firm* — Notaro, Michalos & Zaccaria P.C.

(22) Filed: **May 11, 2016**

(57) **CLAIM**

(51) **LOC (10) Cl.** ..... **26-03**

The ornamental design for a light projection device, as shown and described.

(52) **U.S. Cl.**

USPC ..... **D26/63**

(58) **Field of Classification Search**

USPC ..... D26/1, 24, 61, 63, 65, 85, 92

CPC ..... F21V 21/14; F21V 15/01; F21V 14/02;

F21V 21/30; F21V 21/00; F21V 14/00;

F21S 8/00; F21S 8/003; F21S 8/043;

F21Y 2105/001

See application file for complete search history.

**DESCRIPTION**

FIG. 1 is a front, top, left perspective view of a light projection device showing my new design therefor;

FIG. 2 is a rear, top, right perspective view thereof;

FIG. 3 is a front elevational view thereof;

FIG. 4 is a rear elevational view thereof;

FIG. 5 is a left side elevational view thereof;

FIG. 6 is a right side elevational view thereof;

FIG. 7 is a top plan view thereof;

FIG. 8 is a bottom plan view thereof;

FIG. 9 is a front, top, left perspective view of a second embodiment of a light projection device showing my new design therefor;

FIG. 10 is a rear, top, right perspective view thereof;

FIG. 11 is a front elevational view thereof;

FIG. 12 is a rear elevational view thereof;

FIG. 13 is a left side elevational view thereof;

FIG. 14 is a right side elevational view thereof;

FIG. 15 is a top plan view thereof; and,

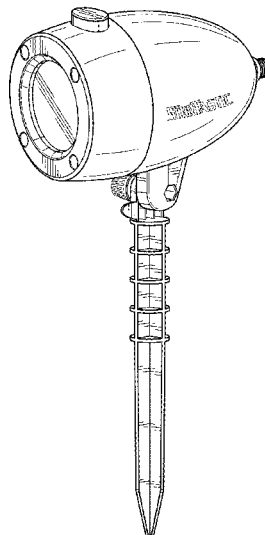
FIG. 16 is a bottom plan view thereof.

(56) **References Cited**

**U.S. PATENT DOCUMENTS**

5,599,091	A	2/1997	Kira	
D414,579	S *	9/1999	Denison	D26/63
7,182,472	B2	2/2007	Vitantonio et al.	
D542,959	S *	5/2007	Yao	D26/63
D559,091	S *	1/2008	Skorka	D8/367
7,357,520	B2	4/2008	Vitantonio et al.	
D574,532	S *	8/2008	Lee	D26/63
RE41,050	E	12/2009	Panasewicz et al.	
D625,871	S *	10/2010	Huang	D26/63
D659,871	S *	5/2012	Lee	D26/63
D745,202	S	12/2015	Guercio et al.	
D773,707	S *	12/2016	Lentine	D26/63
2010/0118536	A1	5/2010	Johnson	

**1 Claim, 14 Drawing Sheets**



(56)

**References Cited**

## OTHER PUBLICATIONS

Hubbell Lighting Hubbell Outdoor lighting 309-M51-ML Incandescent Bullet Lamp Holder Bronze—<http://www.sears.com/hubbell-lighting-hubbell-outdoor-lighting-309-m51-ml/p-SPM119167834>.

Pepnice Pepnice Red and Green Firefly Laser Light Sparkling Landscape Projector with Remote—<http://www.sears.com/pepnice-red-and-green-fireflylaserlight/p-SPM10715268325?prdNo=. . .>

Landscape Bullets—[www-1000bulbs-com-category-landscape-bullets-1463066444991](http://www-1000bulbs-com-category-landscape-bullets-1463066444991).

PAR38 Line Voltage Landscape Bullet Spotlight—[www-pegasuslighting-com-landscape-lighting-par38-line-voltage-landscape-bullet-spotlight-html](http://www-pegasuslighting-com-landscape-lighting-par38-line-voltage-landscape-bullet-spotlight-html).

Viatek LL03-RG-R Night Stars Premium Landscape Lighting Wah Remote . . . - [www-bhg-com-shop-viatek-viatek-1103-rg-r-night-stars-premium-landscape-lighting-with-remote-red-green](http://www-bhg-com-shop-viatek-viatek-1103-rg-r-night-stars-premium-landscape-lighting-with-remote-red-green).

Vista Pro 1001 Up and Accent Lights, Line Voltage 120-volt, LED Capable—[www-evergreensprinklers-com-vista\\_pro-1001-up-and-accent-lights-line-voltage-120-volt-led-capable-html](http://www-evergreensprinklers-com-vista_pro-1001-up-and-accent-lights-line-voltage-120-volt-led-capable-html).

Vista Pro 1009 Up and Accent Lights, Line Voltage 120 volt, Short Shroud—[http://www-evergreensprinklers-com-vista\\_pro-1009-up-and-accent-lights-line-voltage-120-volt-led-capable-short-shroud.html](http://www-evergreensprinklers-com-vista_pro-1009-up-and-accent-lights-line-voltage-120-volt-led-capable-short-shroud.html).

Commercial Outdoor LED Flagpole Lighting Fixture—<http://synergylightingusa.com/supply/fixtures/flagpole-led-13/>.

\* cited by examiner

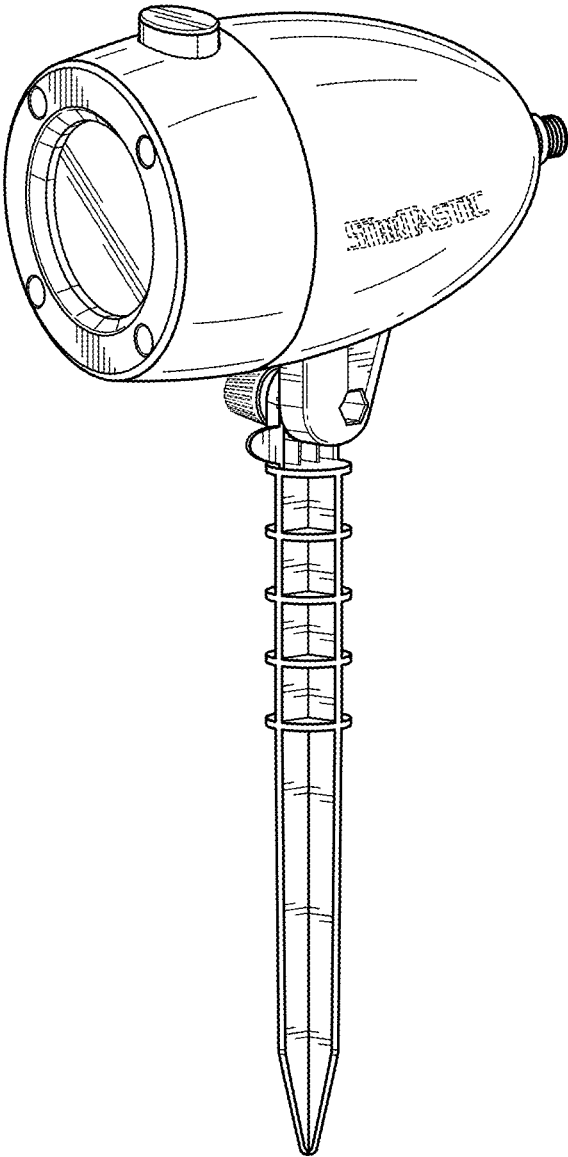


FIG. 1

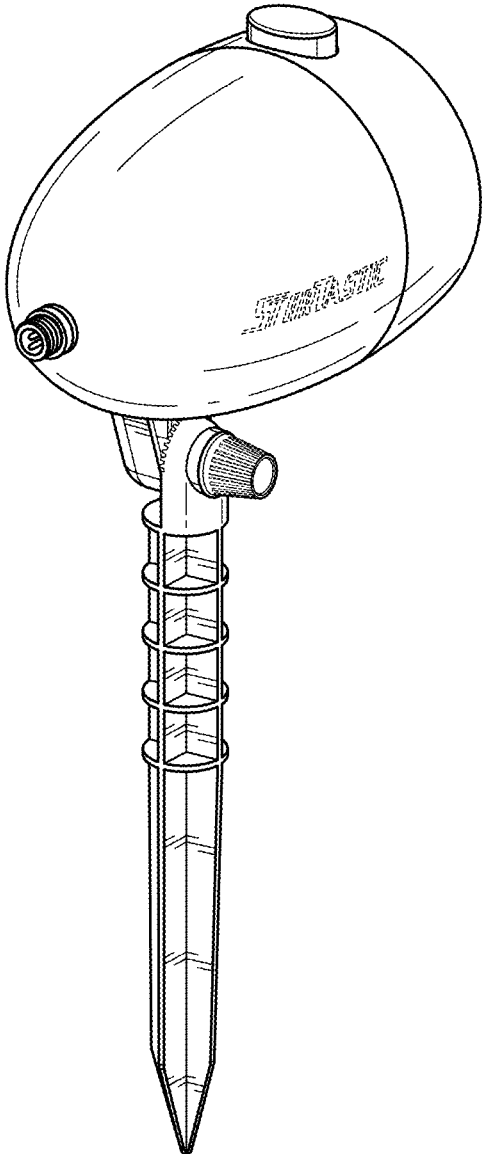


FIG. 2

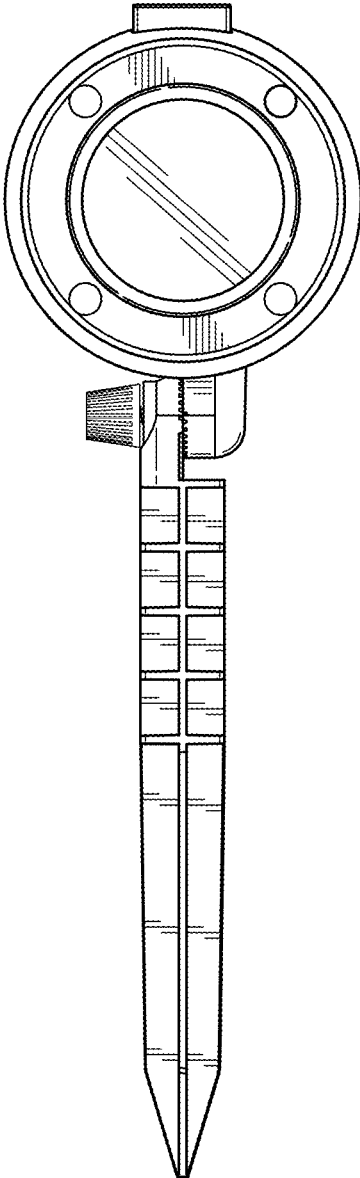


FIG. 3

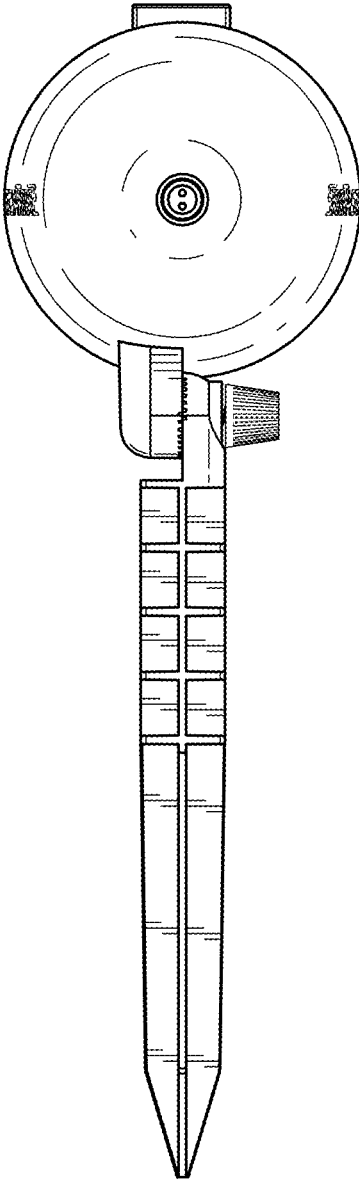


FIG. 4

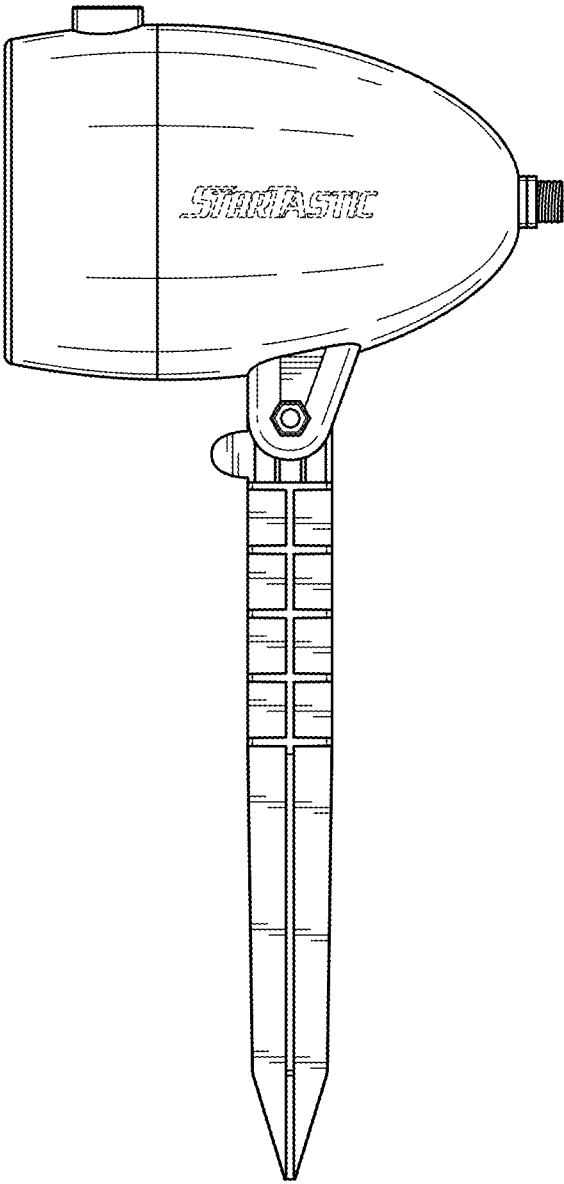


FIG. 5

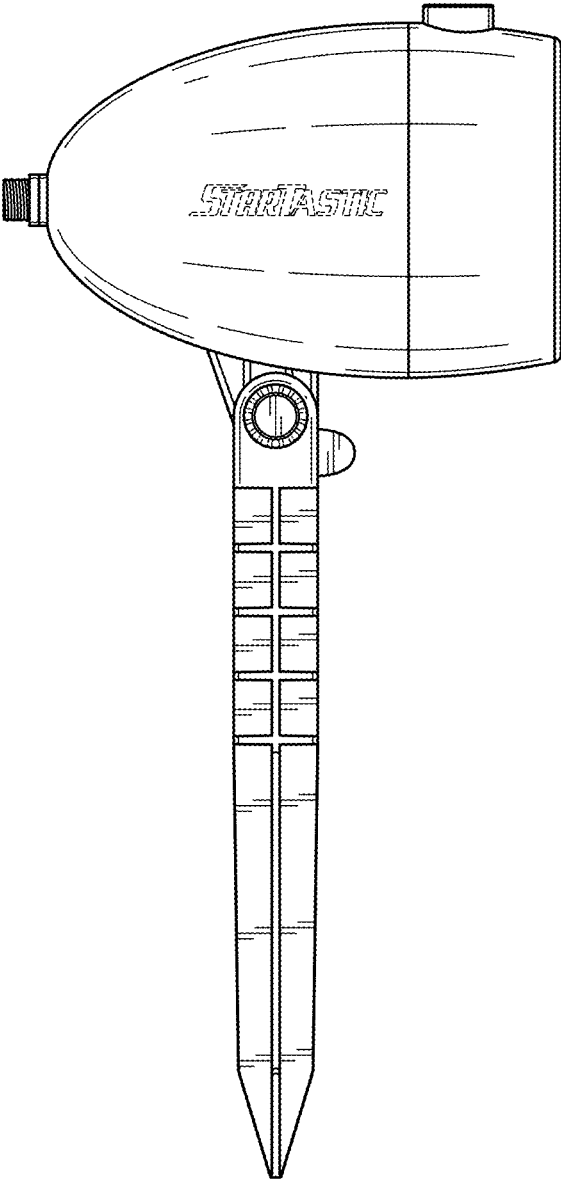


FIG. 6

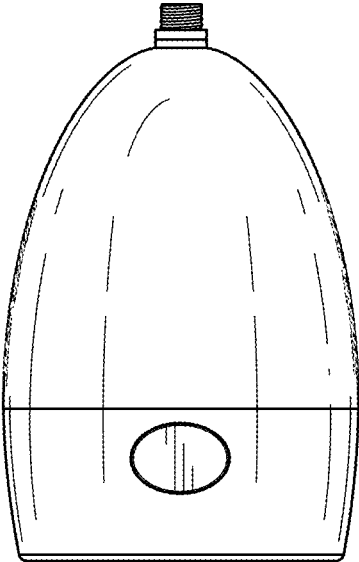


FIG. 7

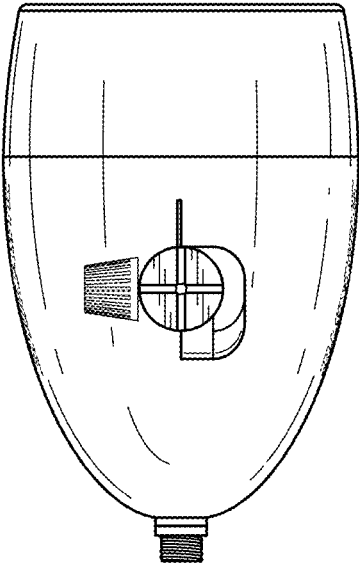


FIG. 8

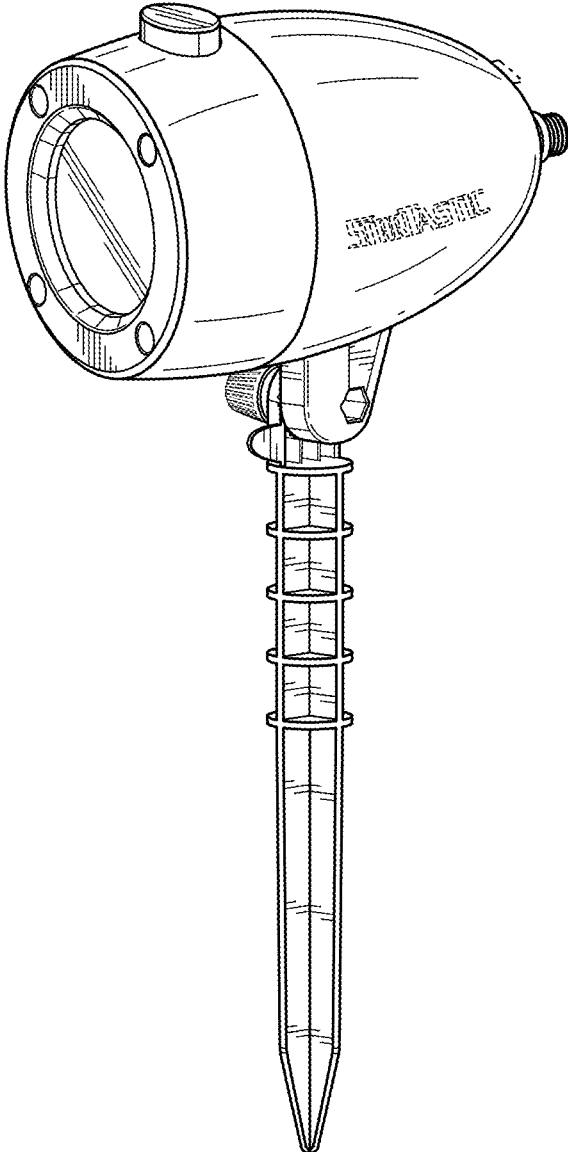


FIG. 9

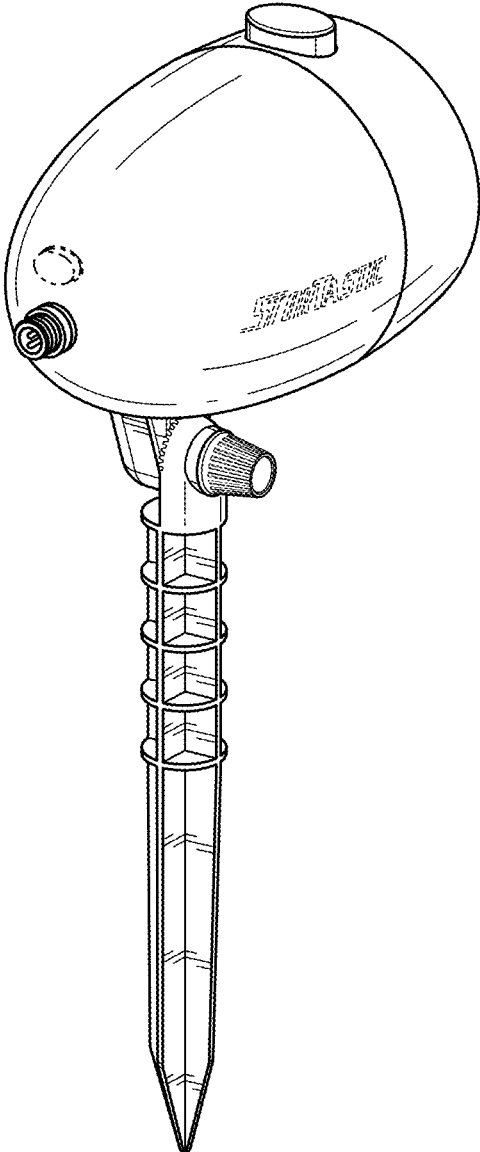


FIG. 10

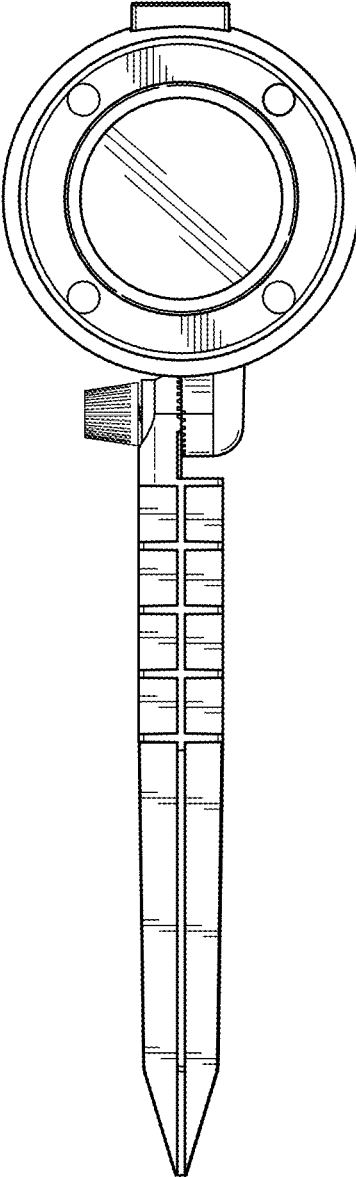


FIG. 11

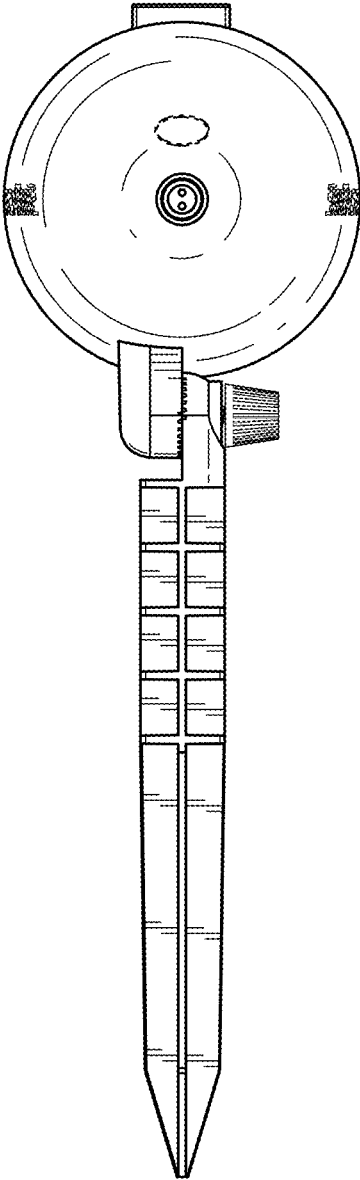


FIG. 12

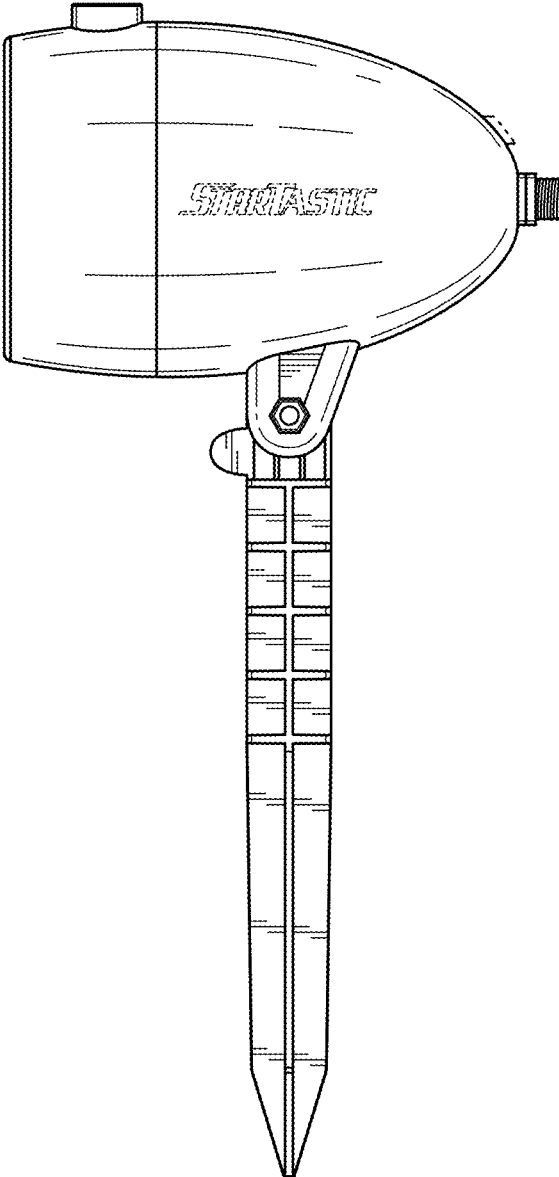


FIG. 13

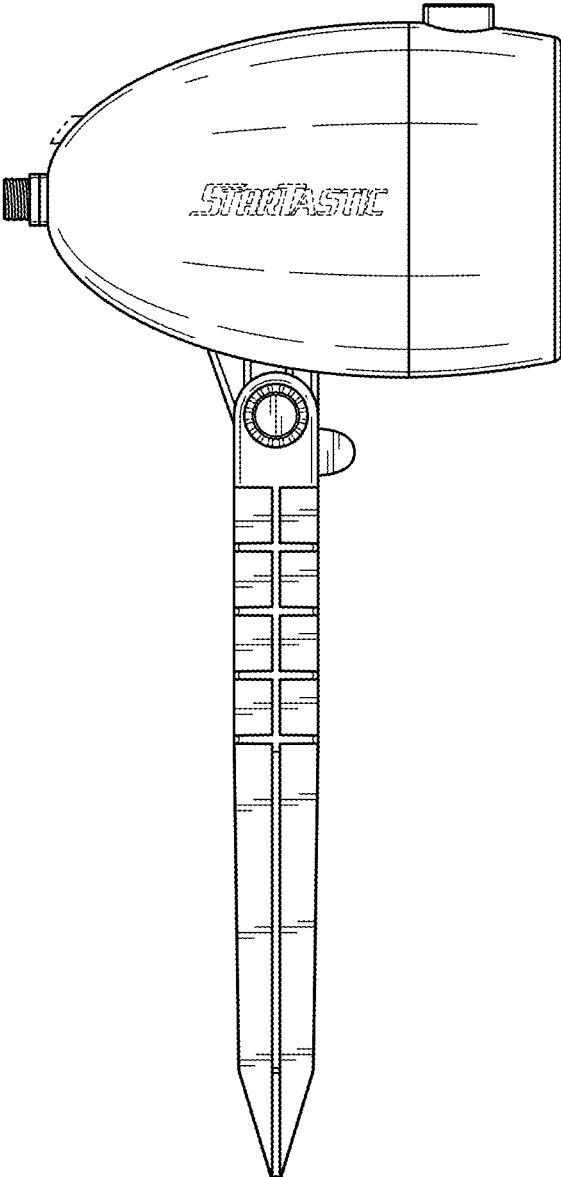


FIG. 14

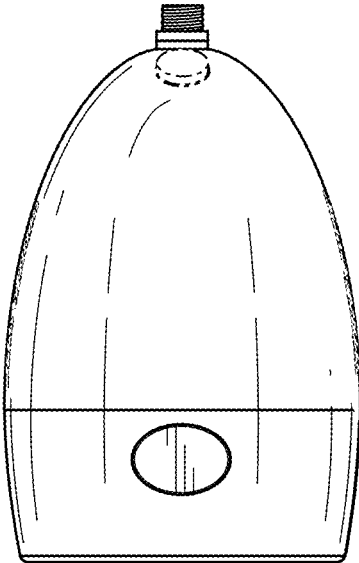


FIG. 15

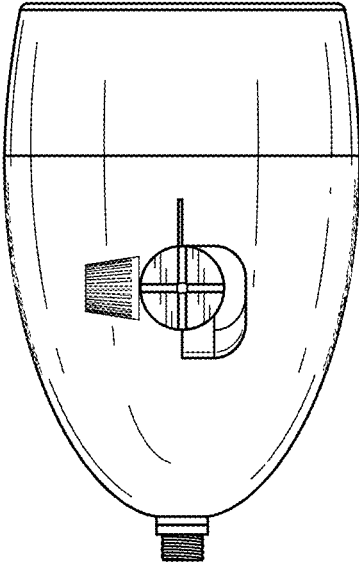


FIG. 16