



US00D614221S

(12) **United States Design Patent**
Park

(10) **Patent No.:** **US D614,221 S**

(45) **Date of Patent:** **** Apr. 20, 2010**

(54) **CAMCORDER**

(75) Inventor: **Jung-Hyun Park**, Seoul (KR)

(73) Assignee: **Samsung Electronics Co., Ltd.**, Suwon, Kyunggi-do (KR)

(**) Term: **14 Years**

(21) Appl. No.: **29/315,535**

(22) Filed: **Jul. 2, 2009**

(51) **LOC (9) Cl.** **16-01**

(52) **U.S. Cl.** **D16/202; D16/203**

(58) **Field of Classification Search** D16/200–205,
D16/208, 218; 348/81, 373–376; 358/906;
396/427, 535–541

See application file for complete search history.

(56) **References Cited**

U.S. PATENT DOCUMENTS

D356,806 S	3/1995	Kim	
D365,354 S	12/1995	Sung	
D366,886 S	2/1996	Choi	
D368,729 S	4/1996	Choi	
D372,925 S	8/1996	Choi	
D378,296 S	3/1997	Choi	
D383,767 S	9/1997	Sung et al.	
D386,506 S	11/1997	Choi	
D388,804 S *	1/1998	Swayze et al.	D16/202
D390,243 S	2/1998	Choi	
6,304,289 B1 *	10/2001	Sakai et al.	348/81
D484,901 S	1/2004	Lim	
D520,044 S	5/2006	Chung et al.	
D520,545 S	5/2006	Chung et al.	
D520,546 S	5/2006	Kim	
D521,041 S	5/2006	Chung et al.	
7,066,663 B2 *	6/2006	Cheng	396/427
D526,674 S	8/2006	Byun et al.	
D528,142 S	9/2006	Byun et al.	
D528,576 S	9/2006	Chung et al.	
D528,577 S	9/2006	Byun et al.	
D532,809 S *	11/2006	Shih	D16/203
D533,206 S	12/2006	Kim	

D551,275 S *	9/2007	Kim	D16/202
D552,142 S	10/2007	Chung	
D552,648 S	10/2007	Chung	
D554,676 S	11/2007	Kim	
D554,678 S	11/2007	Kim	
D556,801 S	12/2007	Kim	
D558,247 S	12/2007	Kim	
D559,290 S	1/2008	Chung	
D560,241 S	1/2008	Chung	
D560,242 S	1/2008	Chung	
D560,243 S	1/2008	Kim	
D580,469 S	11/2008	Chung et al.	
D580,470 S	11/2008	Chung et al.	
D582,460 S *	12/2008	Yoo et al.	D16/203
D584,325 S	1/2009	Chung et al.	
D584,753 S	1/2009	Chung et al.	
D584,754 S	1/2009	Chung et al.	
D584,755 S *	1/2009	Eriksson	D16/202
D592,231 S *	5/2009	Schnell	D16/203
D600,731 S *	9/2009	Lee et al.	D16/203
2007/0153120 A1 *	7/2007	Kajikawa et al.	348/373

* cited by examiner

Primary Examiner—Adir Aronovich
(74) *Attorney, Agent, or Firm*—Flynn, Thiel, Boutell & Tanis, P.C.

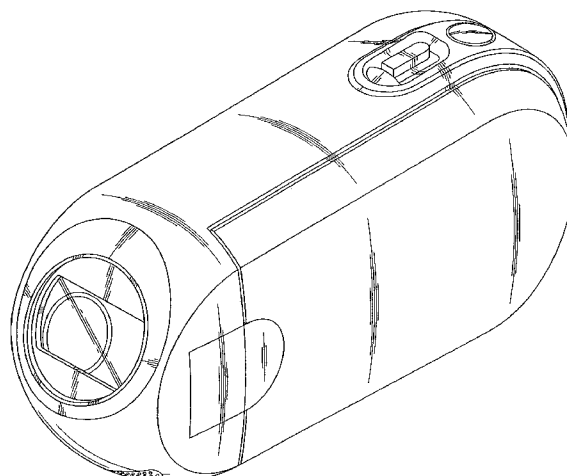
(57) **CLAIM**

The ornamental design for a camcorder, as shown and described.

DESCRIPTION

FIG. 1 is a top front perspective view of a camcorder showing my new design;
FIG. 2 is a front elevational view thereof;
FIG. 3 is a rear elevational view thereof;
FIG. 4 is a left side elevational view thereof;
FIG. 5 is a right side elevational view thereof;
FIG. 6 is a top plan view thereof; and,
FIG. 7 is a bottom plan view thereof.

1 Claim, 4 Drawing Sheets



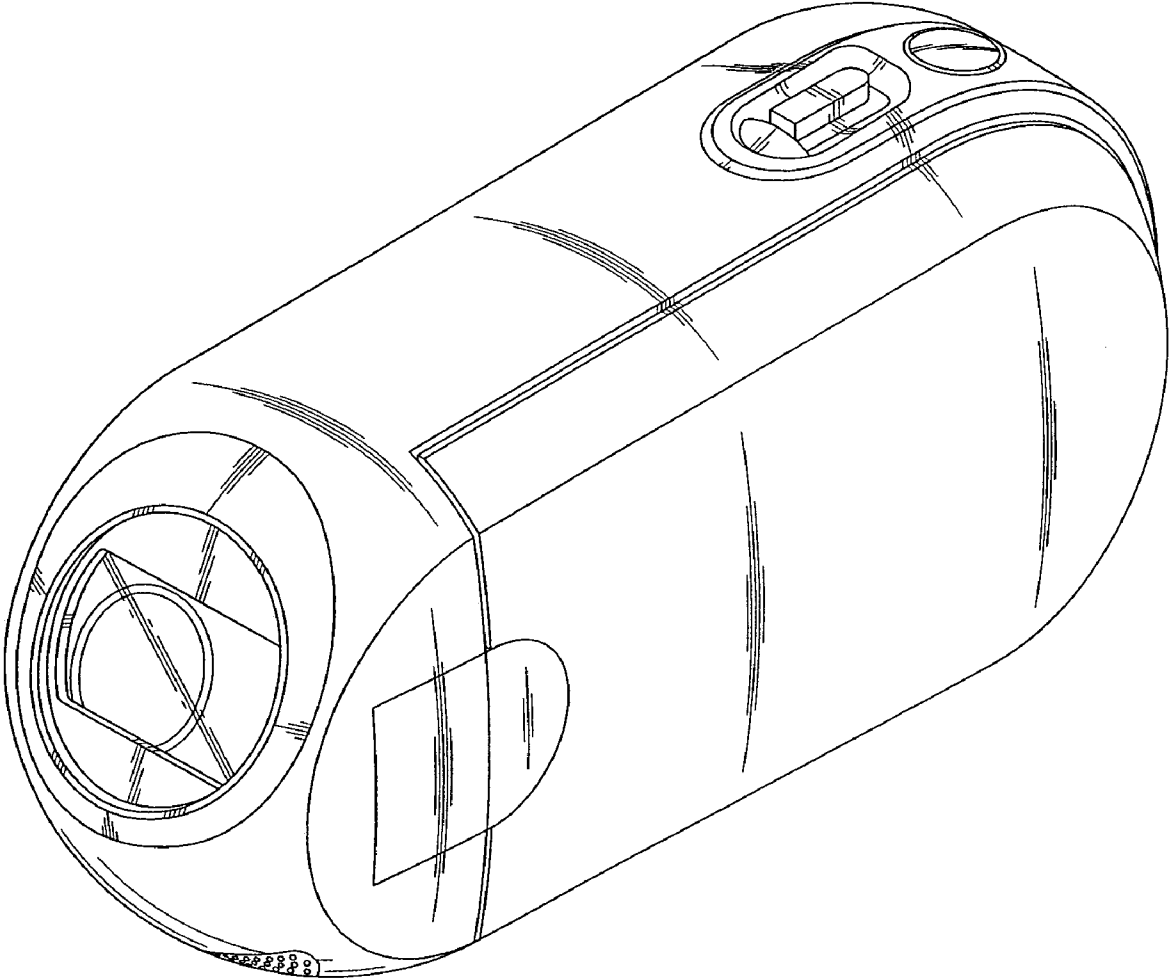


FIG. 1

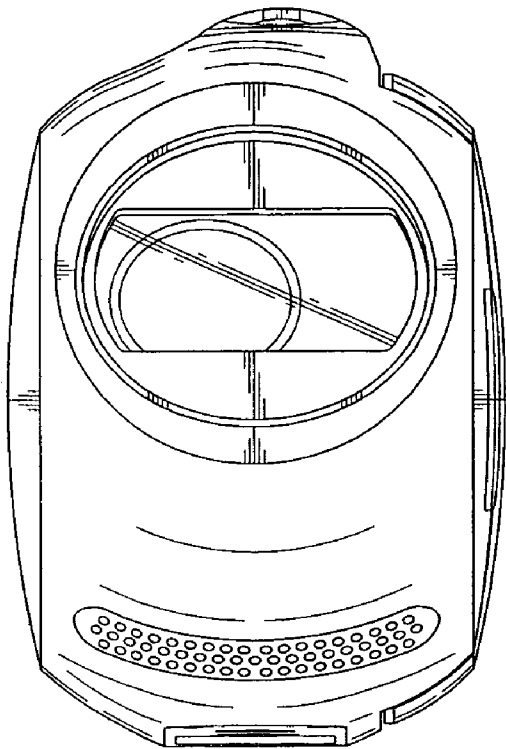


FIG. 2

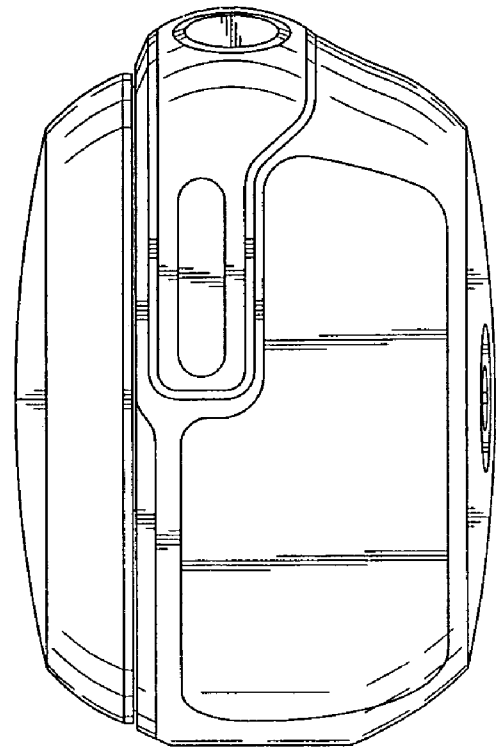


FIG. 3

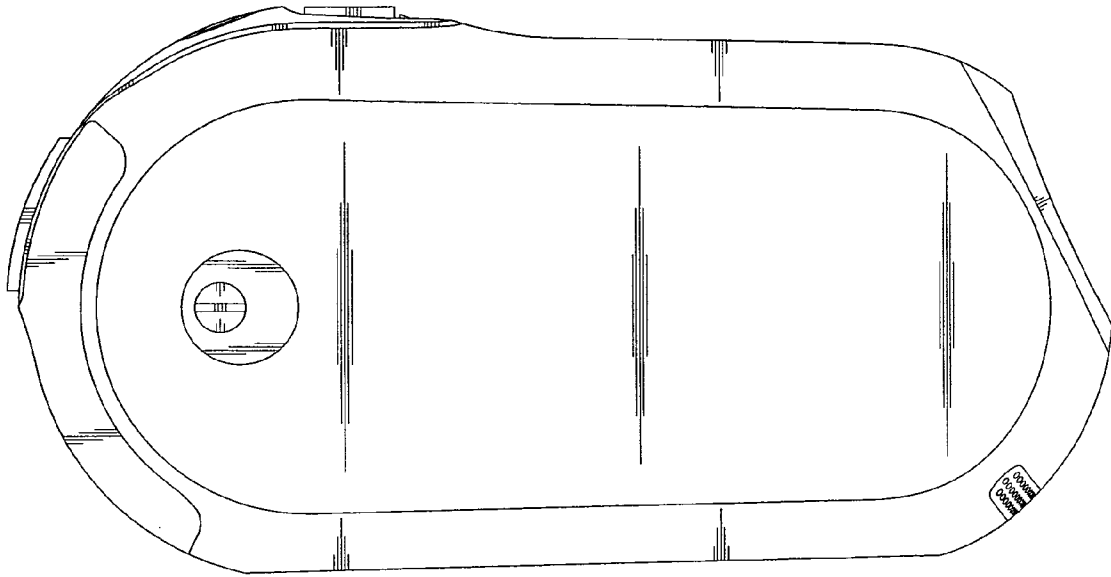


FIG. 4

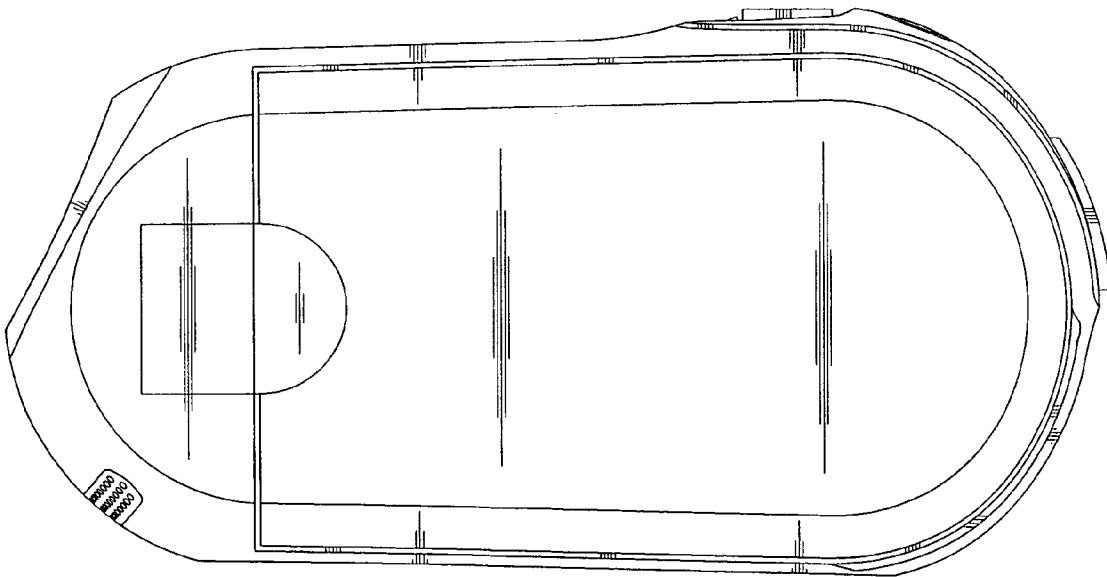


FIG. 5

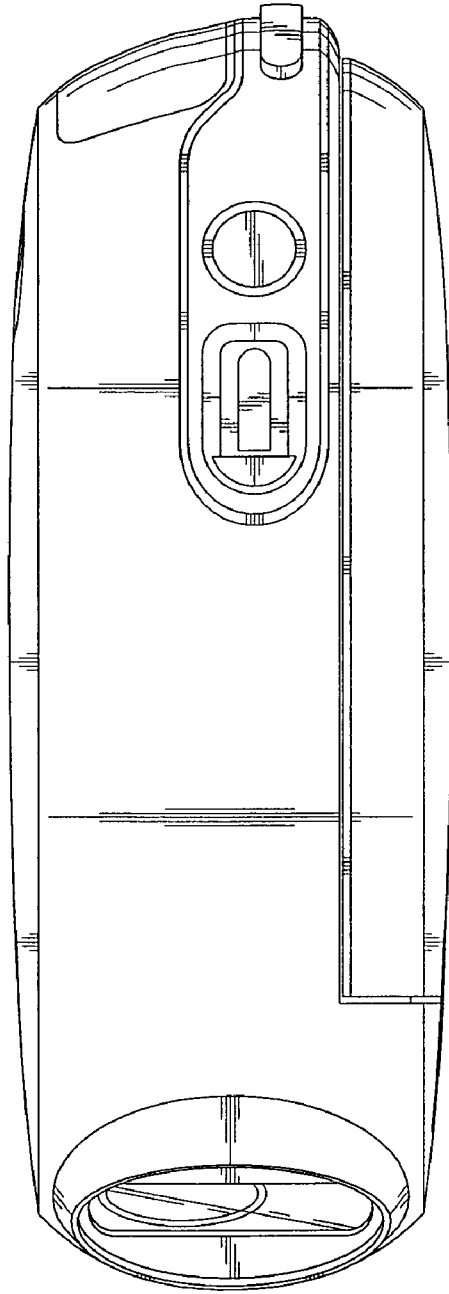


FIG. 6

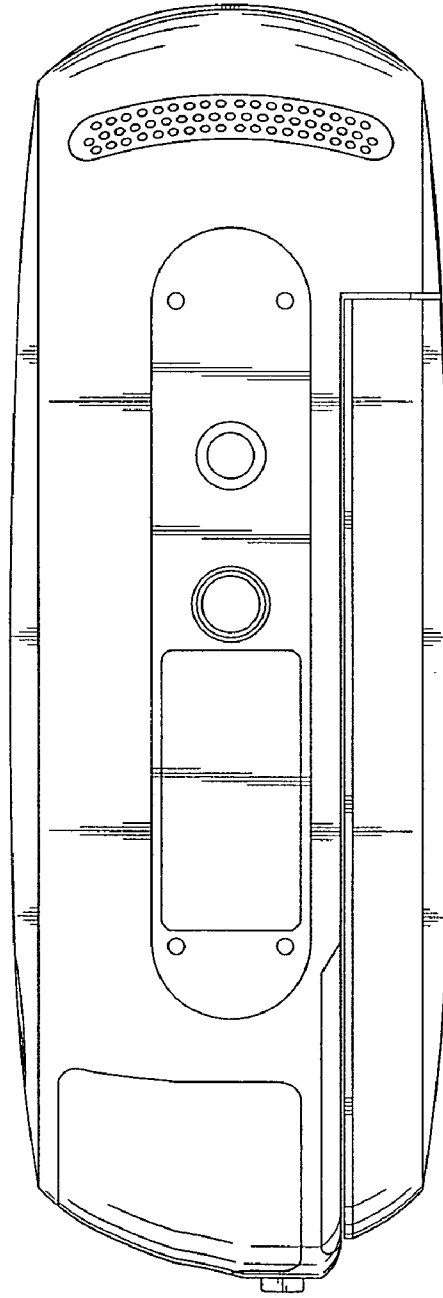


FIG. 7