



US00D529716S

(12) **United States Design Patent**
Wang

(10) **Patent No.:** **US D529,716 S**

(45) **Date of Patent:** **** Oct. 10, 2006**

(54) **TOOL BOX**

(76) Inventor: **Chien-Kuo Wang**, 235 Chung-Ho Box
8-24, Taipei (TW)

(**) Term: **14 Years**

(21) Appl. No.: **29/228,262**

(22) Filed: **Apr. 22, 2005**

(51) **LOC (8) Cl.** **03-01**

(52) **U.S. Cl.** **D3/282; D3/905**

(58) **Field of Classification Search** D3/273-274,
D3/276, 282-283, 294, 905; 206/349, 372-373,
206/376

See application file for complete search history.

(56) **References Cited**

U.S. PATENT DOCUMENTS

D218,267 S	*	8/1970	Belokin, Jr.	D3/282
D343,063 S	*	1/1994	Chen	D3/282
D369,901 S	*	5/1996	Laube	D3/205
D391,760 S	*	3/1998	Zeller	D3/281
D394,747 S	*	6/1998	Cuypers	D3/295
D406,192 S	*	3/1999	Schurman	D3/282
D413,440 S	*	9/1999	Schurman	D3/282

D440,043 S	*	4/2001	Miller et al.	D3/282
D471,360 S	*	3/2003	Huang	D3/282
D477,913 S	*	8/2003	Fang	D3/282
D478,209 S	*	8/2003	Chen	D3/282
D505,549 S	*	5/2005	Hosking	D3/282
D516,311 S	*	3/2006	Lai	D3/282

* cited by examiner

Primary Examiner—Raphael Barkai

Assistant Examiner—RoseLynne (Ulm) Cody

(57) **CLAIM**

The ornamental design for a tool box, as shown and described.

DESCRIPTION

FIG. 1 is a perspective view of a tool box showing my new design;

FIG. 2 is a front elevational view thereof;

FIG. 3 is a rear elevational view thereof;

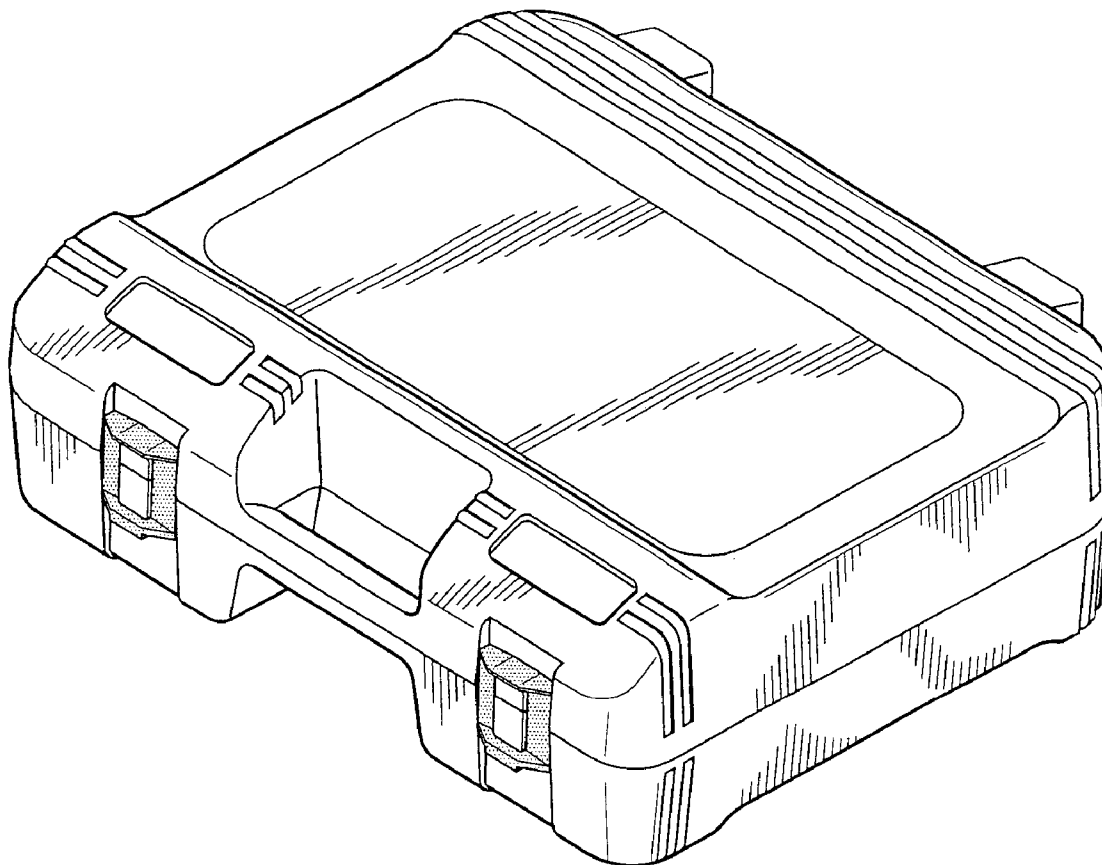
FIG. 4 is a left side view thereof;

FIG. 5 is a right side view thereof;

FIG. 6 is a top plan view thereof; and,

FIG. 7 is a bottom plan view thereof.

1 Claim, 5 Drawing Sheets



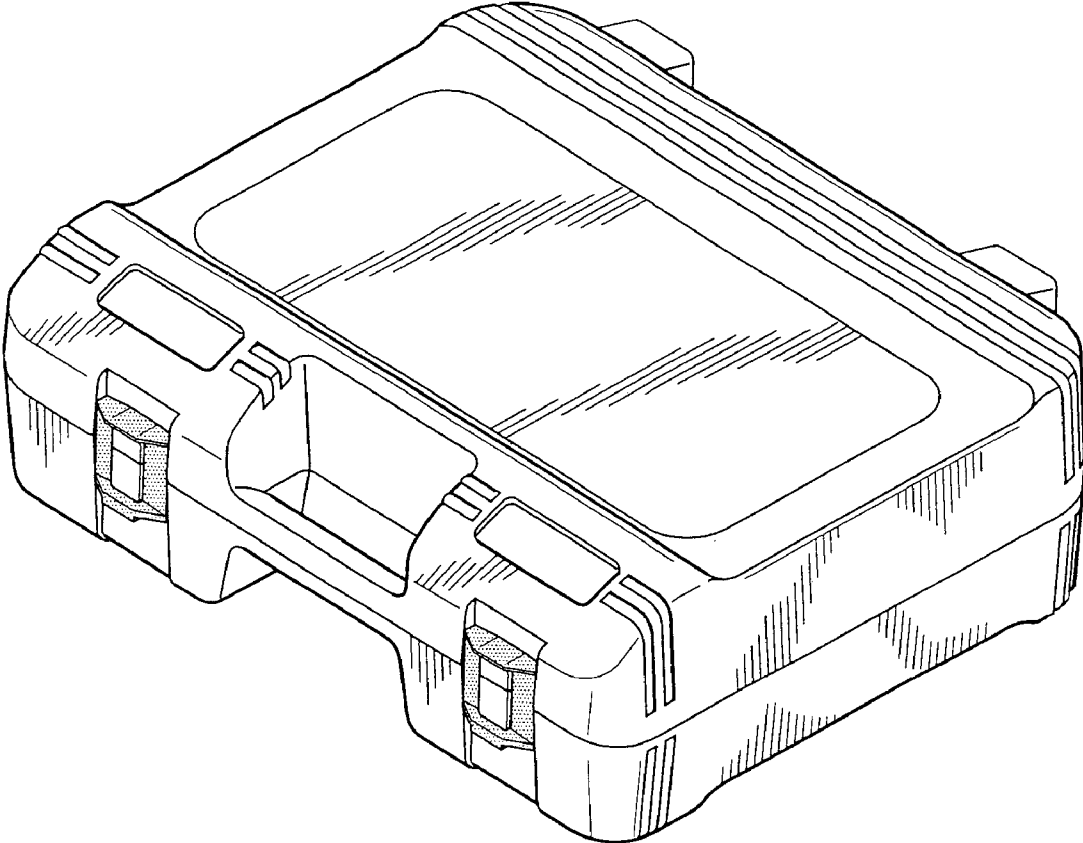


FIG. 1

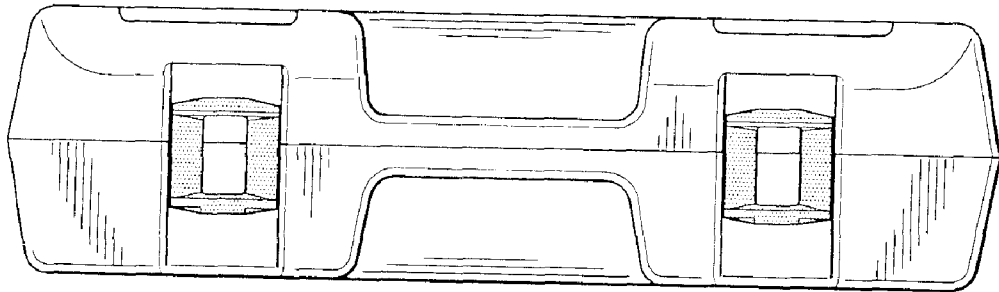


FIG. 2

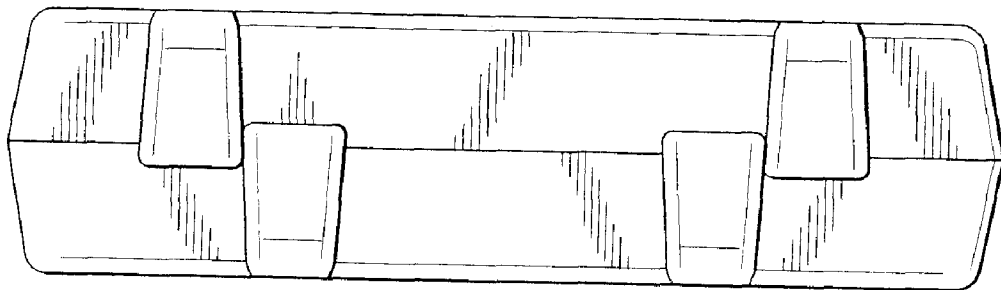


FIG. 3

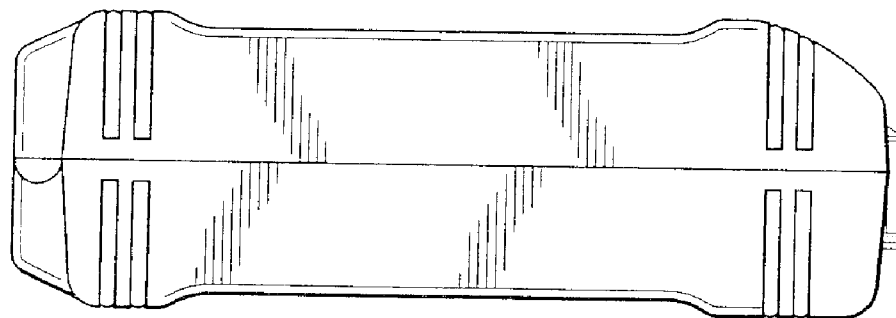


FIG. 4

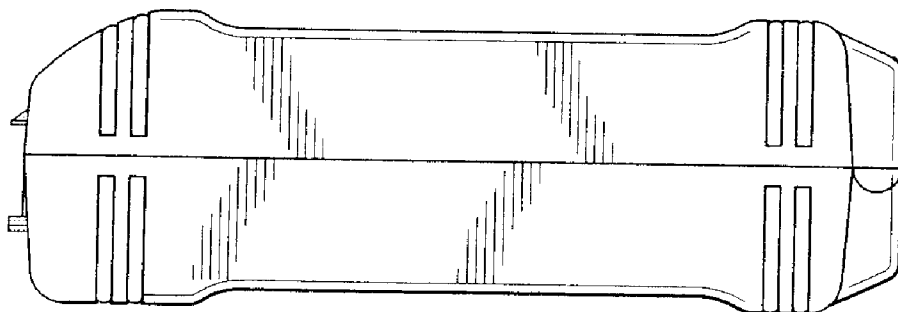


FIG. 5

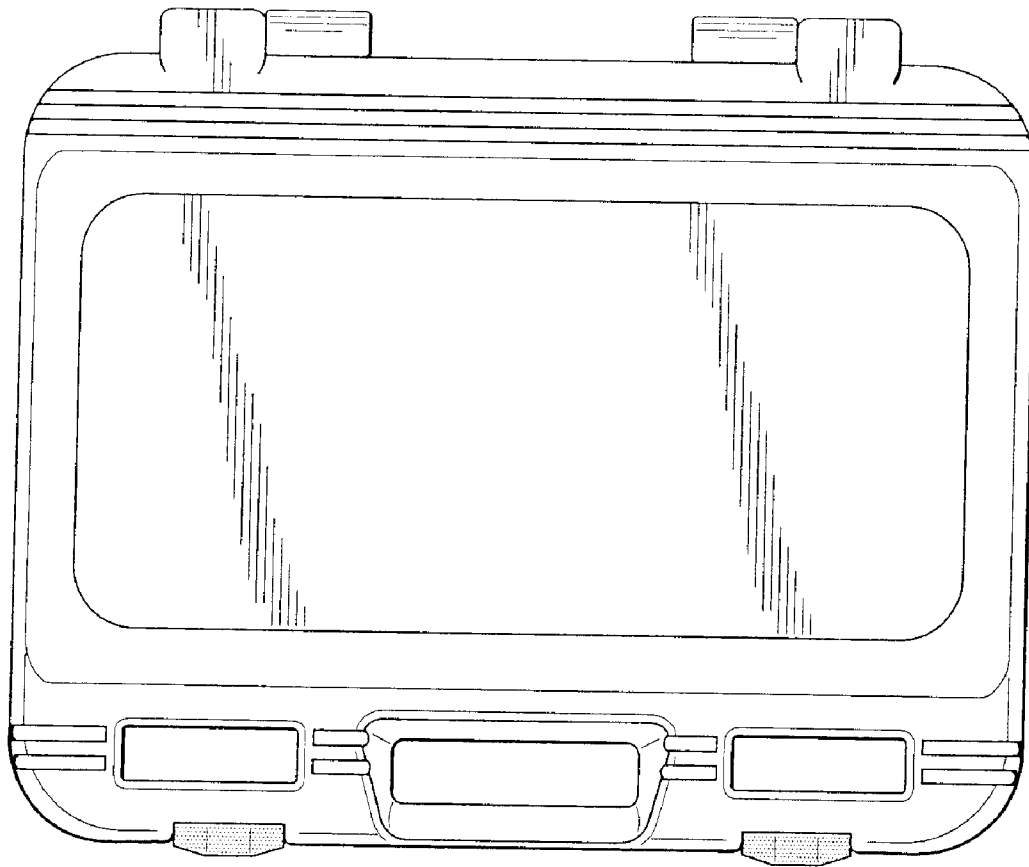


FIG. 6

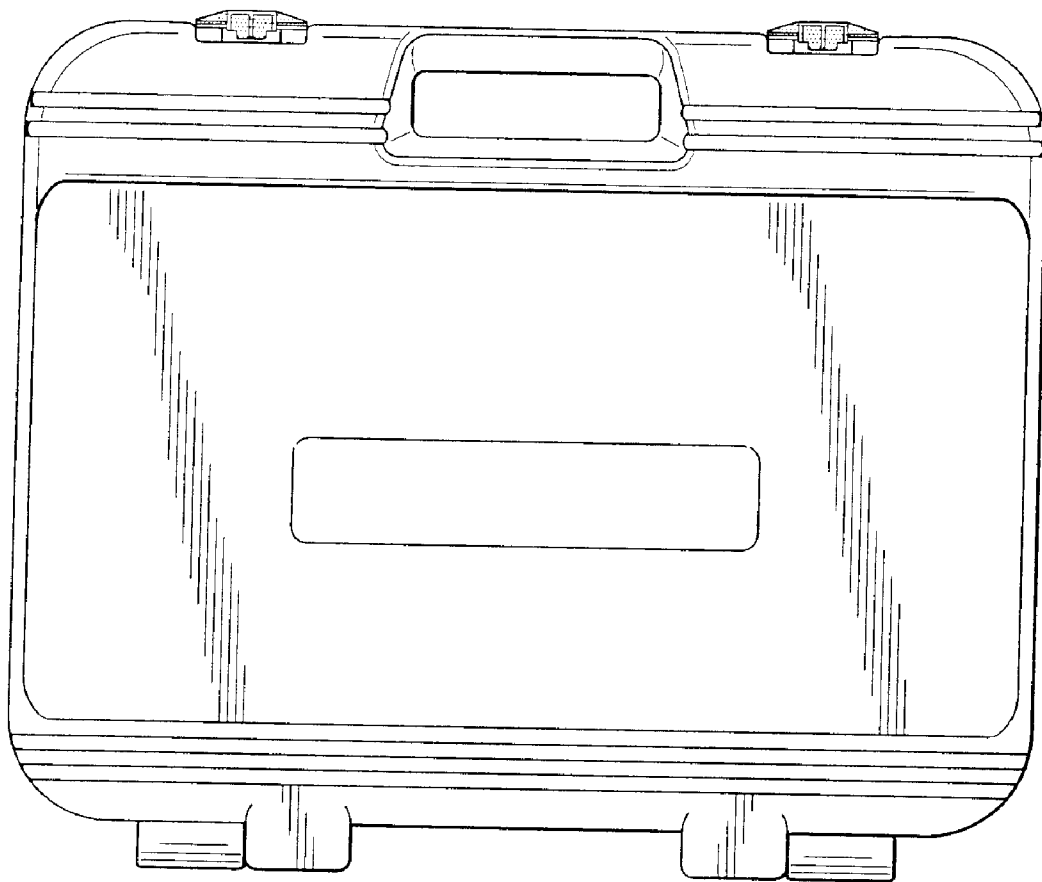


FIG. 7