



US00D412787S

# United States Patent [19] Young

[11] Patent Number: Des. 412,787

[45] Date of Patent: \*\* Aug. 17, 1999

[54] MULTI-FUNCTIONAL TRAVELING BAG

[75] Inventor: David Young, Taipei, Taiwan

[73] Assignee: G & A Trading Company, City of Industry, Calif.

[\*\*] Term: 14 Years

[21] Appl. No.: 29/093,141

[22] Filed: Sep. 4, 1998

[51] LOC (6) Cl. .... 03-01

[52] U.S. Cl. .... D3/283; D3/287; D3/217

[58] Field of Search ..... D3/272, 273, 283, D3/284, 285, 287, 217, 276, 215, 216; 224/575, 576, 581, 582, 588; 190/100, 103, 104, 105, 107, 109, 110

[56] **References Cited**

U.S. PATENT DOCUMENTS

D. 315,825	4/1991	Hutton et al. ....	D3/217
D. 319,144	8/1991	Goude .....	D3/217
D. 333,038	2/1993	Collins .....	D3/283
D. 341,026	11/1993	Barker .....	D3/287
D. 373,515	9/1996	Melk .....	D3/287
4,018,369	4/1977	Jaeger .....	224/581
4,515,300	5/1985	Cohen .....	224/581
5,615,812	4/1997	Martin .....	224/581

Primary Examiner—Philip S. Hyder  
Attorney, Agent, or Firm—David and Raymond; Raymond Y. Chan

[57] **CLAIM**

The ornamental design for a multi-functional traveling bag, as shown.

**DESCRIPTION**

FIG. 1 is a perspective view showing my new design for a multi-functional traveling bag, shown in a shoulder bag configuration;

FIG. 2 is a front view of the FIG. 1;

FIG. 3 is a left end view of the FIG. 1;

FIG. 4 is a right end view of the FIG. 1;

FIG. 5 is a top view of the FIG. 1;

FIG. 6 is a bottom view of the FIG. 1;

FIG. 7 is a rear view of the FIG. 1;

FIG. 8 is a perspective view of the multi-functional traveling bag, shown in a back pack configuration;

FIG. 9 is a front view of the FIG. 8;

FIG. 10 is a left end view of the FIG. 8;

FIG. 11 is a right end view of the FIG. 8;

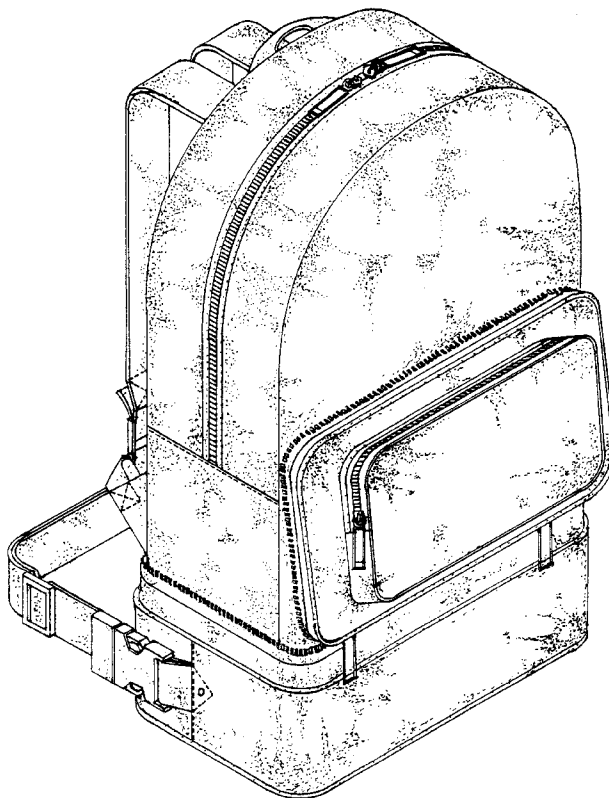
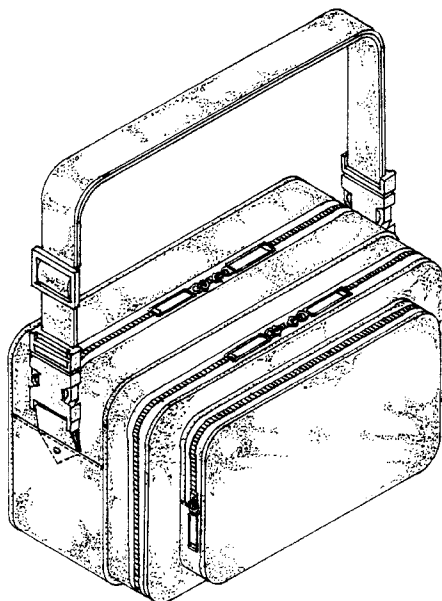
FIG. 12 is a top view of the FIG. 8;

FIG. 13 is a bottom view of the FIG. 8;

FIG. 14 is a rear view of the FIG. 8; and,

FIG. 15 is a perspective view of the multi-functional traveling bag, shown in a partially expanded configuration.

1 Claim, 9 Drawing Sheets



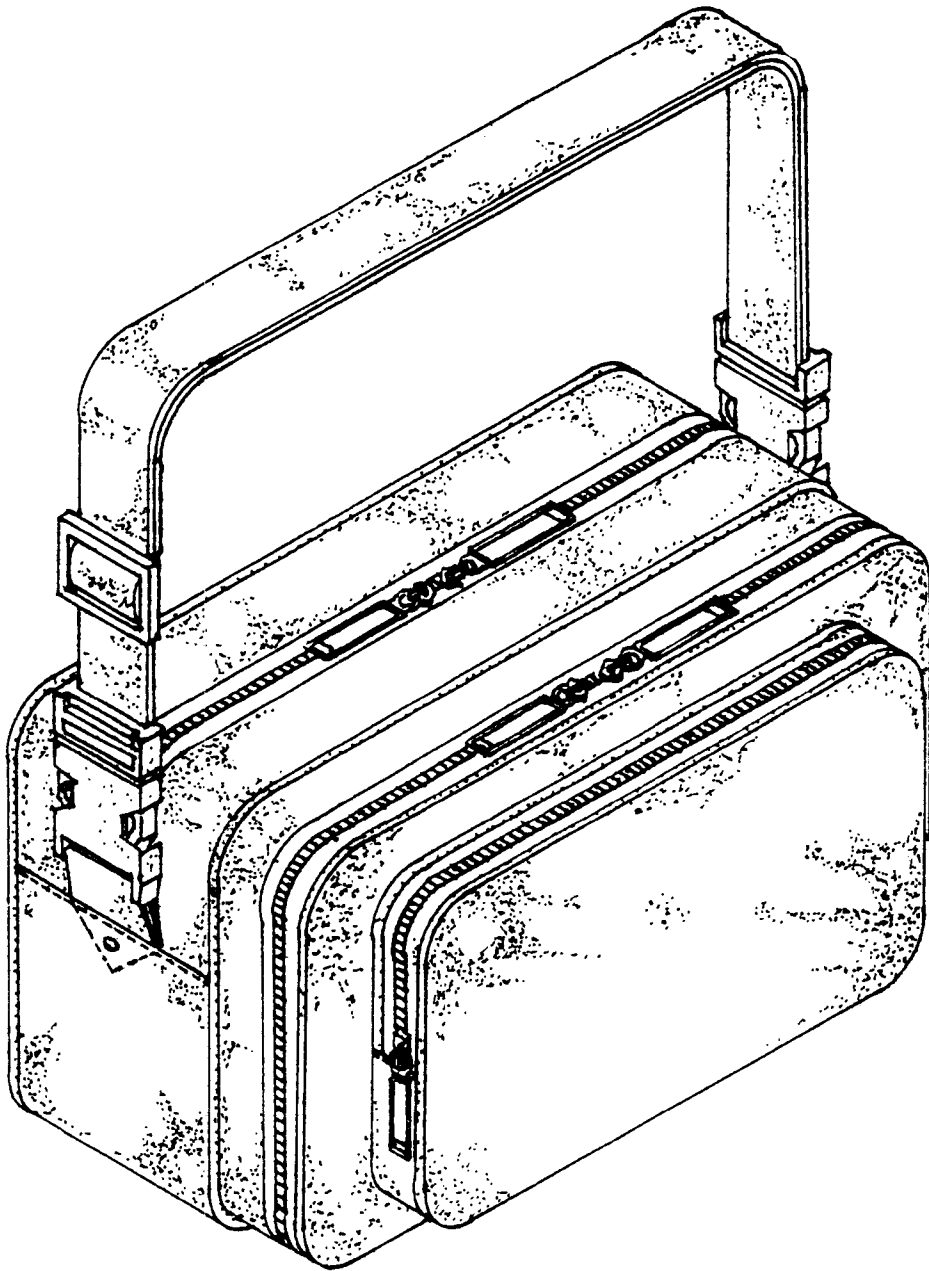


FIG 1

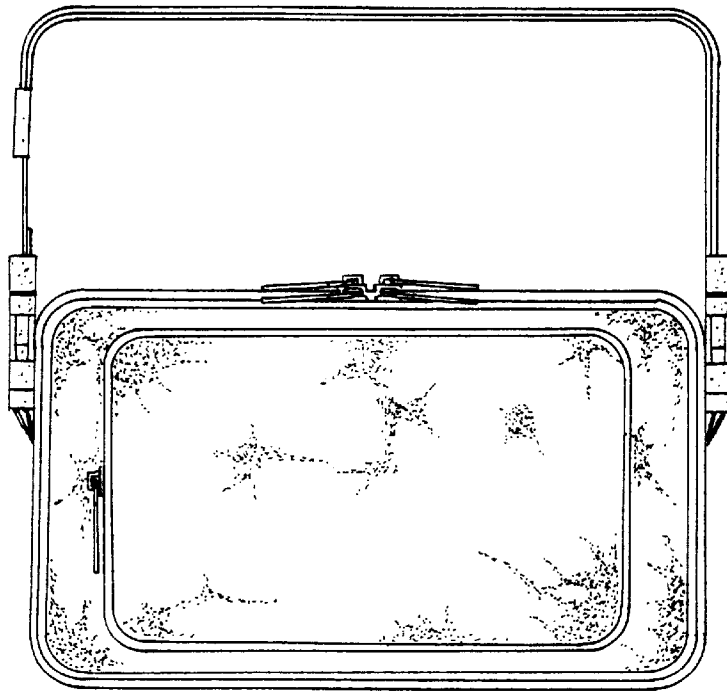


FIG 2

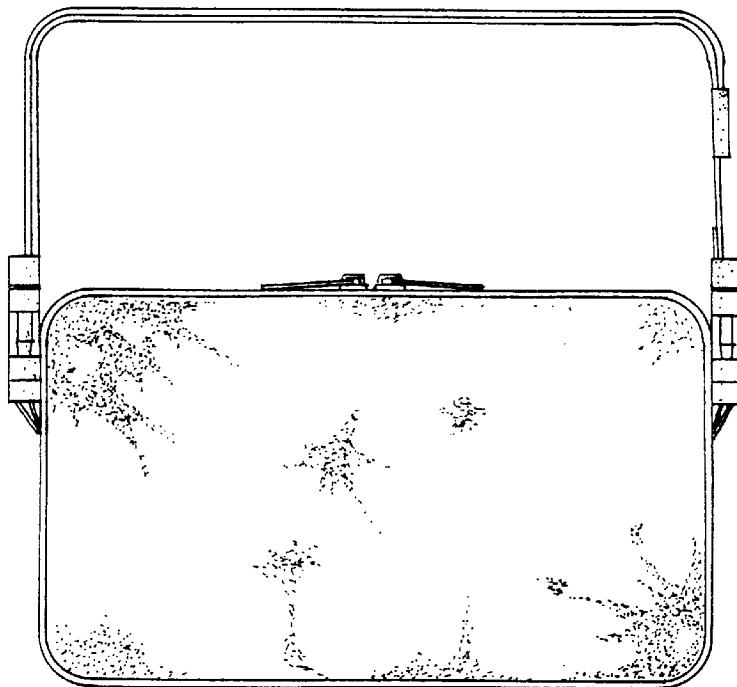


FIG 7

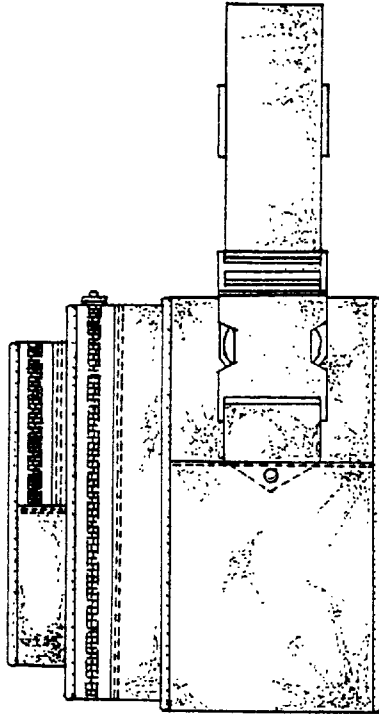


FIG 4

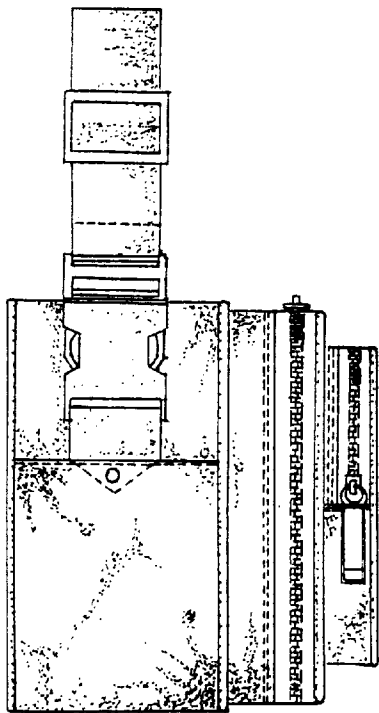


FIG 3

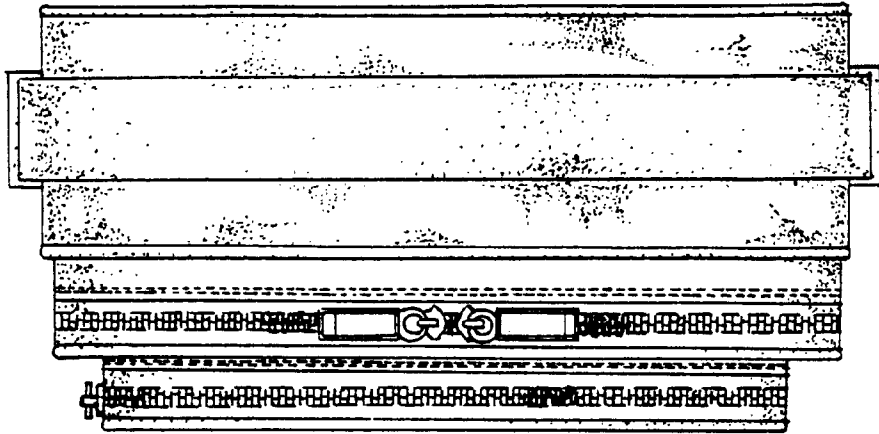


FIG 5

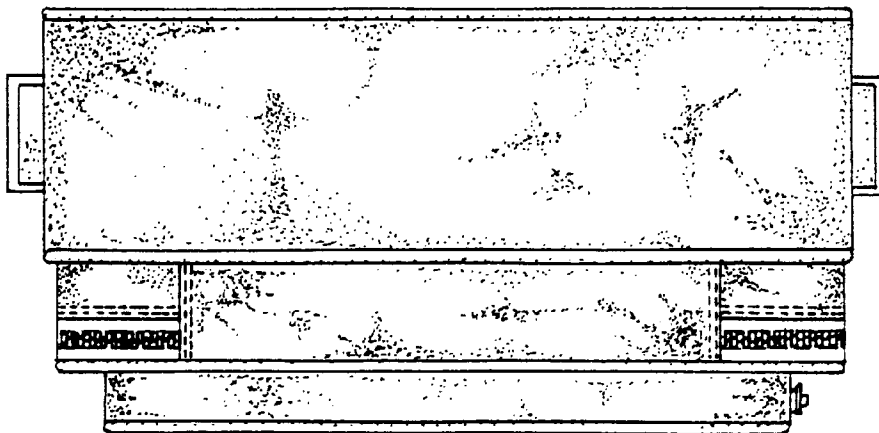


FIG 6

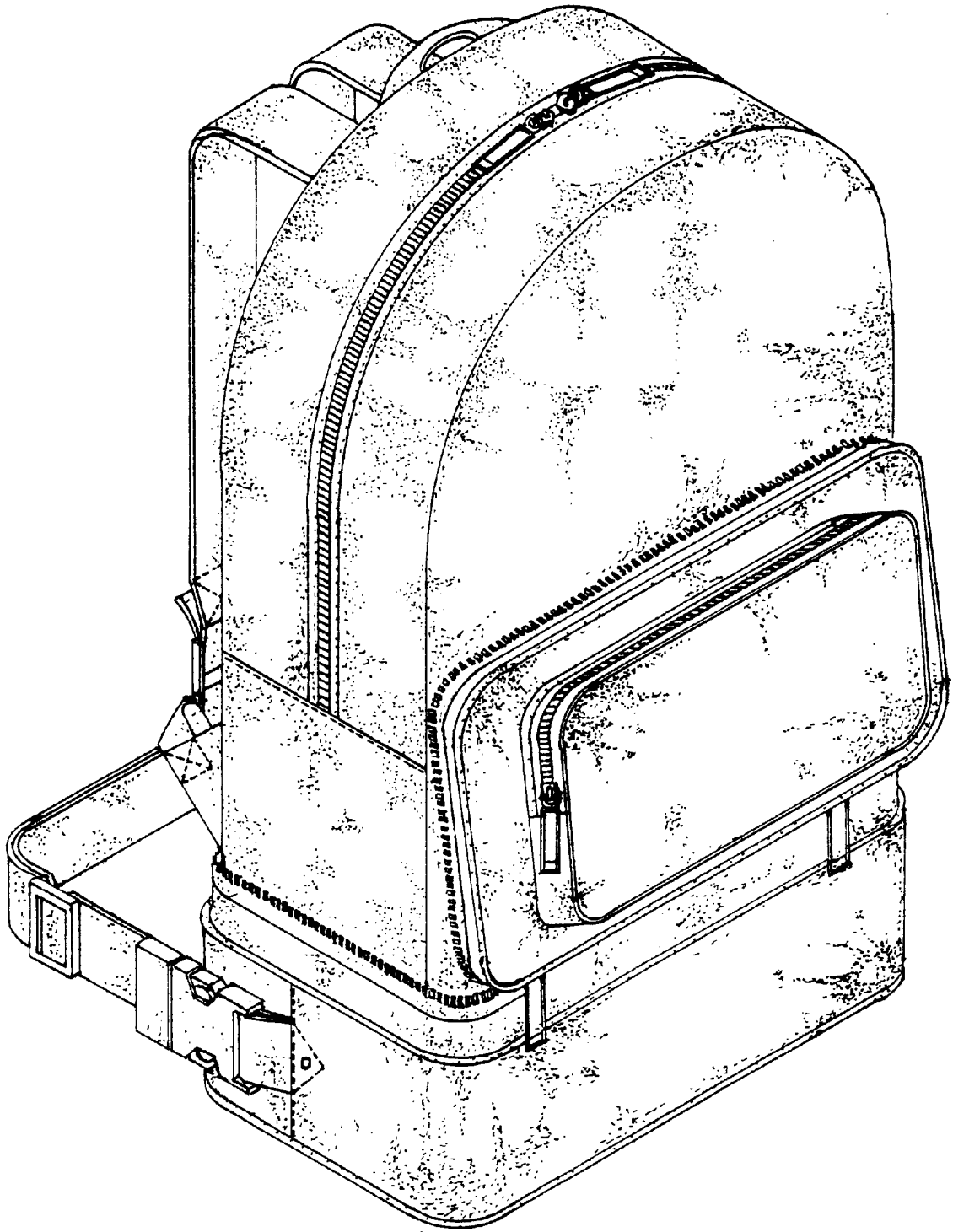


FIG 8

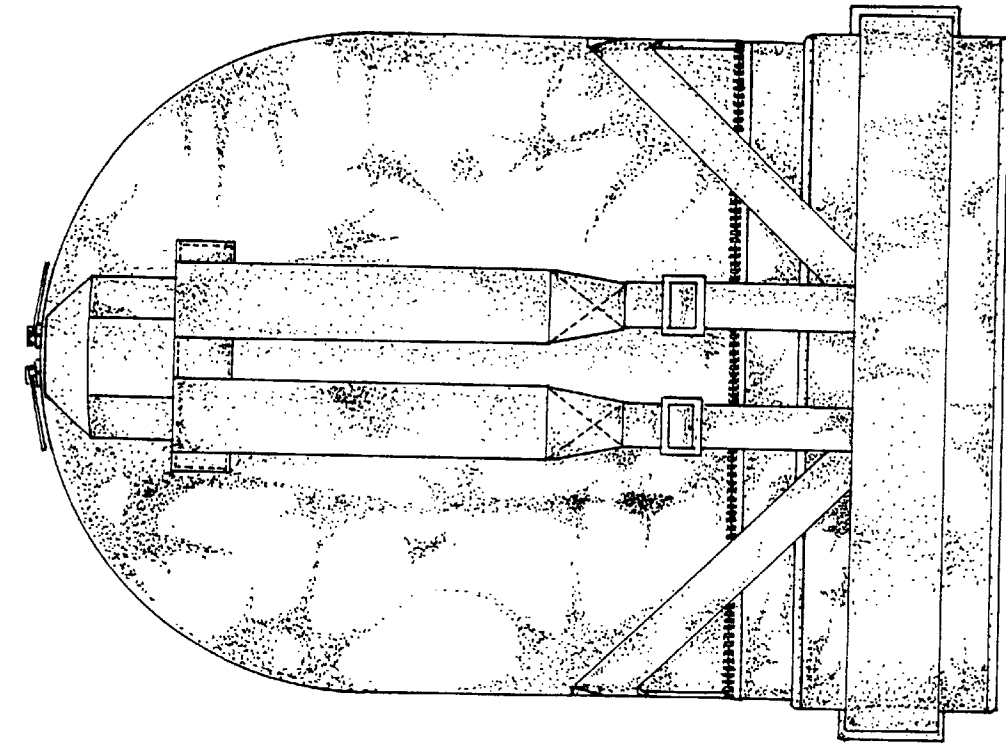


FIG 14

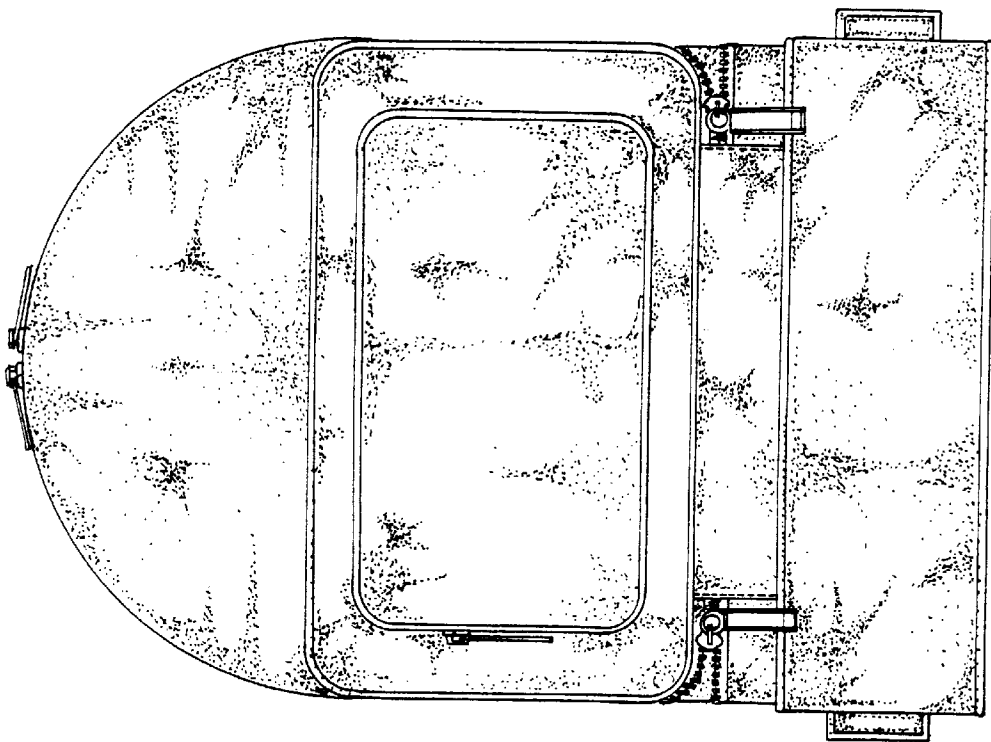


FIG 9

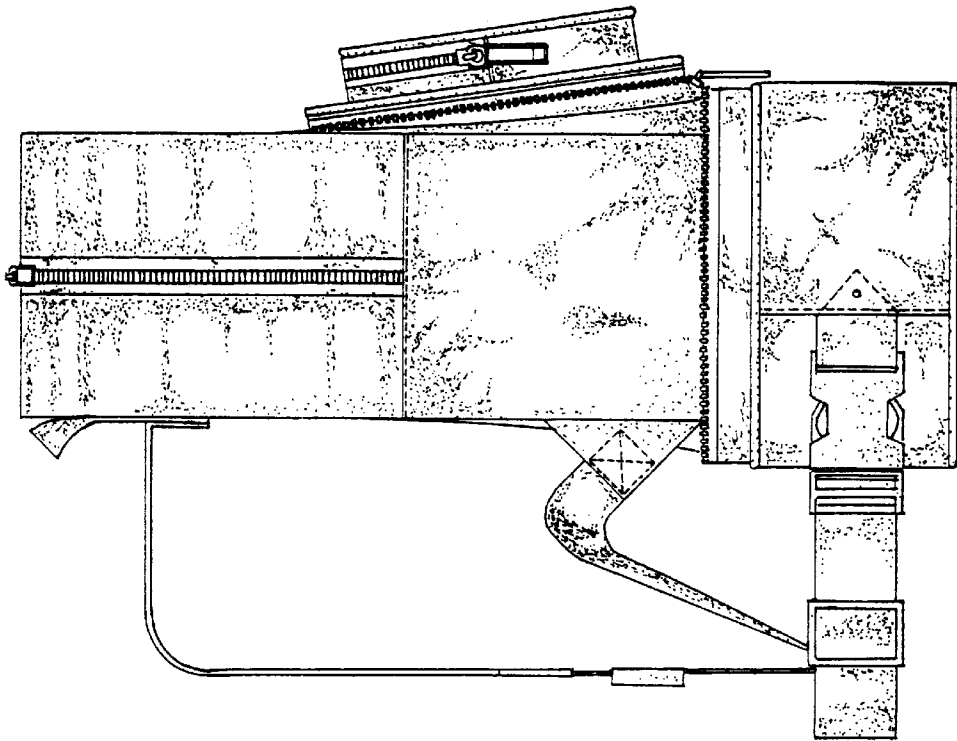


FIG 10

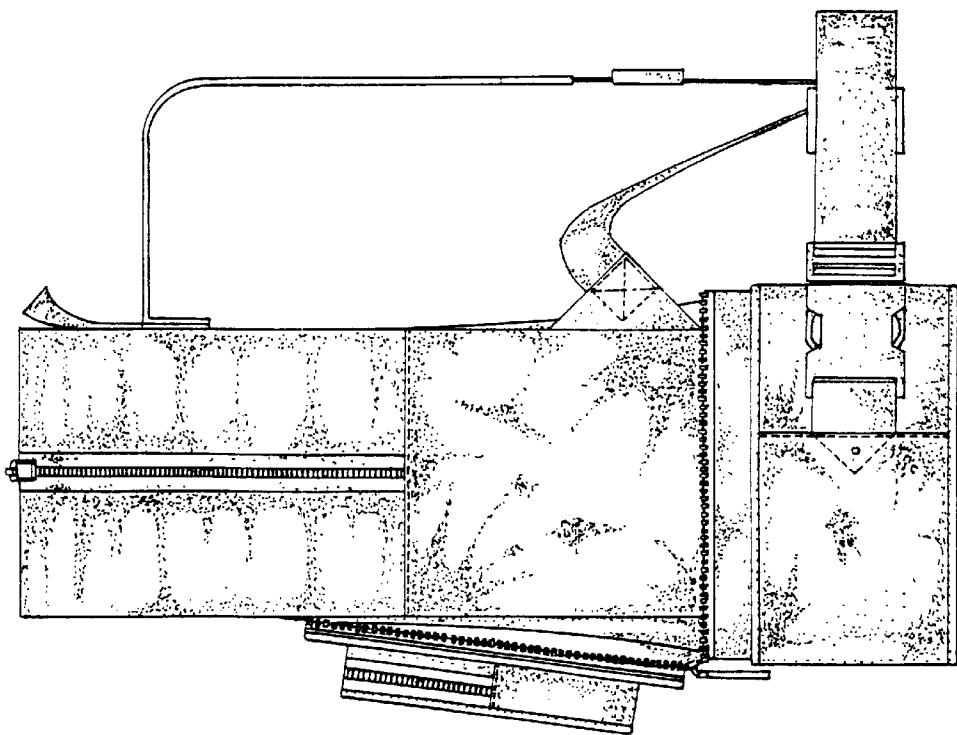


FIG 11

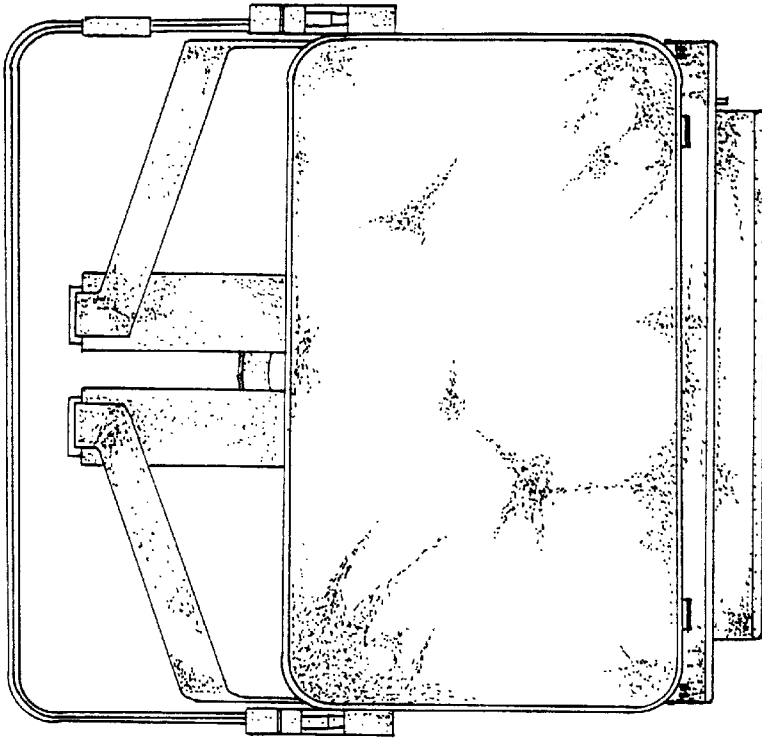


FIG 13

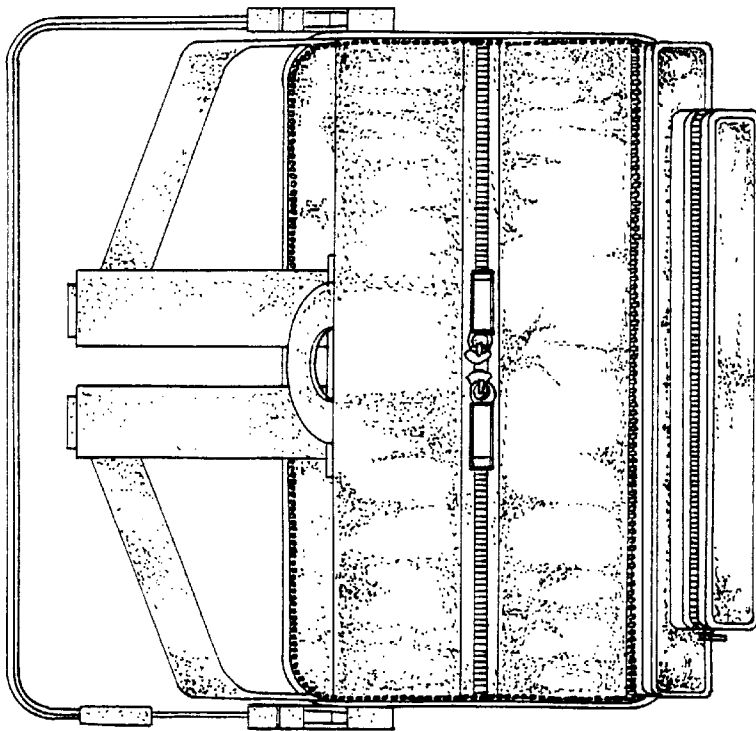


FIG 12

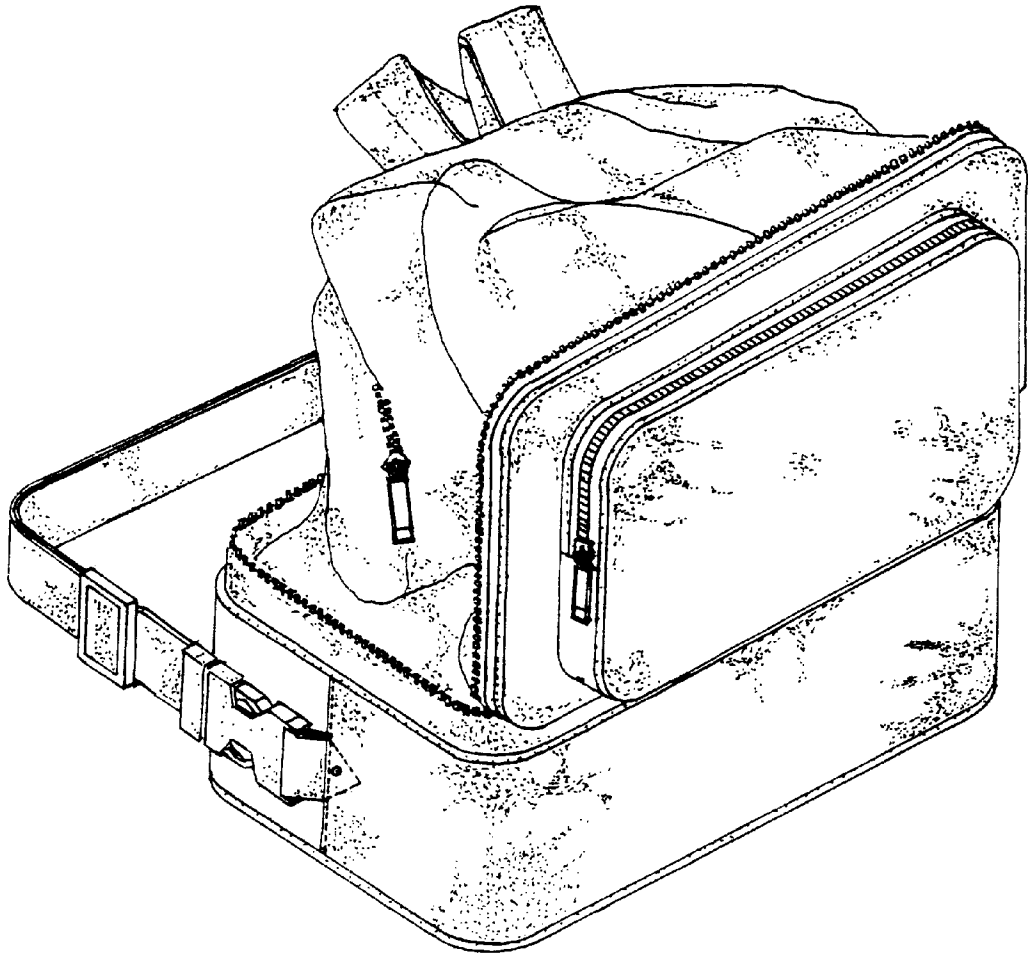


FIG 15