



US00D464697S

(12) **United States Design Patent**
Yang

(10) **Patent No.:** **US D464,697 S**

(45) **Date of Patent:** **** Oct. 22, 2002**

(54) **SKATE BASE**

D410,268 S * 5/1999 Yung D21/763

(76) Inventor: **Lien-Chuan Yang**, 11F-1, No. 149,
Roosevelt Rd. Sec. 3, Taipei (TW)

* cited by examiner

(**) Term: **14 Years**

Primary Examiner—Raphael Barkai
(74) *Attorney, Agent, or Firm*—Dennison, Schultz &
Dougherty

(21) Appl. No.: **29/150,668**

(57) **CLAIM**

(22) Filed: **Nov. 28, 2001**

The ornamental design for the skate base, as shown and
described.

(51) **LOC (7) Cl.** **21-02**

(52) **U.S. Cl.** **D21/763**

(58) **Field of Search** D21/760, 763-765,
D21/771; 280/11.19, 11.204, 11.207, 11.208,
11.209, 11.221, 11.233, 11.27, 11.28

DESCRIPTION

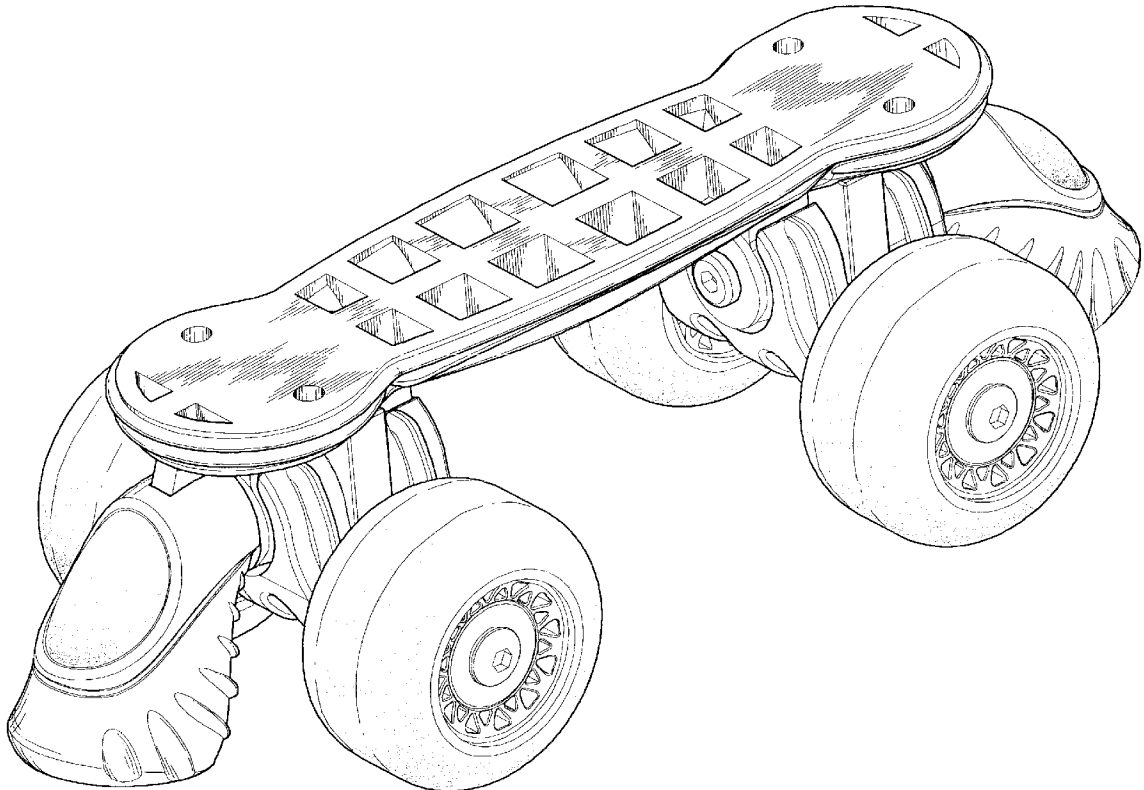
(56) **References Cited**

U.S. PATENT DOCUMENTS

3,968,973 A	*	7/1976	McCormack	280/11.209
4,345,774 A	*	8/1982	Poe	280/11.209
D272,258 S	*	1/1984	Olivieri	D21/763
4,657,265 A	*	4/1987	Ruth	280/11.27
D299,260 S	*	1/1989	Vullierme	D21/763
D387,832 S	*	12/1997	Lee	D21/764

FIG. 1 is a perspective view of the skate base showing the
new design;
FIG. 2 is a front view of the new design;
FIG. 3 is a rear view of the new design;
FIG. 4 is a left view of the new design;
FIG. 5 is a right view of the new design;
FIG. 6 is a top view of the new design;
FIG. 7 is a bottom view of the new design; and,
FIG. 8 is another perspective view showing the design.

1 Claim, 8 Drawing Sheets



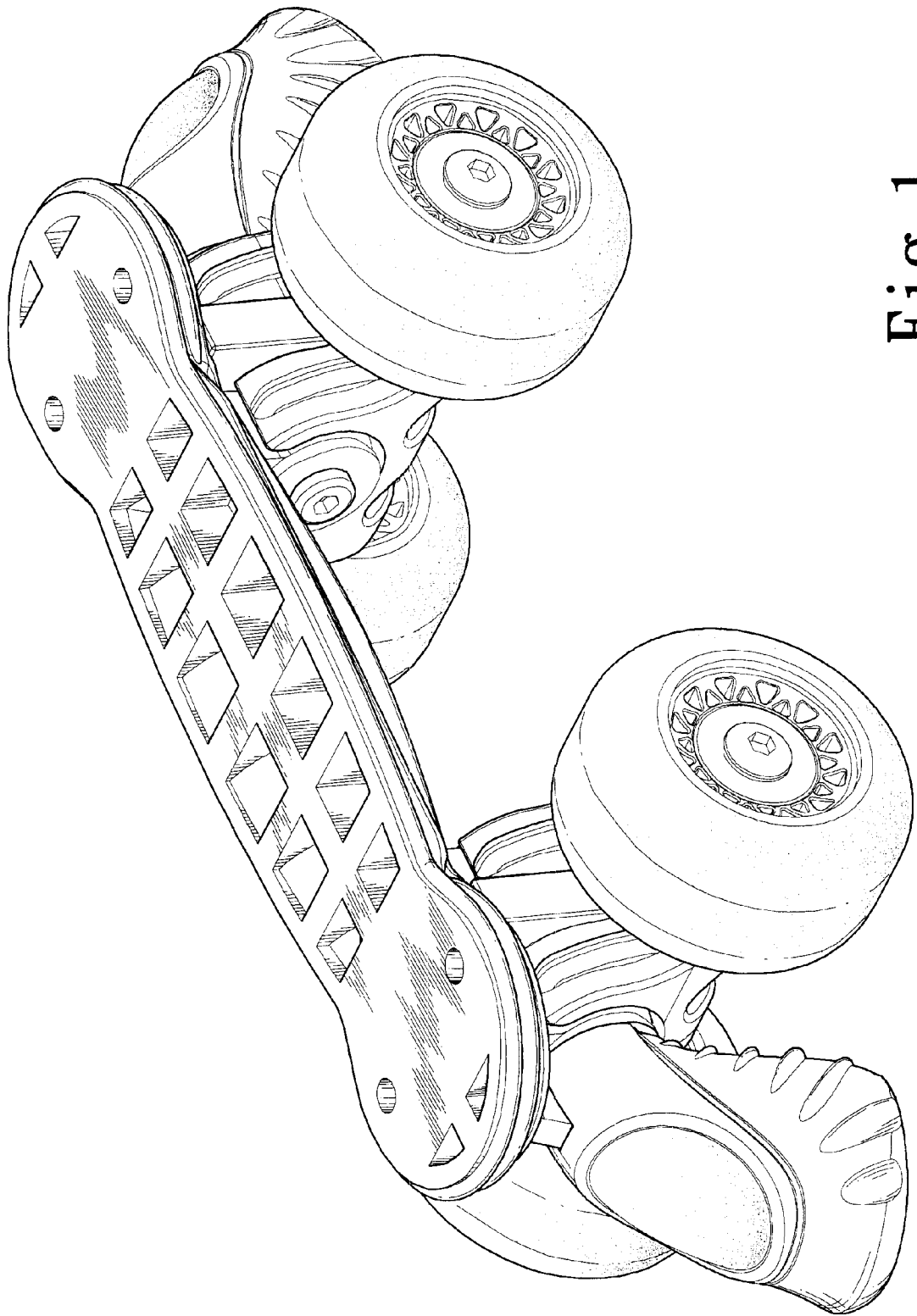


Fig. 1

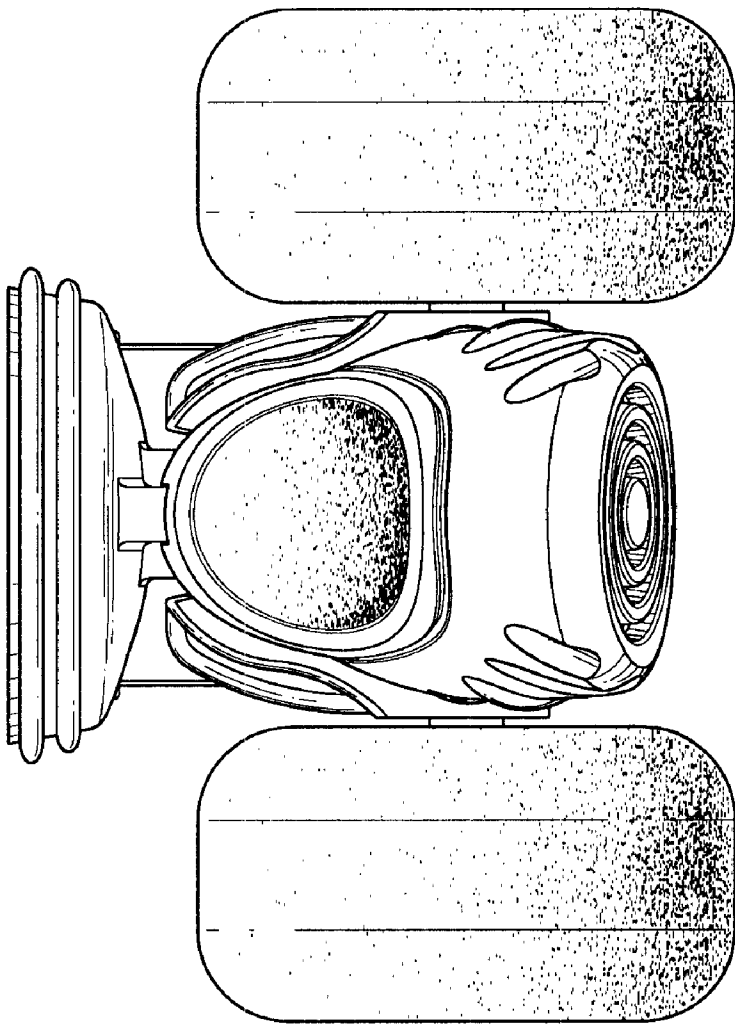


Fig. 2

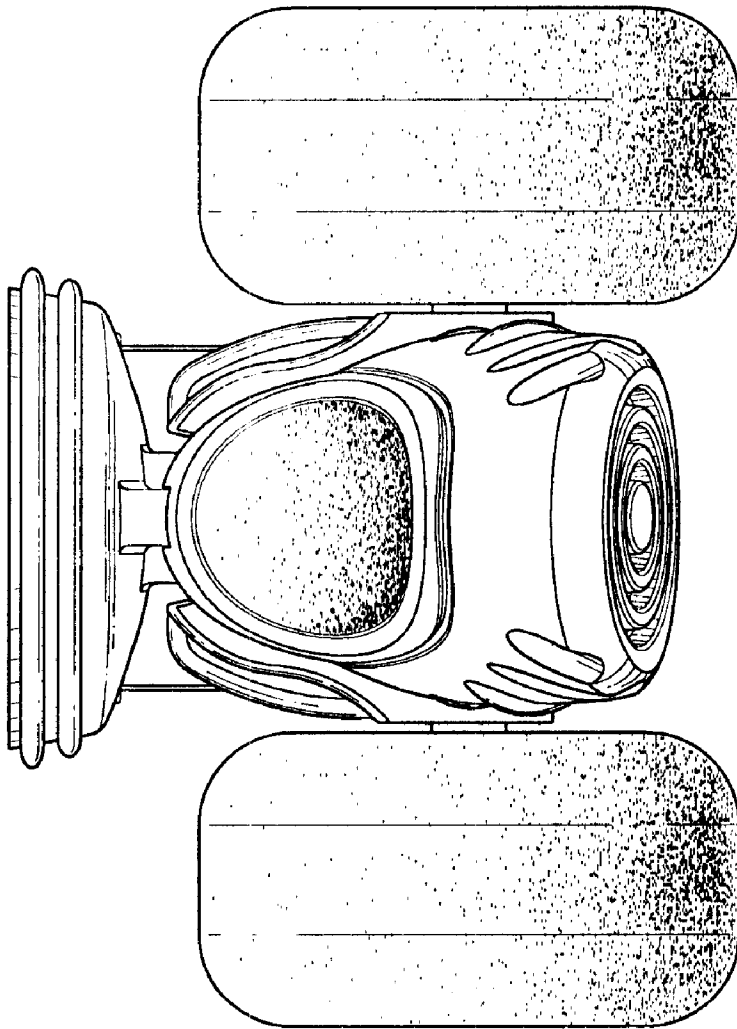


Fig. 3

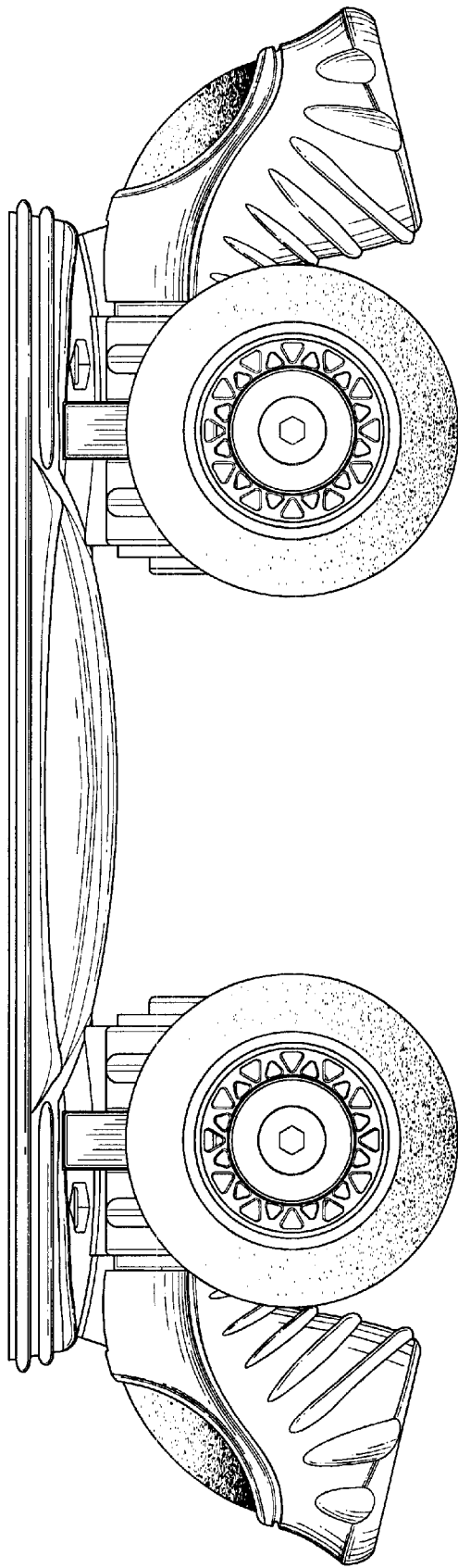


Fig. 4

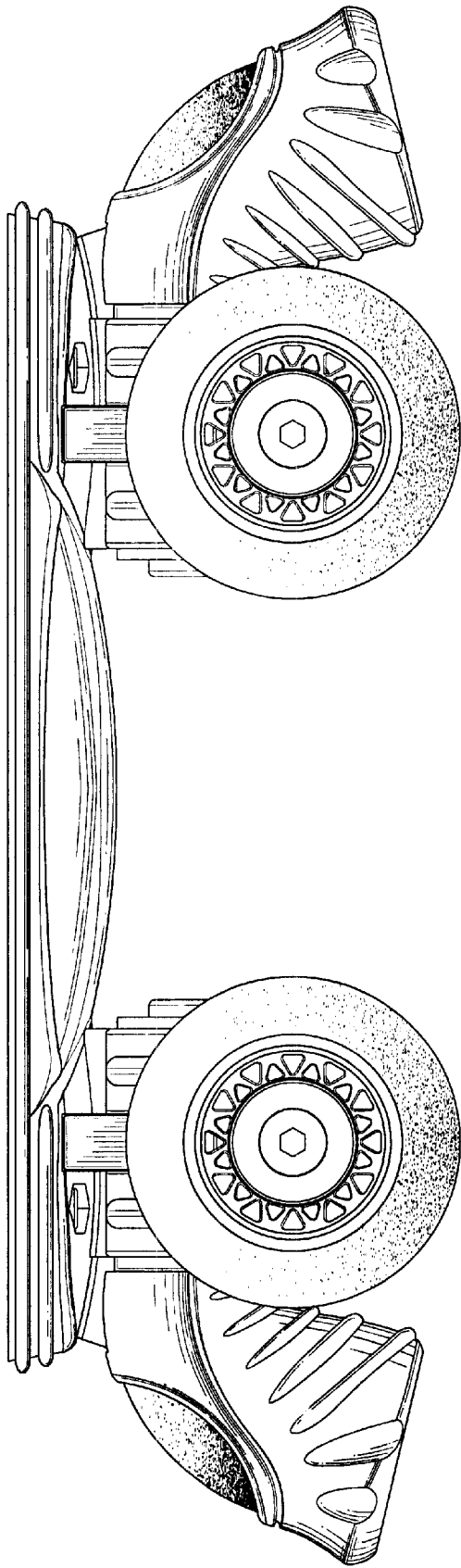


Fig. 5

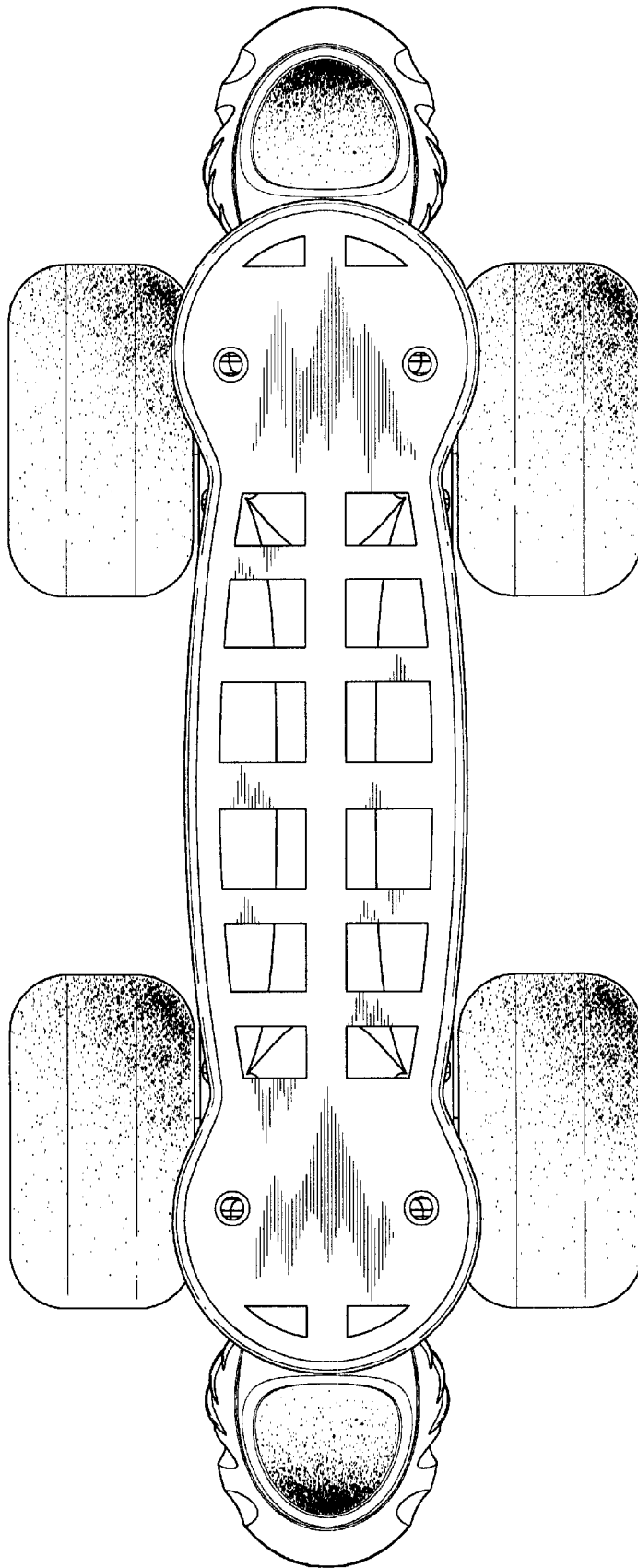


Fig. 6

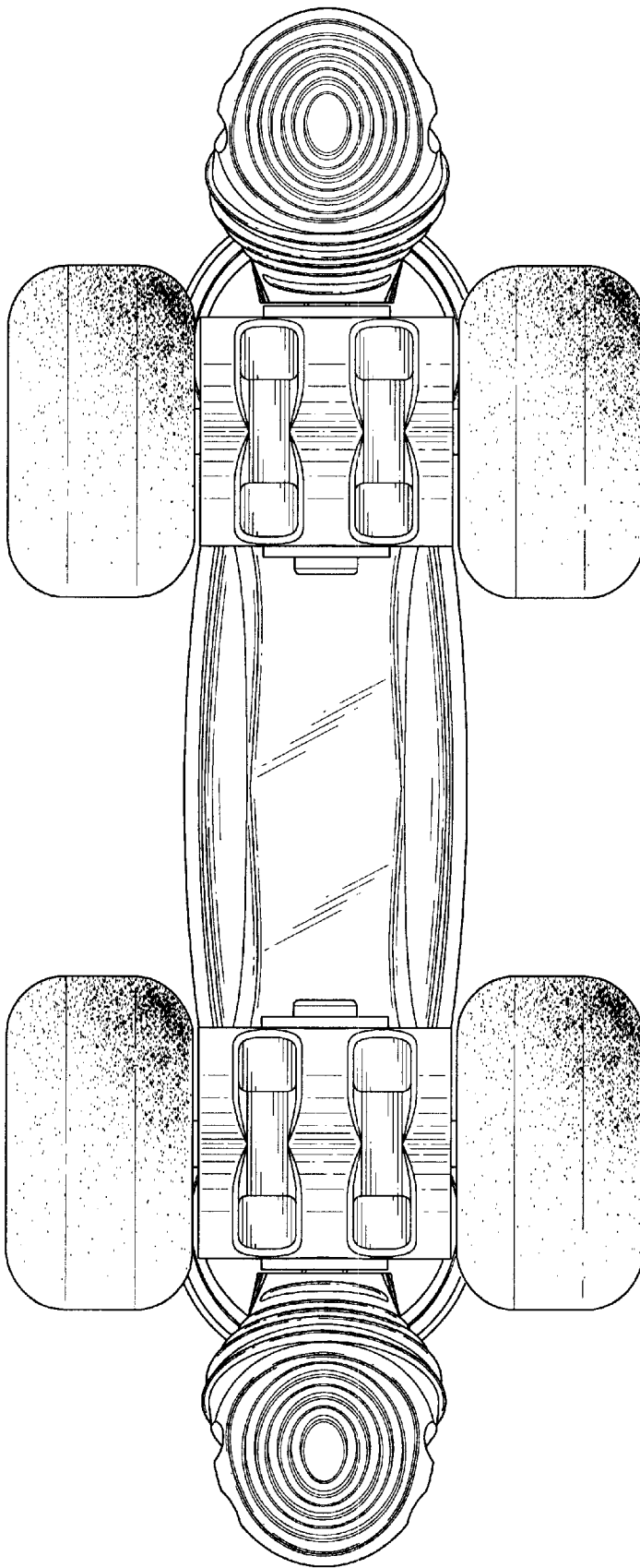


Fig. 7

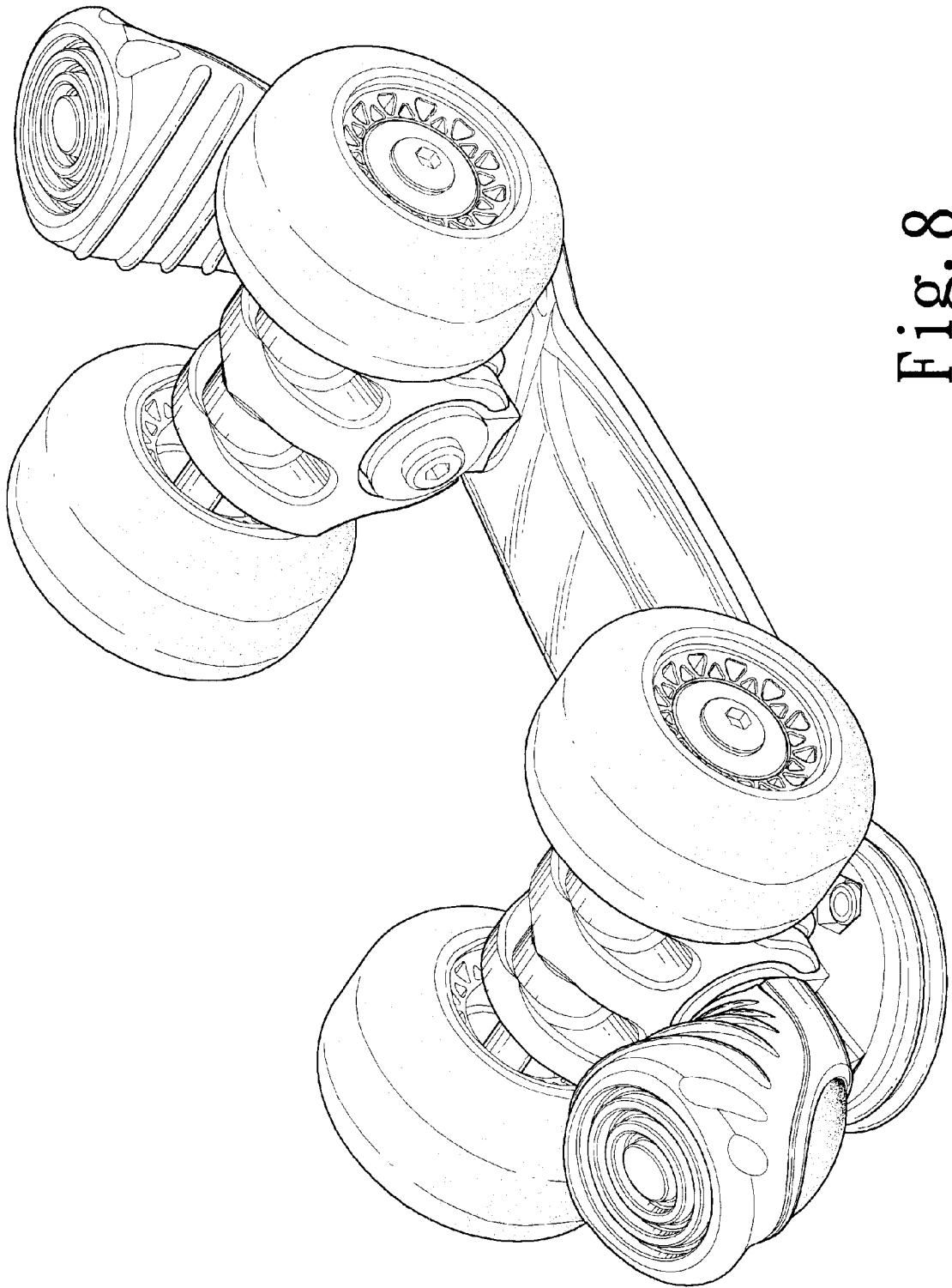


Fig. 8