



(12) **United States Design Patent**
Wojan et al.

(10) **Patent No.:** **US D799,005 S**
(45) **Date of Patent:** **** Oct. 3, 2017**

- (54) **HOSE NOZZLE**
- (71) Applicant: **PROFESSIONAL TOOL PRODUCTS, LLC**, Travelers Rest, SC (US)
- (72) Inventors: **Richard Glenn Wojan**, Travelers Rest, SC (US); **Chengju Hsu**, New Taipei (TW)
- (73) Assignee: **PROFESSIONAL TOOL PRODUCTS, LLC**, Travelers Rest, SC (US)

D473,286 S 4/2003 Bonzer
 D479,573 S 9/2003 Chen
 D482,428 S 11/2003 Fulwider
 D501,913 S 2/2005 Chen
 7,240,858 B2 7/2007 Wang
 7,434,750 B2 * 10/2008 Roman B05B 12/002
 239/526

D658,268 S 4/2012 Bonzer
 D677,362 S 3/2013 Christopher
 D690,798 S 10/2013 Bonzer
 8,584,768 B2 * 11/2013 Trapp A62C 31/03
 169/70

8,794,546 B2 8/2014 Elley et al.
 D726,872 S * 4/2015 Thurgood D23/223
 D736,349 S 8/2015 Wojan

(Continued)

(**) Term: **15 Years**

Primary Examiner — Robin V Webster
(74) *Attorney, Agent, or Firm* — J. Bennett Mullinax, LLC

(21) Appl. No.: **29/572,056**

(22) Filed: **Jul. 25, 2016**

(51) **LOC (10) Cl.** **23-01**

(52) **U.S. Cl.** **D23/223**
USPC

(58) **Field of Classification Search**
USPC D23/213, 223, 225, 226; 239/304, 239/DIG. 14, 146, 147; 222/465.1
CPC B05B 7/26; B05B 7/2443; B05B 9/0861; B05B 11/00; B05B 7/1413; B05B 9/01; B05B 9/03; B05B 7/1209; B05B 12/002; A62C 31/02; A62C 31/03
See application file for complete search history.

(57) **CLAIM**

The ornamental design for a hose nozzle, as shown and described.

DESCRIPTION

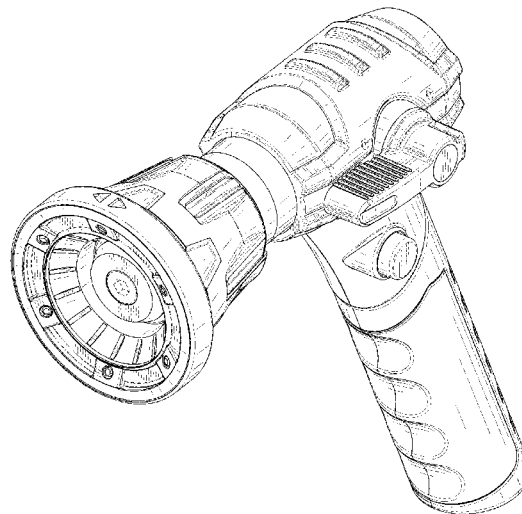
FIG. 1 is a front perspective view of the hose nozzle box according to the embodiment of the present design. FIG. 2 is a front view of the hose nozzle as shown in FIG. 1; FIG. 3 is a rear view of the hose nozzle as shown in FIG. 1; FIG. 4 is a right side view of the hose nozzle as shown in FIG. 1; FIG. 5 is a left side view of the hose nozzle as shown in FIG. 1; FIG. 6 is a top view of the hose nozzle as shown in FIG. 1; and, FIG. 7 is a bottom view of the hose nozzle as shown in FIG. 1. The broken lines shown in FIGS. 1-7 are for illustrative purposes only and form no part of the claimed design.

(56) **References Cited**

U.S. PATENT DOCUMENTS

3,093,318 A	6/1963	Chow	
3,387,791 A	6/1968	Allenbaugh, Jr.	
4,469,279 A	9/1984	Allenbaugh, Jr.	
D456,488 S	4/2002	Bonzer	
D461,228 S *	8/2002	Huang D23/223
D469,503 S	1/2003	Liang	
D472,300 S	3/2003	Chen	
D473,284 S	4/2003	Pong	

1 Claim, 7 Drawing Sheets



(56)

References Cited

U.S. PATENT DOCUMENTS

D749,697 S	2/2016	Wojan	
D757,898 S *	5/2016	Yu	D23/226
D767,091 S *	9/2016	Chen	D23/223

* cited by examiner

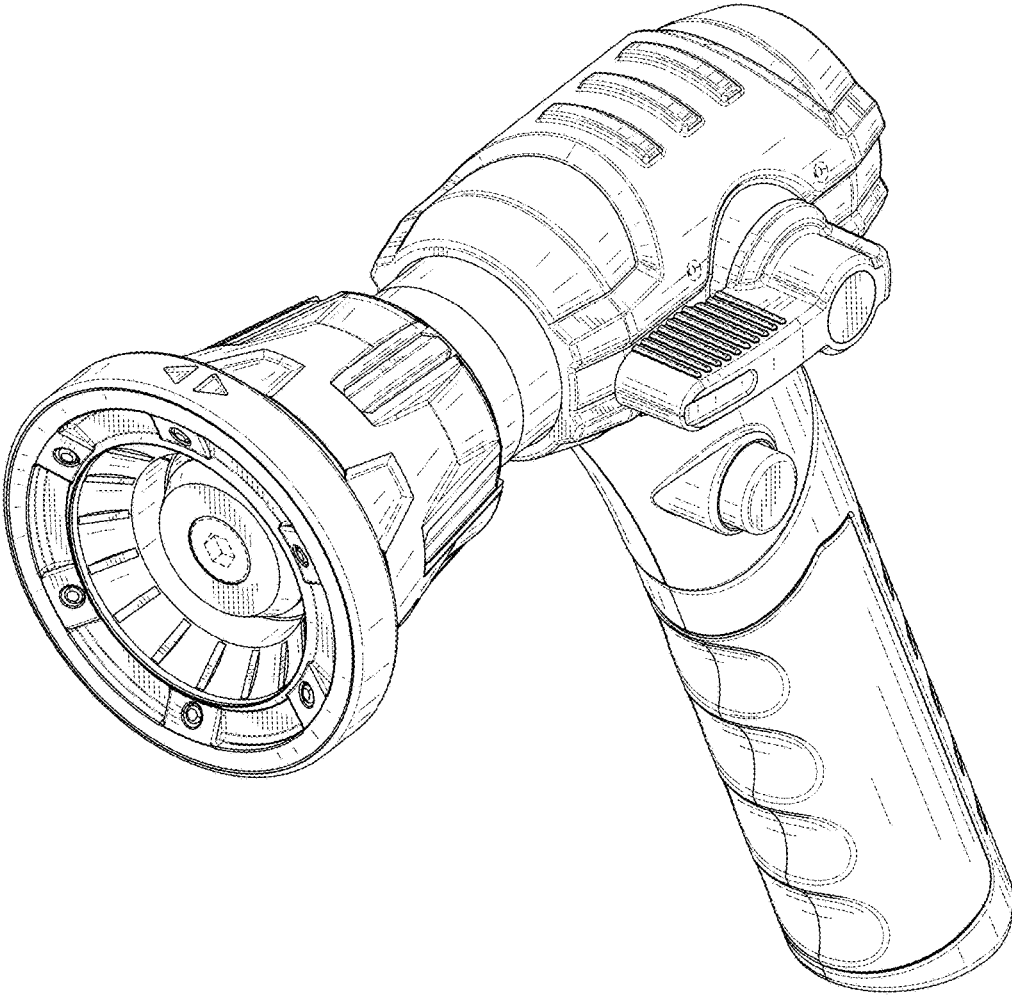


FIG. 1

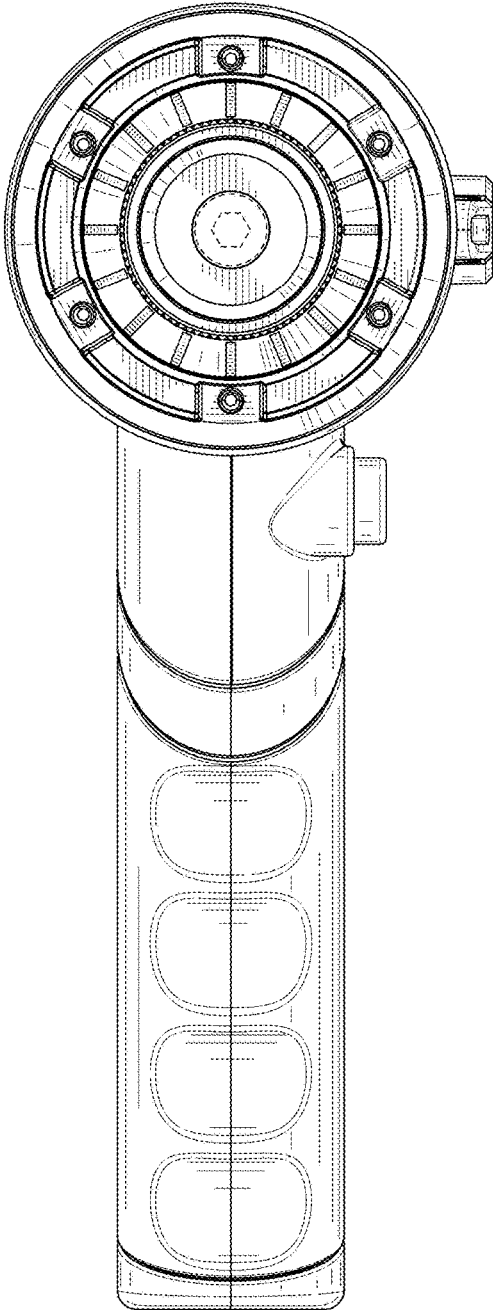


FIG. 2

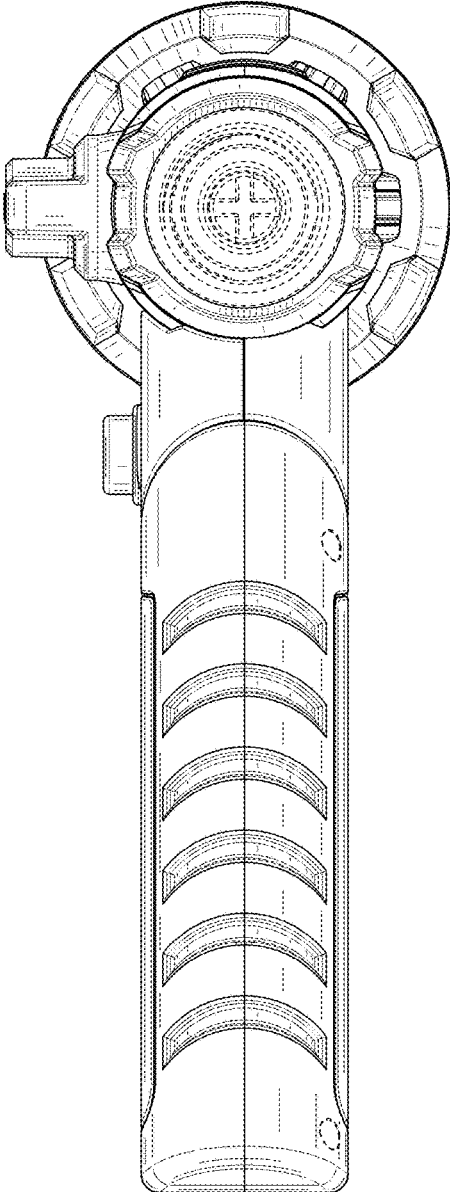


FIG. 3

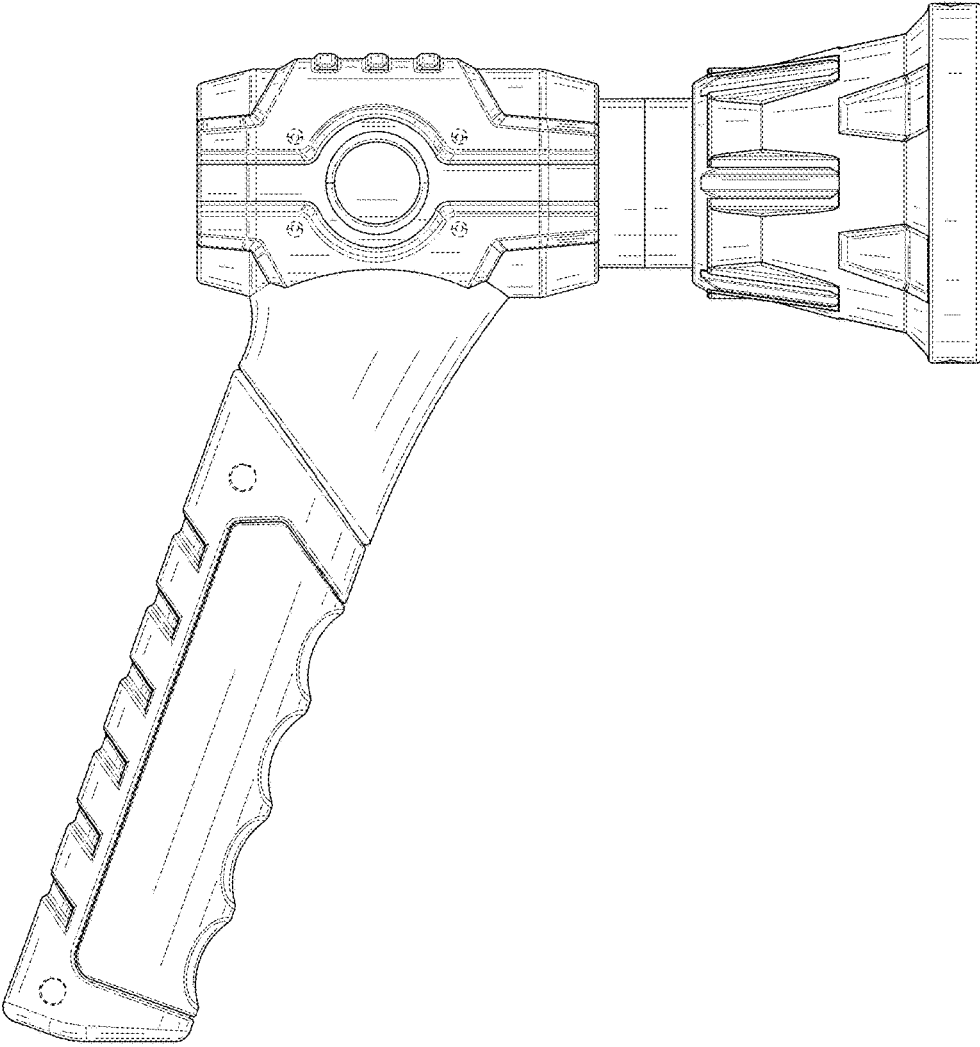


FIG. 4

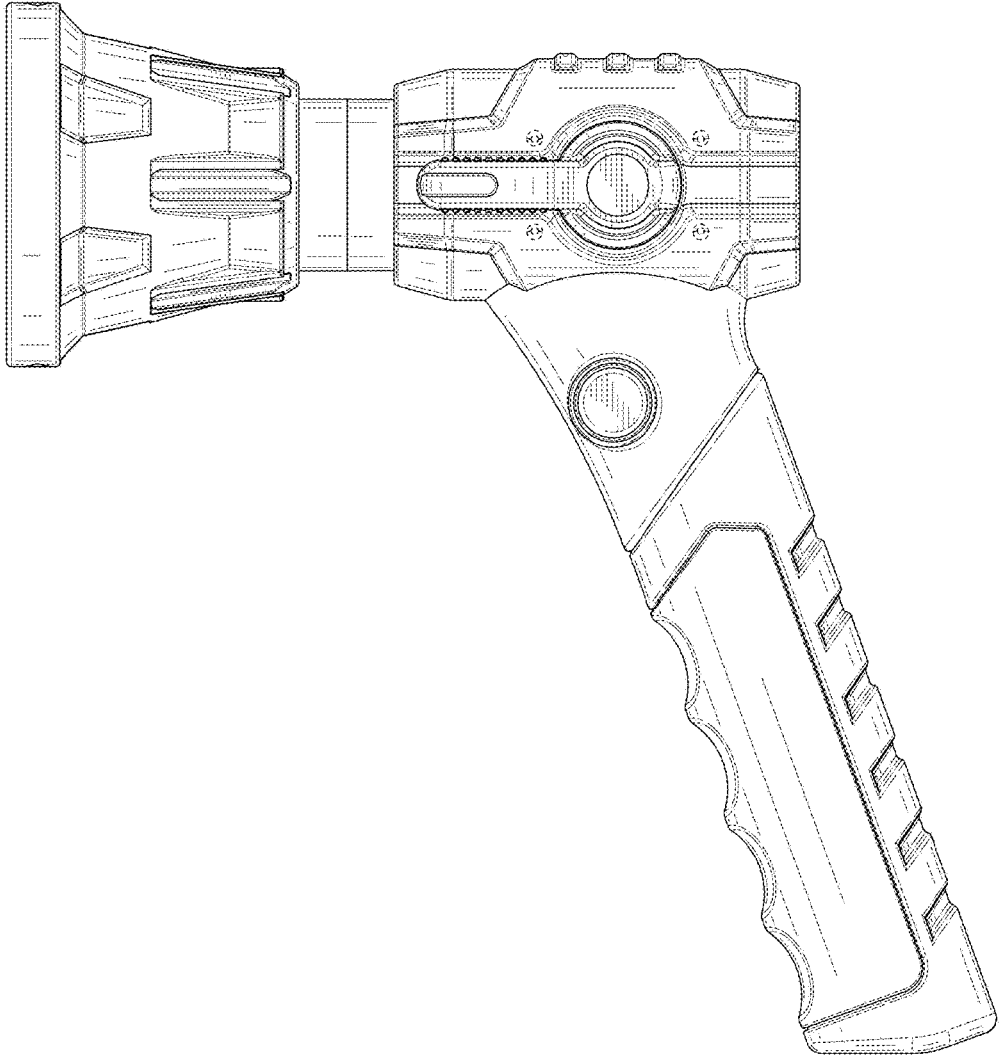


FIG. 5

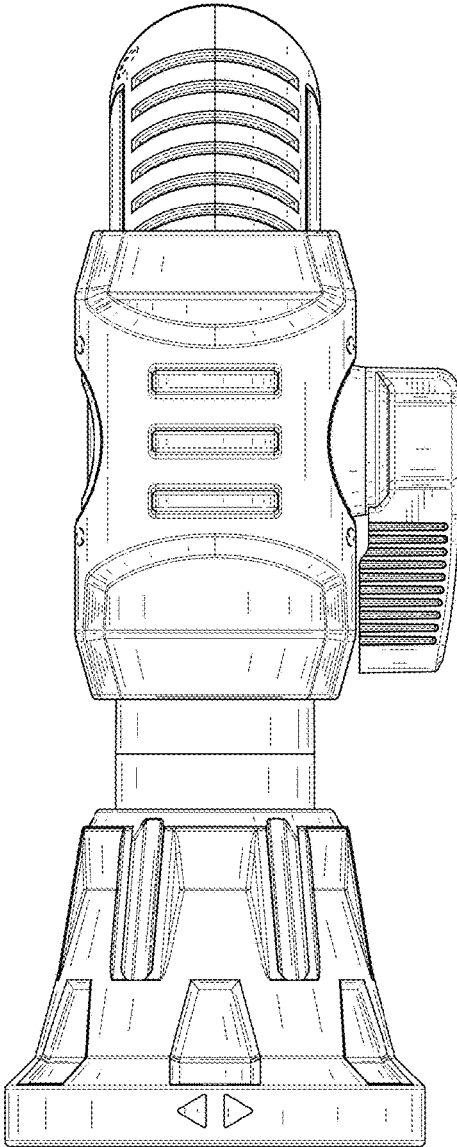


FIG. 6

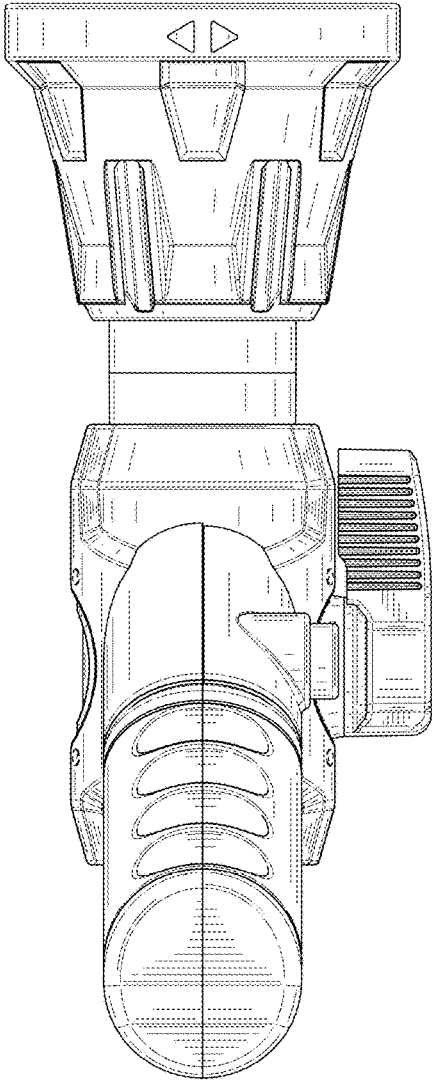


FIG. 7