



(12) **United States Design Patent** (10) **Patent No.:** **US D779,038 S**
Hanna et al. (45) **Date of Patent:** **** Feb. 14, 2017**

(54) **SHOWER FACEPLATE AND SHOWER DEVICE**

- (71) Applicant: **Kohler Co.**, Kohler, WI (US)
 (72) Inventors: **Kenneth Scott Hanna**, Bellingham, WA (US); **Gregory De Swarte**, Sheboygan, WI (US); **Leila Michelle Rubin**, Boone, NC (US); **Eugenio Duarte**, Sheboygan Falls, WI (US)
 (73) Assignee: **Kohler Co.**, Kohler, WI (US)
 (**) Term: **15 Years**
 (21) Appl. No.: **29/566,805**
 (22) Filed: **Jun. 2, 2016**

Related U.S. Application Data

- (60) Continuation of application No. 29/492,720, filed on Jun. 2, 2014, now Pat. No. Des. 759,197, which is a continuation of application No. 29/470,413, filed on Oct. 21, 2013, now Pat. No. Des. 707,329, which is a continuation of application No. 29/457,990, filed on Jun. 14, 2013, now abandoned, which is a division of application No. 29/415,587, filed on Mar. 12, 2012, now Pat. No. Des. 692,527.
 (51) **LOC (10) Cl.** **23-01**
 (52) **U.S. Cl.**
 USPC **D23/223**
 (58) **Field of Classification Search**
 USPC D23/213, 223, 226, 229, 230; 4/615; 239/526-7
 CPC B05B 1/18; B05B 1/00; B05B 9/01; E03C 1/06; A47K 3/28
 See application file for complete search history.

(56) **References Cited**

U.S. PATENT DOCUMENTS

- 3,088,675 A 5/1963 Bone
 3,608,650 A 9/1971 Matsusaka
 3,944,140 A 3/1976 Caton et al.
 (Continued)

FOREIGN PATENT DOCUMENTS

- CN 1761528 4/2006
 CN 202045027 11/2011
 (Continued)

OTHER PUBLICATIONS

Shower head photos, known at least as early as Mar. 12, 2012.
 (Continued)

Primary Examiner — Robin V Webster
 (74) *Attorney, Agent, or Firm* — Michael Best & Friedrich LLP

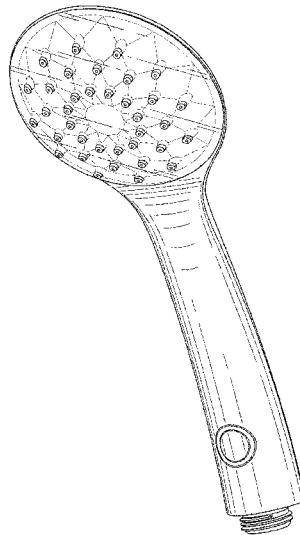
(57) **CLAIM**

We claim the ornamental design for a shower faceplate and shower device, as shown and described.

DESCRIPTION

FIG. 1 is a front perspective view of a shower device, such as a handshower.
 FIG. 2 is a front view of the shower device shown in FIG. 1.
 FIG. 3 is a rear view of the shower device shown in FIG. 1.
 FIG. 4 is a right side view of the shower device shown in FIG. 1.
 FIG. 5 is a left side view of the shower device shown in FIG. 1.
 FIG. 6 is a top view of the shower device shown in FIG. 1; and,
 FIG. 7 is a bottom view of the shower device shown in FIG. 1.

1 Claim, 5 Drawing Sheets



(56)

References Cited

U.S. PATENT DOCUMENTS

3,963,179	A	6/1976	Tomaro	D590,917	S	4/2009	Schoenherr et al.
4,272,022	A	6/1981	Evans	D592,276	S	5/2009	Schoenherr et al.
D267,581	S	1/1983	Mackay et al.	7,578,453	B1	8/2009	Wilson
4,545,083	A	10/1985	Searson	D610,230	S *	2/2010	Wu D23/223
4,561,593	A	12/1985	Cammack et al.	D610,231	S *	2/2010	Wu D23/223
4,618,100	A	10/1986	White et al.	D610,651	S *	2/2010	Wu D23/223
4,733,818	A	3/1988	Aghnides	7,740,186	B2	6/2010	Macan et al.
4,733,819	A	3/1988	Aghnides	7,762,479	B2	7/2010	Li
4,964,181	A	10/1990	Alpert	D630,706	S	1/2011	Giggs et al.
4,998,673	A	3/1991	Pilolla	7,918,408	B2	4/2011	Tshieh
5,215,258	A	6/1993	Jursich	D638,100	S	5/2011	Juan
5,228,625	A	7/1993	Grassberger	7,946,512	B2	5/2011	Schorn
5,329,650	A	7/1994	Zaccai et al.	8,028,935	B2	10/2011	Leber
5,405,089	A	4/1995	Heimann et al.	8,048,010	B2	11/2011	Ohashi et al.
5,518,181	A	5/1996	Shames et al.	D655,383	S	3/2012	Flowers et al.
5,535,779	A	7/1996	Huang	D659,797	S	5/2012	Farley
5,664,015	A	9/1997	Ford et al.	D667,928	S	9/2012	Cutler et al.
5,702,057	A	12/1997	Huber	D669,157	S	10/2012	Flowers et al.
5,730,362	A	3/1998	Cordes	D670,358	S *	11/2012	Bai D23/223
5,779,146	A	7/1998	Cutler	D672,011	S *	12/2012	Andrew D23/223
5,862,985	A	1/1999	Neibrook et al.	D672,433	S *	12/2012	Yoo D23/223
6,021,960	A	2/2000	Kehat	D680,619	S *	4/2013	Zhadanov D23/223
D423,083	S	4/2000	Haug et al.	D681,776	S *	5/2013	Cutler D23/223
D424,160	S	5/2000	Haug et al.	D692,527	S	10/2013	Hanna et al.
D424,161	S	5/2000	Haug et al.	D694,361	S	11/2013	Schoenherr et al.
D424,162	S	5/2000	Haug et al.	D707,329	S	6/2014	Hanna et al.
D424,163	S	5/2000	Haug et al.	D714,421	S	9/2014	Flowers et al.
D424,164	S	5/2000	Haug et al.	D719,240	S	12/2014	Hanna et al.
6,061,457	A	5/2000	Stockhamer	D737,931	S	9/2015	Schoenherr et al.
D428,110	S	7/2000	Haug et al.	2003/0029936	A1	2/2003	Clark
6,090,210	A	7/2000	Balance et al.	2004/0164184	A1	8/2004	Glunk
6,126,290	A	10/2000	Veigel	2004/0217209	A1	11/2004	Bui
D439,305	S	3/2001	Slothower	2004/0250851	A1	12/2004	Clark
D440,277	S	4/2001	Slothower	2004/0251323	A1	12/2004	Clark
D440,278	S	4/2001	Slothower	2004/0252422	A1	12/2004	Talbot et al.
D443,027	S	5/2001	Kollmann et al.	2005/0156062	A1	7/2005	Thomas et al.
D443,029	S	5/2001	Kollmann et al.	2006/0175437	A1	8/2006	Gross
6,263,524	B1	7/2001	Abdul	2007/0246577	A1	10/2007	Leber
D457,598	S	5/2002	Storti et al.	2008/0011880	A1	1/2008	Butzke et al.
6,439,472	B1	8/2002	Lin et al.	2008/0225517	A1	9/2008	Clark
6,444,039	B1	9/2002	Nguyen	2009/0114743	A1	5/2009	Thomas et al.
6,463,658	B1	10/2002	Larsson	2010/0037389	A1	2/2010	Gross
D465,263	S	11/2002	Tse	2010/0065665	A1	3/2010	Whitaker et al.
D465,551	S	11/2002	Tse	2010/0167551	A1	7/2010	DeDontney
D466,188	S	11/2002	Tse	2011/0031331	A1	2/2011	Klicpera
D489,793	S	5/2004	Haug et al.	2011/0073678	A1	3/2011	Qiu et al.
D492,004	S	6/2004	Haug et al.	2011/0139905	A1	6/2011	Chen et al.
D492,006	S	6/2004	Haug et al.	2012/0104114	A1	5/2012	Zhou et al.
D492,008	S	6/2004	Haug et al.	2013/0126646	A1	5/2013	Wu
D495,776	S	9/2004	Blomstrom	2013/0232684	A1	9/2013	Schumacher et al.
D497,974	S	11/2004	Haug et al.				
D498,514	S	11/2004	Haug et al.				
6,879,818	B2	4/2005	Wageneck				
D506,924	S	7/2005	Berner				
D509,424	S	9/2005	Berner				
D511,809	S	11/2005	Haug et al.				
D513,525	S	1/2006	Haug et al.				
6,983,898	B2	1/2006	Clark				
D518,145	S	3/2006	Nikles				
7,048,210	B2	5/2006	Clark				
D527,072	S	8/2006	Wu				
7,100,845	B1	9/2006	Hsieh				
7,111,798	B2	9/2006	Thomas et al.				
7,178,746	B2	2/2007	Gross				
D551,737	S	9/2007	Haug et al.				
7,269,862	B2	9/2007	Rooke et al.				
D557,763	S	12/2007	Schönherr et al.				
D557,764	S	12/2007	Schönherr et al.				
D557,765	S	12/2007	Schönherr et al.				
D562,937	S	2/2008	Schönherr et al.				
D562,938	S	2/2008	Blessing				
D564,067	S	3/2008	Lammel et al.				
D576,251	S	9/2008	Schoenherr et al.				
D590,477	S	4/2009	Schoenherr et al.				
D590,916	S	4/2009	Schoenherr et al.				

FOREIGN PATENT DOCUMENTS

CN	203408809	1/2014
DE	10108248	8/2002
EP	0348359	12/1989
EP	0435030	7/1991
EP	1479445	1/2004
EP	2638972	9/2013
GB	2337471	11/1999
WO	WO 9718041	5/1997

OTHER PUBLICATIONS

EP13158845.1 Extended European Search Report dated May 24, 2013 (7 pages).

Co-pending U.S. Appl. No. 29/450,323, filed Mar. 16, 2013.

Co-pending U.S. Appl. No. 29/450,310, filed Mar. 15, 2013.

Co-pending U.S. Appl. No. 29/450,306, filed Mar. 15, 2013.

Co-pending U.S. Appl. No. 29/457,990, filed Jun. 14, 2013.

United States Patent Office Notice of Allowance for U.S. Appl. No. 29/415,587 dated Jun. 7, 2013 (7 pages).

United States Patent Office Supplemental Notice of Allowance for U.S. Appl. No. 29/457,990 dated Sep. 24, 2013 (7 pages).

Co-pending U.S. Appl. No. 13/790,621, filed Mar. 8, 2013.

Co-pending U.S. Appl. No. 29/467,020, filed Sep. 13, 2013.

(56)

References Cited

OTHER PUBLICATIONS

United States Patent Office Notice of Allowance for U.S. Appl. No. 29/470,413 dated Jan. 31, 2014 (16 pages).

European Patent Office Search Report for Application No. 13193218.8 dated Apr. 17, 2014 (7 pages).

United States Patent Office Notice of Allowance for U.S. Appl. No. 29/450,323 dated Jun. 26, 2014 (8 pages).

United States Patent Office Notice of Allowance for U.S. Appl. No. 29/450,310 dated Jun. 25, 2014 (8 pages).

United States Patent Office Notice of Allowance for U.S. Appl. No. 29/450,306 dated Jun. 26, 2014 (8 pages).

United States Patent Office Notice of Allowance for U.S. Appl. No. 29/465,138 dated Aug. 5, 2014 (8 pages).

VS-3014 Caspian Showerhead, downloaded Jun. 27, 2014 <http://www.speakmancompany.com/products/detail/VS-3014> (1 page).

Grohe Power & Soul, 2013 (5 pages).

Australian Patent Office Examination Report for Application No. 2013201441 dated Sep. 17, 2014 (5 pages).

Extended European Search Report for Application No. 13193218.8 dated Aug. 27, 2014 (14 pages).

Examination Report from the Canadian Intellectual Property Office for Application No. 2,808,941 dated Mar. 11, 2015 (5 pages).

Office Action from the United States Patent and Trademark Office for U.S. Appl. No. 14/080,432 dated Apr. 30, 2015 (40 pages).

1st Office Action from The State Intellectual Property Office of the People's Republic of China for Application No. 201310077786.2 dated Jun. 3, 2015 (7 pages).

Office Action from the United States Patent and Trademark Office for U.S. Appl. No. 13/790,621 dated Jul. 2, 2015 (43 pages).

Final Office Action from the United States Patent and Trademark Office for U.S. Appl. No. 13/790,621 dated Jan. 20, 2016 (13 pages).

Second Office Action from the State Intellectual Property Office of the People's Republic of China for Application No. 201310077786.2 dated Jan. 21, 2016 (10 pages).

Office Action from the United States Patent and Trademark Office for U.S. Appl. No. 14/080,432 dated Jun. 10, 2016 (10 pages).

Notice of Allowance from the United States Patent and Trademark Office for U.S. Appl. No. 29/567,006 dated Oct. 4, 2016 (6 pages).

Notice of Allowance from the United States Patent and Trademark Office for U.S. Appl. No. 29/567,003 dated Oct. 13, 2016 (8 pages).

Notice of Allowance from the United States Patent and Trademark Office for U.S. Appl. No. 29/567,018 dated Oct. 11, 2016 (8 pages).

* cited by examiner

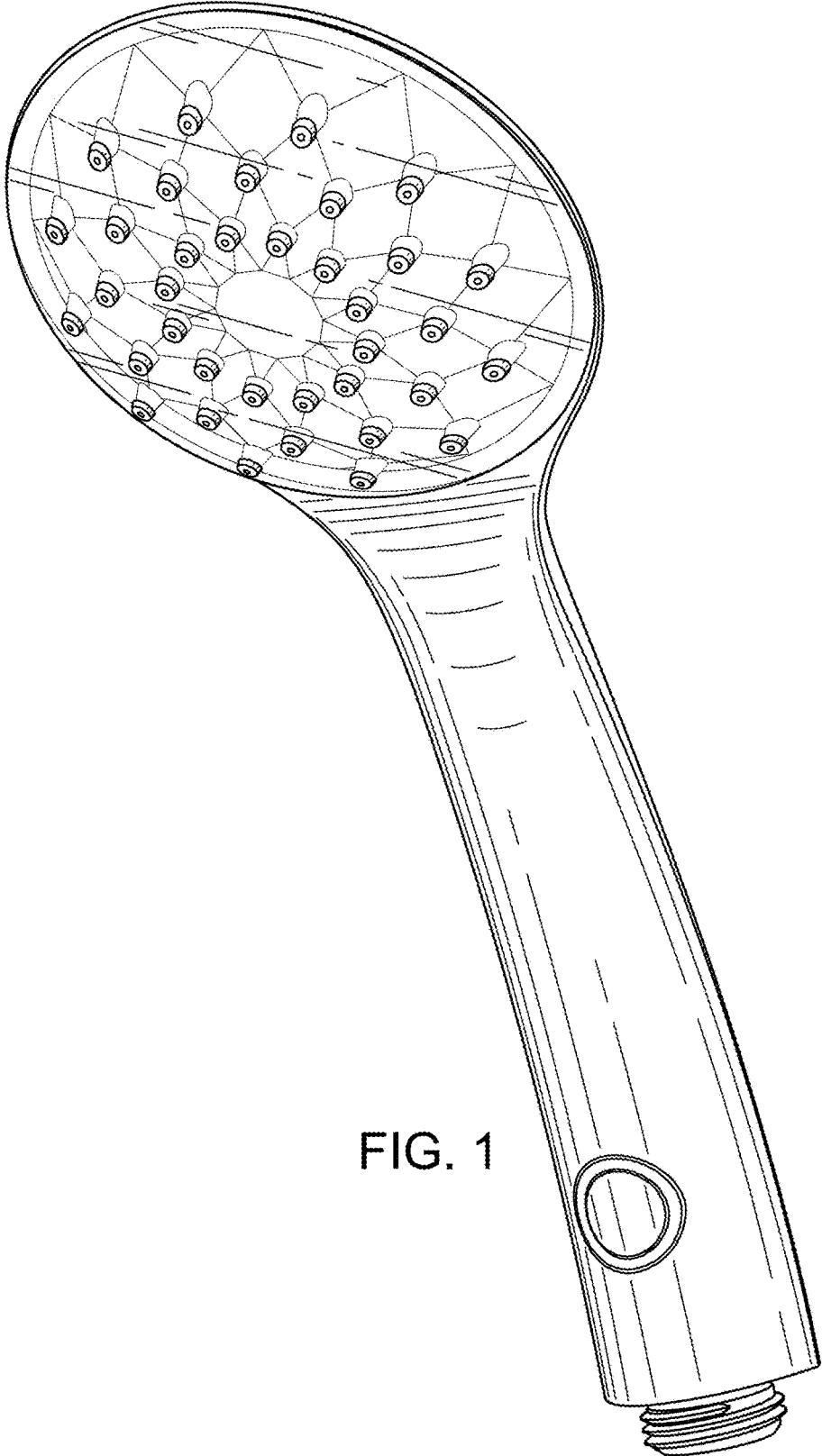


FIG. 1

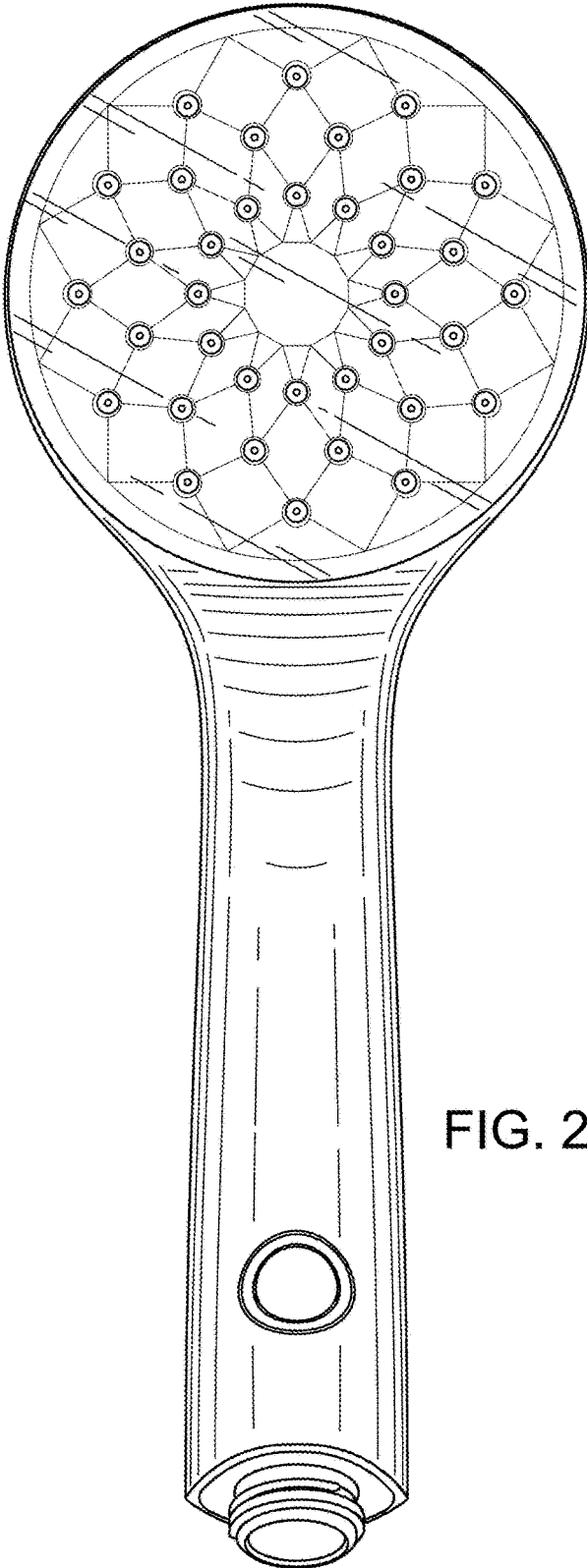


FIG. 2

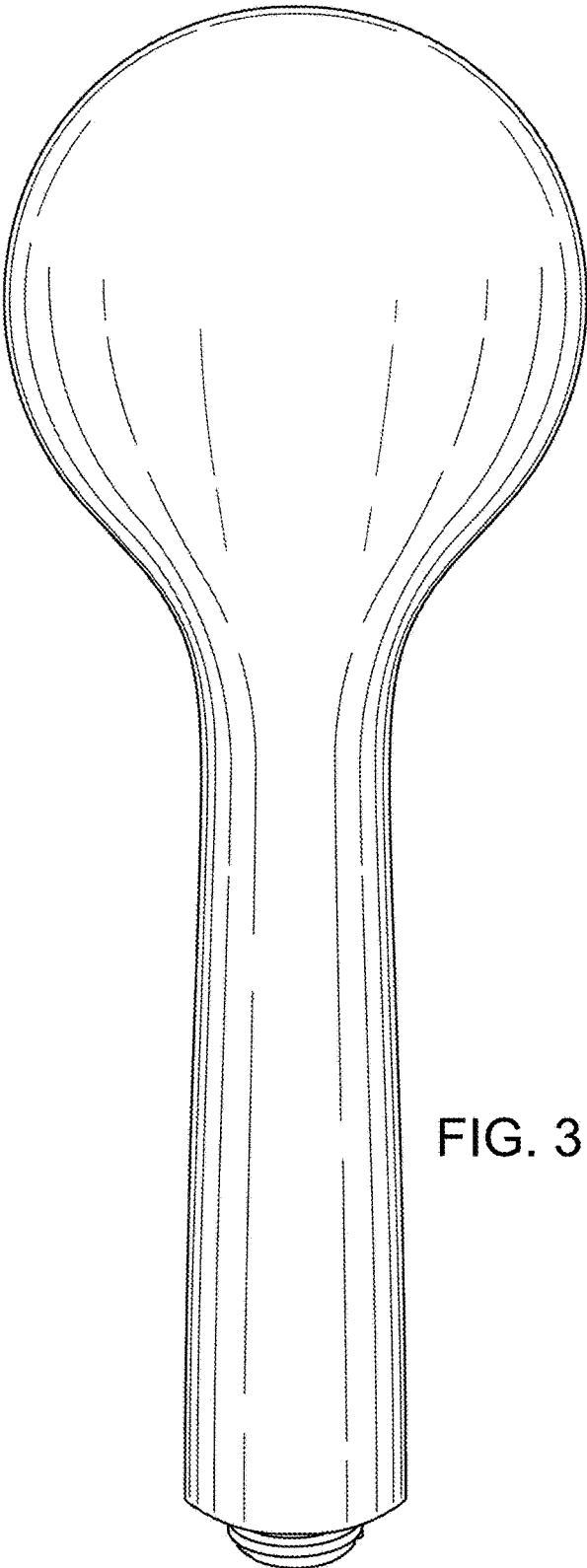


FIG. 3



FIG. 4



FIG. 5

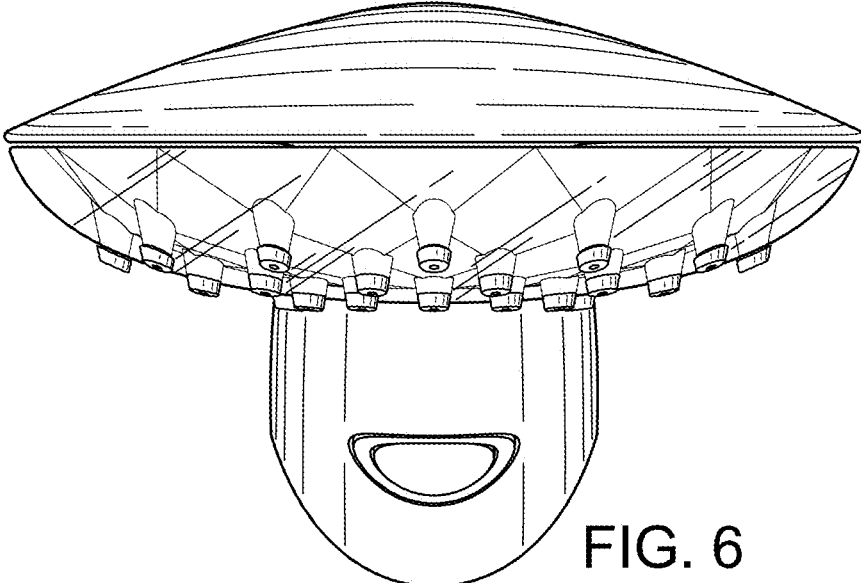


FIG. 6

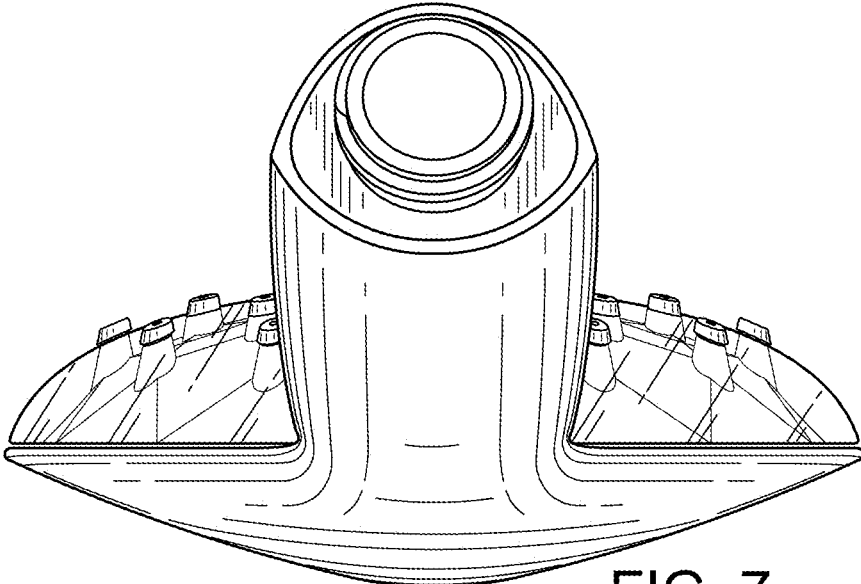


FIG. 7