

(19) World Intellectual Property Organization
International Bureau



(43) International Publication Date
5 December 2002 (05.12.2002)

PCT

(10) International Publication Number
WO 02/097311 A3

- (51) International Patent Classification⁷: F16K 31/385, B05B 1/30
- (21) International Application Number: PCT/US02/17225
- (22) International Filing Date: 30 May 2002 (30.05.2002)
- (25) Filing Language: English
- (26) Publication Language: English
- (30) Priority Data:
09/870,582 30 May 2001 (30.05.2001) US
- (71) Applicant: L.R. NELSON CORPORATION [US/US];
One Sprinkler Lane, Peoria, IL 61615 (US).
- (81) Designated States (*national*): AE, AG, AL, AM, AT, AU, AZ, BA, BB, BG, BR, BY, BZ, CA, CH, CN, CO, CR, CU, CZ, DE, DK, DM, DZ, EC, EE, ES, FI, GB, GD, GE, GH, GM, HR, HU, ID, IL, IN, IS, JP, KE, KG, KP, KR, KZ, LC, LK, LR, LS, LT, LU, LV, MA, MD, MG, MK, MN, MW, MX, MZ, NO, NZ, OM, PH, PL, PT, RO, RU, SD, SE, SG, SI, SK, SL, TN, TR, TT, TZ, UA, UG, UZ, VN, YU, ZA, ZM, ZW.
- (84) Designated States (*regional*): ARIPO patent (GH, GM, KE, LS, MW, MZ, SD, SL, SZ, TZ, UG, ZM, ZW), Eurasian patent (AM, AZ, BY, KG, KZ, MD, RU, TJ, TM), European patent (AT, BE, CH, CY, DE, DK, ES, FI, FR, GB, GR, IE, IT, LU, MC, NL, PT, SE, TR), OAPI patent (BF, BJ, CF, CG, CI, CM, GA, GN, GQ, GW, ML, MR, NE, SN, TD, TG).

Published:

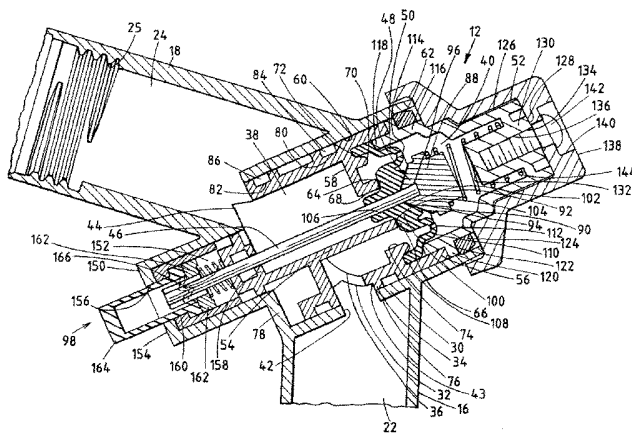
— with international search report

(88) Date of publication of the international search report:
24 April 2003

- (72) Inventors: HEREN, N., Lawrence; 125 Ottawa Ct., East Peoria, IL 61611 (US). JACOBS, Scott; 2403D North Pointe Drive, Bloomingdale, IL 61704 (US). CASICA, Timothy, R.; 9518 Brookview Drive, Peoria, IL 61615 (US).
- (74) Agents: TANG, Wayne, L. et al.; Mayer Brown, Rowe & Maw, P.O. Box 2828, Chicago, IL 60690-2828 (US).

For two-letter codes and other abbreviations, refer to the "Guidance Notes on Codes and Abbreviations" appearing at the beginning of each regular issue of the PCT Gazette.

(54) Title: ONE TOUCH ACTUATED VALVE



(57) Abstract: A one touch valve for activating fluid flow between an inlet conduit and an outlet conduit is disclosed. The valve has a flow cylinder (34) defining an inflow chamber (36) and an outflow chamber (38). The flow cylinder (34) an intermediate plate having a center collar (64) with an aperture (68). A flexible diaphragm (50) is provided with a sealing surface in contact with the collar (64) to create a seal. The diaphragm (50) has an edge coupled to the intermediate plate and a small diameter hole (114) providing fluid contact between the inflow chamber (36) and an intermediate chamber (40) A plunger (48) is placed on the diaphragm (50) to create a seal with the opposite surface of the diaphragm. A shaft (46) has one end connected to the plunger (48) and extends through the aperture (106) of the diaphragm (50). Pushing the shaft (46) causes the plunger (48) to separate from the diaphragm (50) creating fluid pressure on the diaphragm (50) contact surface to push the plunger (48) and causing the diaphragm (50) to separate from the collar (64) causing fluid to flow from the inflow chamber (36) through the aperture (114) to the outflow chamber (38).



WO 02/097311 A3

INTERNATIONAL SEARCH REPORT

Int: Application No
PCT/US 02/17225

A. CLASSIFICATION OF SUBJECT MATTER
IPC 7 F16K31/385 B05B1/30

According to International Patent Classification (IPC) or to both national classification and IPC

B. FIELDS SEARCHED
Minimum documentation searched (classification system followed by classification symbols)
IPC 7 F16K B05B

Documentation searched other than minimum documentation to the extent that such documents are included in the fields searched

Electronic data base consulted during the international search (name of data base and, where practical, search terms used)
EPO-Internal, WPI Data, PAJ

C. DOCUMENTS CONSIDERED TO BE RELEVANT

Category °	Citation of document, with indication, where appropriate, of the relevant passages	Relevant to claim No.
X	DE 29 02 410 A (HANSA METALLWERKE AG) 31 July 1980 (1980-07-31) page 4, line 3 -page 10, line 3 figure 1 ----	1-6, 11-22, 26-35, 38,40, 41,48-52
X	US 4 708 264 A (BRUNINGA KENNETH J) 24 November 1987 (1987-11-24) column 4, line 26 -column 5, line 14 figure 1 ---- -/--	1,10-12, 21, 25-28, 34, 39-41,48

Further documents are listed in the continuation of box C. Patent family members are listed in annex.

° Special categories of cited documents :

A document defining the general state of the art which is not considered to be of particular relevance	*T* later document published after the international filing date or priority date and not in conflict with the application but cited to understand the principle or theory underlying the invention
E earlier document but published on or after the international filing date	*X* document of particular relevance; the claimed invention cannot be considered novel or cannot be considered to involve an inventive step when the document is taken alone
L document which may throw doubts on priority claim(s) or which is cited to establish the publication date of another citation or other special reason (as specified)	*Y* document of particular relevance; the claimed invention cannot be considered to involve an inventive step when the document is combined with one or more other such documents, such combination being obvious to a person skilled in the art.
O document referring to an oral disclosure, use, exhibition or other means	*&* document member of the same patent family
P document published prior to the international filing date but later than the priority date claimed	

Date of the actual completion of the international search 3 December 2002	Date of mailing of the international search report 12/12/2002
--	--

Name and mailing address of the ISA European Patent Office, P.B. 5818 Patentlaan 2 NL - 2280 HV Rijswijk Tel. (+31-70) 340-2040, Tx. 31 651 epo nl, Fax: (+31-70) 340-3016	Authorized officer Awad, P
--	-----------------------------------

INTERNATIONAL SEARCH REPORT

Int	Application No
	PCT/US 02/17225

C.(Continuation) DOCUMENTS CONSIDERED TO BE RELEVANT

Category °	Citation of document, with indication, where appropriate, of the relevant passages	Relevant to claim No.
X	US 5 095 944 A (HOCHSTRASSER FERDINAND) 17 March 1992 (1992-03-17) column 7, line 11 -column 8, line 14 figures 1-7 ---	1, 11, 12, 21, 26-28, 34, 40, 41, 48
A	US 4 241 759 A (BILLETER HENRY R) 30 December 1980 (1980-12-30) column 3, line 40 -column 4, line 47 figure 6 ---	1, 21, 34, 42, 48
A	EP 0 888 709 A (UNIFLEX UTILTIME SPA) 7 January 1999 (1999-01-07) abstract; figure 3 ---	1, 21, 34, 42, 48
A	US 3 957 244 A (CHAUVIGNE MICHEL) 18 May 1976 (1976-05-18) abstract; figure 1 -----	1, 21, 34, 42, 48

INTERNATIONAL SEARCH REPORT

Information on patent family members

Int: Application No
PCT/US 02/17225

Patent document cited in search report		Publication date	Patent family member(s)	Publication date
DE 2902410	A	31-07-1980	DE 2902410 A1	31-07-1980
US 4708264	A	24-11-1987	CA 1275395 A1	23-10-1990
			EP 0207301 A1	07-01-1987
			JP 2064202 C	24-06-1996
			JP 7099210 B	25-10-1995
			JP 62004974 A	10-01-1987
			KR 9400141 B1	07-01-1994
US 5095944	A	17-03-1992	CH 680527 A5	15-09-1992
			AT 110453 T	15-09-1994
			CA 2030746 C	17-01-1995
			DE 59006899 D1	29-09-1994
			EP 0432552 A1	19-06-1991
			ES 2058732 T3	01-11-1994
US 4241759	A	30-12-1980	CA 1106727 A1	11-08-1981
			DE 2926374 A1	13-03-1980
			FR 2434980 A1	28-03-1980
			JP 55033994 A	10-03-1980
EP 0888709	A	07-01-1999	IT PN970040 A1	04-01-1999
			DE 69804272 D1	25-04-2002
			DE 69804272 T2	18-07-2002
			EP 0888709 A1	07-01-1999
			ES 2174350 T3	01-11-2002
US 3957244	A	18-05-1976	FR 2250059 A1	30-05-1975
			CH 580246 A5	30-09-1976
			DE 2450094 A1	15-05-1975
			GB 1439913 A	16-06-1976
			IL 46047 A	30-09-1976
			IT 1025282 B	10-08-1978
			JP 50112821 A	04-09-1975
			SE 408949 B	16-07-1979
			SE 7413638 A	02-05-1975