



- (51) International Patent Classification:
H04L 1/06 (2006.01)
- (21) International Application Number:
PCT/CN2013/075907
- (22) International Filing Date:
20 May 2013 (20.05.2013)
- (25) Filing Language: English
- (26) Publication Language: English
- (30) Priority Data:
61/648,961 18 May 2012 (18.05.2012) US
13/629,280 27 September 2012 (27.09.2012) US
- (71) Applicant: **HUAWEI TECHNOLOGIES CO., LTD.**
[CN/CN]; Huawei Administration Building, Bantian,
Longgang, Shenzhen, Guangdong 518129 (CN).
- (72) Inventors: **COZZO, Carmela**; 13532 Penfield Pt., San
Diego, California 92130 (US). **WANG, Zongjie**; Xin Jin-
qiao Road 2222, Pudong, Shanghai 200000 (CN).
- (81) Designated States (*unless otherwise indicated, for every
kind of national protection available*): AE, AG, AL, AM,
AO, AT, AU, AZ, BA, BB, BG, BH, BN, BR, BW, BY,
BZ, CA, CH, CL, CN, CO, CR, CU, CZ, DE, DK, DM,

DO, DZ, EC, EE, EG, ES, FI, GB, GD, GE, GH, GM, GT,
HN, HR, HU, ID, IL, IN, IS, JP, KE, KG, KM, KN, KP,
KR, KZ, LA, LC, LK, LR, LS, LT, LU, LY, MA, MD,
ME, MG, MK, MN, MW, MX, MY, MZ, NA, NG, NI,
NO, NZ, OM, PA, PE, PG, PH, PL, PT, QA, RO, RS, RU,
RW, SC, SD, SE, SG, SK, SL, SM, ST, SV, SY, TH, TJ,
TM, TN, TR, TT, TZ, UA, UG, US, UZ, VC, VN, ZA,
ZM, ZW.

- (84) Designated States (*unless otherwise indicated, for every
kind of regional protection available*): ARIPO (BW, GH,
GM, KE, LR, LS, MW, MZ, NA, RW, SD, SL, SZ, TZ,
UG, ZM, ZW), Eurasian (AM, AZ, BY, KG, KZ, RU, TJ,
TM), European (AL, AT, BE, BG, CH, CY, CZ, DE, DK,
EE, ES, FI, FR, GB, GR, HR, HU, IE, IS, IT, LT, LU, LV,
MC, MK, MT, NL, NO, PL, PT, RO, RS, SE, SI, SK, SM,
TR), OAPI (BF, BJ, CF, CG, CI, CM, GA, GN, GQ, GW,
ML, MR, NE, SN, TD, TG).

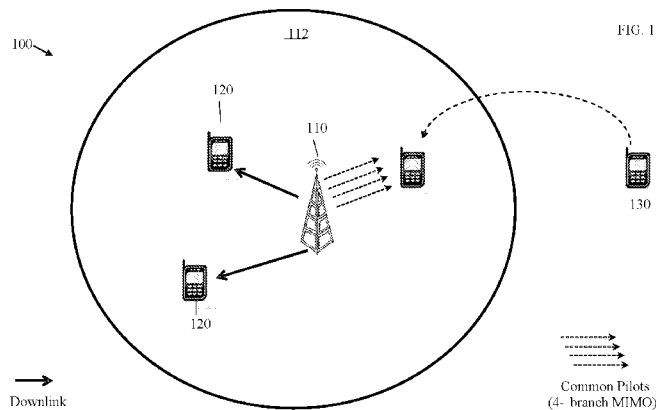
Declarations under Rule 4.17:

- *as to the applicant's entitlement to claim the priority of the
earlier application (Rule 4.17(iii))*

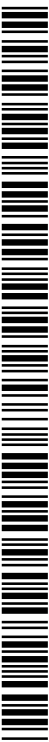
Published:

- *with international search report (Art. 21(3))*

(54) Title: SYSTEMS AND METHODS FOR SCHEDULING MULTIPLE-INPUT AND MULTIPLE-OUTPUT (MIMO) HIGH-SPEED DOWNLINK PACKET ACCESS (HSDPA) PILOT CHANNELS



(57) Abstract: Transitioning from basic higher order MIMO estimation to enhanced higher order MIMO estimation (and vice-versa) can be accomplished through the signaling of high-speed downlink packet access (HSDPA) shared control channel (HS-SCCH) orders to next-generation user equipments (UEs). A base station can be configured to send an HS-SCCH order indicating activation of scheduled pilot channels, and then begin transmitting the scheduled pilot channels after receiving an ACK message from at least one next-generation UE. A base station can also be configured to send an HS-SCCH order indicating de-activation of scheduled pilot channels to next-generation UEs scheduled for downlink transmission, and then stop transmitting the scheduled pilot channels after receiving ACK messages from each next-generation UE. Alternatively, scheduled pilot channels may be activated/de-activated upon expiration of a timeout period, even without receiving an ACK message from some or all of the next-generation UEs scheduled for downlink transmission.



SYSTEMS AND METHODS FOR SCHEDULING MULTIPLE-INPUT AND
MULTIPLE-OUTPUT (MIMO) HIGH-SPEED DOWNLINK PACKET ACCESS
(HSDPA) PILOT CHANNELS

[0001] This application claims the benefit of U.S. Provisional Application No. 61/648,961 filed on May 18, 2012, entitled “Systems and Methods for Scheduling MIMO HSDPA Pilot Channels,” which is incorporated herein by reference as if reproduced in its entirety.

TECHNICAL FIELD

[0002] The present invention relates to systems and methods for wireless communications, and, in particular embodiments, to systems and methods for scheduling multiple-input and multiple-output (MIMO) high-speed downlink packet access (HSDPA) pilot channels.

BACKGROUND

[0003] In high-speed downlink packet access (HSDPA) release eleven (rel-11), a 4-branch multiple-input and multiple-output (MIMO) transmission scheme is introduced at the Node B (NB) to support transmission of multiple data streams over multiple antennas. Specifically, the 4-branch MIMO transmission scheme multiplexes multiple transport blocks into two data streams, which are transmitted over four spatial layers. The NB will also transmit four common pilots (CPICH1, CPICH2, CPICH3 and CPICH4) over the four transmit antennas to provide 4-branch MIMO channel estimation for 4-branch MIMO capable UEs. UEs configured for higher order MIMO (e.g., higher than 2-branch MIMO) are referred to herein as next-generation UEs. As discussed herein, the terms ‘higher order MIMO’ and ‘multi-branch MIMO’ are used synonymously, and refer to any MIMO technique utilizing more than two transmission branches.

[0004] One consideration for the higher order MIMO transmission scheme is the increased inter-channel interference experienced by legacy user equipments (UEs) as a result of transmitting the multiple common pilots. Specifically, UEs lacking higher order MIMO functionality (referred to herein as legacy UEs) may not possess the means (e.g., Walsh codes, sufficient number of receive antennas, etc.) for demodulating the multiple common pilots, and

consequently may view the common pilots as interference in the code division multiple access (CDMA) downlink channel. To mitigate the interference experienced by legacy UEs, the multiple common pilots may maintain a low transmit-power level. However, in some instances, the low-transmit power of the multiple common pilot channels will not provide sufficiently accurate higher order MIMO channel estimation for the next-generation UEs. Since increasing the transmit-power of the common pilots is undesirable in so far as it would increase the interference experienced by legacy UEs, other mechanisms for improving higher order MIMO channel estimation for next-generation UEs without significantly increasing the interference experienced by legacy UEs are desired.

SUMMARY

[0005] Technical advantages are generally achieved, by embodiments of the present invention which describe systems and methods for scheduling MIMO HSDPA pilot channels.

[0006] In accordance with embodiments of this disclosure, a method for facilitating channel estimation is provided. In this example, the method comprises transmitting multiple common pilot channels over multiple transmit antennas to one or more next-generation user equipments (UEs). The method further includes sending a high-speed downlink packet access (HSDPA) shared control channel (HS-SCCH) order to the one or more next-generation UEs, where the HS-SCCH order signals transmission of one or more scheduled pilot channels. In one embodiment, the method transmitting the one or more scheduled pilot channels upon receiving a first acknowledgement (ACK) message from a first one of the next-generation UEs. In another embodiment, the method includes transmitting the one or more scheduled pilots when no ACK messages are received after expiration of a timeout period. The one or more scheduled pilots may be transmitted upon scheduling at least one of the one or more next-generation UEs to receive a downstream transmission after expiration of the timeout period. In each of the above-

mentioned embodiments, the one or more scheduled pilot channels are transmitted concurrently with the multiple common pilot channels. Apparatus for performing the above-mentioned methods are also provided.

[0007] In accordance with other embodiments, a method for transitioning from enhanced multiple-input and multiple-output (MIMO) channel estimation to basic MIMO channel estimation is provided. In this example, the method comprises simultaneously transmitting multiple common pilot channels and one or more scheduled pilot channels to one or more next-generation UEs. The method further includes sending an HS-SCCH order to the one or more next-generation UEs. The HSDPA order signals de-activation of the one or more scheduled pilot channels. In one embodiment, the method further includes de-activating transmission of the one or more scheduled pilot channels upon receiving ACK messages from each of the one or more next-generation UEs. In another embodiment, the method further includes de-activating transmission of the one or more scheduled pilot channels when downstream data transmission to any of the next-generation UEs stops. In yet another embodiment, the method further includes dis-continuing transmission of the one or more scheduled pilot channels upon expiration of a timeout period. Apparatus for performing the above-mentioned methods are also provided.

[0008] In select embodiments, power allocation for the common pilots may be lower than power allocation for the scheduled pilots. The scheduled pilots may be selectively transmitted when enhanced higher order MIMO channel estimation for demodulation is desired. Enhanced higher order MIMO channel estimation may enable next-generation UEs to perform demodulation, thereby allowing downlink MIMO transmission and increasing the bit-rate of the downlink transmission. The scheduled pilots may be selectively not transmitted when enhanced higher order MIMO channel estimation for demodulation is not desired, or when higher order MIMO channel estimation obtained from processing the common pilots only is sufficient for demodulation. Channel estimation derived from the common pilots only is referred to as basic higher order MIMO channel estimation. Embodiments of this disclosure may be implemented in

Universal Mobile Telecommunications System (UMTS) MIMO systems and devices, such as UMTS NodeBs and UEs that support HSDPA higher-order MIMO, where higher-order MIMO refers to more than 2 transmission branches.

BRIEF DESCRIPTION OF THE DRAWINGS

[0009] For a more complete understanding of the present invention, and the advantages thereof, reference is now made to the following descriptions taken in conjunction with the accompanying drawings, in which:

[0010] FIG. 1 illustrates an embodiment of a network for communicating data;

[0011] FIG. 2 illustrates another embodiment of a network for communicating data;

[0012] FIG. 3 illustrates yet another embodiment of a network for communicating data;

[0013] FIG. 4 illustrates a flowchart of an embodiment of a method for establishing higher order MIMO communication;

[0014] FIG. 5 illustrates a protocol diagram of an embodiment of a communication sequence for scheduled pilot signaling;

[0015] FIG. 6 illustrates a flowchart of an embodiment of a method for transitioning from transmission of common and scheduled pilots to transmission of common pilots only;

[0016] FIG. 7 illustrates a protocol diagram of an embodiment of a communications sequence for transitioning from the transmission of common and scheduled pilots to the transmission of common pilots only;

[0017] FIG. 8 illustrates a flowchart of an embodiment of a method for transitioning from the transmission of common pilots only to the transmission of common and scheduled pilots;

[0018] FIG. 9 illustrates a protocol diagram of an embodiment of a communications sequence for transitioning from the transmission of common pilots only to the transmission of common and scheduled pilots;

[0019] FIG. 10 illustrates a block diagram of an embodiment processing system; and

[0020] FIG. 11 illustrates a block diagram of an embodiment communications device.

[0021] Corresponding numerals and symbols in the different figures generally refer to corresponding parts unless otherwise indicated. The figures are drawn to clearly illustrate the relevant aspects of the various embodiments of this disclosure and are not necessarily drawn to scale.

DETAILED DESCRIPTION OF ILLUSTRATIVE EMBODIMENTS

[0022] The making and using of the presently presented embodiments are discussed in detail below. It should be appreciated, however, that the present invention provides many applicable inventive concepts that can be embodied in a wide variety of specific contexts. The specific embodiments discussed are merely illustrative of specific ways to make and use the invention, and do not limit the scope of the invention.

[0023] One alternative to increasing the transmit power of the common pilots is to transmit one or more additional pilot channels contemporaneously with the common pilots, while continuing to maintain the common pilots at a low-transmit power. These additional pilot channels are commonly known as scheduled common pilot channels (or demodulation pilots), and are referred to herein as scheduled pilots (for short). Hence, the terms ‘scheduled common pilot channels’, ‘demodulation pilots’, and ‘scheduled pilots’ may be used synonymously herein. These one or more scheduled pilots are transmitted over the same transmit antennas used to

transmit the common pilots, and serve to augment the higher order MIMO channel estimation provided by the common pilots.

[0024] Sufficiently accurate higher order MIMO channel estimation may be provided by transmitting the scheduled pilots together with the common pilots, even while maintaining a relatively low transmit power level for the common pilots (e.g., in order to mitigate the interference experience by legacy UEs). The scheduled pilots are selectively transmitted by the NB to provide accurate channel estimation by next-generation UEs, while the common pilots are transmitted by the NB continuously to allow migrating UEs to perform channel estimation upon entering the NB's coverage area. Selectively transmitting the scheduled pilots includes activating (i.e., transmitting) the scheduled pilots during some periods (e.g., when next-generation UEs are scheduled to receive downlink transmissions, etc.), while deactivating the scheduled pilots during other periods (e.g., to mitigate the interference experienced by legacy UEs when next-generation UEs are not receiving data or are not present in the NBs coverage area, etc.).

[0025] Before activating/de-activating the scheduled pilots, the NB may need to send downlink control signaling to next-generation UEs so that the next-generation UEs can modify their channel estimation/de-modulation settings accordingly. For instance, if the scheduled pilots are being activated, then the next-generation UE may need to re-configure its channel estimation technique to one that utilizes both common and scheduled pilots. Conversely, if the scheduled pilots are being deactivated, then the next-generation UE may need to re-configure its channel estimation technique to one that utilizes the common pilots (but does not rely on the scheduled pilots). The NB may elect to activate/de-activate the scheduled pilots in accordance with one or more factors. For instance, the NB may activate the scheduled pilots only when next-generation UEs are scheduled for downstream data transmission, or when transmitting at a certain data rate and/or with certain modulation.

[0026] However, there may be some instances where de-activating (i.e., not transmitting) the scheduled pilots is desirable even when the next-generation UEs are present in the NB's coverage area. For instance, if the ratio of legacy UEs to next-generation UEs is high, then the performance benefits derived from improved higher order MIMO channel estimation may be outweighed by the interference costs borne by the legacy UEs as a result of transmitting the scheduled pilots. Accordingly, a mechanism for selectively de-activating scheduled pilots when next-generation UEs are scheduled to receive downlink transmissions is desired.

[0027] Aspects of this disclosure provide mechanisms for selectively activating and de-activating scheduled pilots, as well as signaling protocol for supporting the selective activation and de-activation of pilots. Advantageously, the mechanisms allow for scheduled pilots to be transmitted or not transmitted at the discretion of the NB. Further, the signaling protocol ensures that higher order MIMO service is not interrupted, by requiring one or a series of acknowledgements (ACKs) before activating or deactivating the transmission of the scheduled pilots.

[0028] FIG. 1 illustrates a network 100 for communicating data. The network 100 comprises a base station (NB) 110 having a coverage area 112, a plurality of legacy user equipments (UEs) 120, and at least one next-generation UE 130. The NB 110 may be any component capable of providing wireless access to the legacy UE 120 and the next-generation UE 130. The NB 110 may provide wireless access by, *inter alia*, establishing an uplink connection (not shown) and/or a downlink connection (solid lines) with the legacy UEs 120. The legacy UEs 120 may be any component or collection of components that allow a user to establish a wireless connection. In embodiments, the legacy UEs may have fewer than four receive antennas, and consequently may be incapable of establishing multi-channel MIMO downlink connection. In some embodiments, the network 100 may comprise various other wireless devices, such as relays, femtocells, etc. The NB 110 may also provide wireless access to the next-generation UE 130. In embodiments, the next-generation UE 130 may migrate into the coverage area 112, and may perform higher

order MIMO channel estimation using the multiple common pilots in an attempt to establish a downlink connection (not shown in FIG. 1).

[0029] FIG. 2 illustrates a network 200 for communicating data. The network 200 may be similar in many respects to the network 100, in that the NB 210 may be configured to provide wireless access to the legacy UEs 220 and the next-generation UE 230. However, unlike the NB 110, the NB 210 has the next-generation UE 230 scheduled to receive a downlink transmission. Further, the NB 210 transmits two scheduled pilots (dashed lines) by virtue of having the next-generation UE 230 scheduled to receive a downlink transmission.

[0030] Aspects of the disclosure provide a mechanism (and supporting signaling) for activating the scheduled pilots while next-generation UEs are scheduled to receive downlink transmissions, when doing so is considered advantageous by the network. Other aspects of the disclosure provide a mechanism (and supporting signaling) for de-activating the scheduled pilots. Situations in which de-activating scheduled pilots is advantageous may include situations where the performance benefits derived from improved higher order MIMO channel estimation are outweighed by the interference costs borne by the legacy UEs. For instance, the scheduled pilots may be de-activated to maximize network throughput, or to provide better cell-edge coverage to legacy UEs.

[0031] FIG. 3 illustrates a network 300 for communicating data. The network 300 may be similar in many respects to the network 200, in that both the legacy UEs 320 and the next-generation UE 330 are scheduled to receive downlink transmissions from the NB 310. However, the NB 310 has the capability of activating/de-activating the transmission of the scheduled pilots, and under certain conditions the common pilots are the only higher order MIMO pilot transmission in the coverage area 312. Notably, the legacy UEs 320 will experience less CDMA interference than their counterparts (the legacy UEs 220) as a result of the scheduled pilot transmissions being de-activated in the coverage area 312.

[0032] Markedly, the scheduled pilots are selectively activated/de-activated, meaning that they are transmitted (or not-transmitted) depending on network conditions (e.g., load, downlink service requirements, channel conditions, etc.). FIG. 4 illustrates a method 400 for higher order MIMO communication. The method 400 begins at block 410, where the NB transmits common pilots. The common pilots may be transmitted continuously, so as to allow for migrating next-generation UEs to perform higher order MIMO channel estimation when establishing the downlink connection. Next, the method 400 proceeds to block 420, where the NB establishes one or more downlink connections for carrying higher order MIMO transmissions to one or more next-generation UEs. Thereafter, the method 400 proceeds to step 430, where it is determined whether or not to transmit the scheduled pilots. If the NB decides not to transmit the scheduled pilots, then the method 400 remains at step 430 until such time as the NB decides to transmit the scheduled pilots. If the NB decides to transmit the scheduled pilots, then the method 400 proceeds to step 440, where the NB signals activation of the scheduled pilots to the one or more next generation UEs. Thereafter, the method 400 proceeds to step 450, where the NB transmits scheduled pilots in conjunction with the common pilots. Next, the method 400 proceeds to step 460, where the NB determines whether or not to discontinue transmission of the scheduled pilots. If the NB decides to continue transmission of the scheduled pilots, then the method 400 remains at step 460 until such time as the NB decides to discontinue transmission of the scheduled pilots. If the NB decides to discontinue transmission of the scheduled pilots, then the method 400 proceeds to step 470, where the NB signals de-activation of the scheduled pilots to the one or more next generation UEs. Thereafter, the method 400 proceeds to step 480, wherein the NB stops transmitting the scheduled pilots. After the step 480, the method 400 reverts back to step 430, such that the determination as to whether to transmit the scheduled pilots may be updated in a dynamic fashion.

[0033] Signaling for suppression (or introduction) of the scheduled pilots may be performed via the HSDPA Shared Control CHannel (HS-SCCH). FIG. 5 illustrates a protocol 500 for

scheduled pilot signaling between an NB 520 and one or more next-generation UEs 531-533. The protocol 500 includes the communication of a plurality of HS-SCCH orders 541-543 from the NB 520 to the next-generation UEs 531-533. In response, the next-generation UEs 531-533 respond with a plurality of Acknowledgements (ACKs) 551-553. The HS-SCCH orders 541-543 may be communicated via the HS-SCCH, and may indicate the NB's 520 intention to activate or de-activate scheduled pilots. For instance, if scheduled pilots are currently being transmitted, then the HS-SCCH orders 541-543 may indicate an intention to suppress the scheduled pilots after receiving the ACKs 551-553. In such a case, the next-generation UEs 541-543 may transition from enhanced higher order MIMO channel estimation to basic higher order MIMO channel estimation upon receiving the HS-SCCH orders 541-543. On the other-hand, if scheduled pilots are not currently being transmitted, then the HS-SCCH orders 541-543 may indicate an intention to transmit the scheduled pilots. In such a case, the next-generation UEs 541-543 may transition from basic higher order MIMO channel estimation to enhanced higher order MIMO channel estimation upon receiving the HS-SCCH orders 541-543.

[0034] FIG. 6 illustrates a method 600 for transitioning from enhanced higher order MIMO channel estimation to basic higher order MIMO channel estimation. As discussed herein, enhanced higher order MIMO channel estimation refers to channel estimation performed in accordance with at least one scheduled pilot channel. In embodiments, enhanced higher order MIMO channel estimation may include instances where channel estimation is performed using only scheduled pilots, as well as instances where channel estimation is performed using scheduled pilots in conjunction with common pilots. The method 600 begins at step 610, where the NB transmits common and scheduled pilots. Next, the method 600 proceeds to step 620, where the NB sends HS-SCCH orders to all next-generation UEs. The HS-SCCH orders indicate that NB will stop transmitting the scheduled pilots at some point in the future. Upon receiving the HS-SCCH order, the next-generation UEs transmit an ACK to the NB, stop demodulating the scheduled pilot channel, and may switch to a channel estimation technique that does not rely on

the scheduled pilots (e.g., uses only the common pilots). The next-generation UEs may also change the uplink feedback format upon receiving the HS-SCCH order. Thereafter, the method 600 proceeds to step 630, where the NB receives an acknowledgement from the next-generation UEs. In some embodiments, the NB may wait until an acknowledgement has been received from each next-generation UE before stopping the transmission of the scheduled pilots in order to prevent an interruption in wireless access. That is, the downlink connection may be lost if the transmission of the scheduled pilots is stopped before a next-generation UEs transitions from enhanced higher order MIMO channel estimation to basic higher order MIMO channel estimation.

[0035] FIG. 7 illustrates a protocol diagram of an embodiment of a communications sequence 700 for transitioning from enhanced higher order MIMO channel estimation to basic higher order MIMO channel estimation. The communications sequence 700 takes place between a NB 702 and one or more next generation UEs 704, and begins when the NB 702 transmits both common and scheduled pilots 710 to the next generation UEs 704. Thereafter, the NB 702 sends an HS-SCCH order 720 to the higher order MIMO UE(s) 704 indicating that transmission of the scheduled pilots will stop at some point in the future. Thereafter, each of the next-generation UEs 704 transmits an acknowledgment 730 to the NB 702, indicating that the HS-SCCH order 720 was successfully received. Thereafter, the NB 702 de-activates the scheduled pilots.

[0036] In an embodiment, the NB 702 may not receive an ACK from each next-generation UE. In such embodiments, the NB 702 may continue to transmit the scheduled pilots so long as at least one next-generation UE is scheduled to receive downlink data transmissions. Once all next-generation UEs have either provided an ACK, or stopped receiving downlink data transmissions, the NB 702 may de-activate the scheduled pilots.

[0037] FIG. 8 illustrates a method 800 for transitioning from basic higher order MIMO channel estimation to enhanced higher order MIMO channel estimation. The method 800 begins

at step 810, where the NB transmits common pilots. Next, the method 800 proceeds to step 820, where the NB sends HS-SCCH orders to all next-generation UEs. The HS-SCCH orders indicate that the NB will begin transmitting the scheduled pilots. Upon receiving the HS-SCCH order, next-generation UEs may transmit an ACK to the NB and begin monitoring and/or receiving scheduled pilot channels. Upon detection/reception of the scheduled pilots, next-generation UEs may switch to a channel estimation technique that utilizes both common and scheduled pilots. The UE may also change the uplink feedback format upon receiving the HS-SCCH order. Next, the method 800 proceeds to step 830, where the NB receives an ACK message from at least one or more next-generation UEs. Thereafter, the method 800 proceeds to step 840, where the NB begins transmitting the scheduled pilots in addition to the common pilots. Notably, transmission of the scheduled pilots does not inhibit basic higher order MIMO channel estimation, and therefore the NB does not need to wait for an ACK message from each next-generation UE prior to transmitting the scheduled pilots.

[0038] In an embodiment, the NB 802 may not receive an ACK from each next-generation UE to which an HS-SCCH order was sent. This does not affect the NB's 802 activation of the scheduled pilots because the NB is configured to begin transmitting the scheduled pilots as soon as the first ACK is received, and therefore does not need to receive an ACK from every next-generation UE before activating the scheduled pilots. In another embodiment, the NB 802 may not receive an ACK from any of the next-generation UEs to which an HS-SCCH order was sent. In such embodiments, the NB will wait for ACK reception, and after a certain configurable time period (e.g., a time-out period), the NB will activate the scheduled pilots when starting the transmission of the downlink data channels.

[0039] FIG. 9 illustrates a protocol diagram of an embodiment of a communications sequence 900 for transitioning from basic higher order MIMO channel estimation to enhanced higher order MIMO channel estimation. The communications sequence 900 takes place between a NB 902 and one or more next generation UEs 904, and begins when the NB 902 transmits

common pilots 910 to the next generation UEs 904 without transmitting scheduled pilots.

Thereafter, the NB 902 sends an HS-SCCH order 920 to the higher order MIMO UEs 904 indicating that transmission of the scheduled pilots will begin at some point in the future.

Thereafter, the next-generation UEs 904 transmit acknowledgments to the NB 902, indicating that the HS-SCCH order 920 was successfully received. The acknowledgment 930 is the first acknowledgment to be received by NB 902. Thereafter, the NB 902 activates the scheduled pilots by transmitting both the common and scheduled pilots 940 to the next-generation UEs 904. Subsequently, the NB 902 performs a data transmission 950, which the next-generation UEs receive/process in accordance with enhanced higher order MIMO channel estimation.

[0040] HS-SCCH orders may be defined in 3GPP Technical Specifications 25.212, and may be used by the NB to order a UE action. Tables 1 and 2 illustrate examples of HS-SCCH orders that may be used to signal the change in the transmission of the pilot channels.

Table 1

	Order Type	Order Mapping			Activation States A= Activate; D = De-activate		
		<i>X_{order,1}</i>	<i>X_{order,2}</i>	<i>X_{order,3}</i>	1	2	3
<i>X_{order,1}</i> , <i>X_{order,2}</i>	<i>X_{order,1}</i> , <i>X_{order,2}</i> , <i>X_{order,3}</i>	<i>X_{order,1}</i>	<i>X_{order,2}</i>	<i>X_{order,3}</i>	Tx on Antenna 1 and Antenna 2 with Beamforming (Note 1)	Single Tx on Antenna 1 with no S-DPCC H	Single Tx on Antenna 2 with no S-DPCC H
01	011	1	1	1	A	D	D
		0	0	1	D	A	D
		0	1	0	D	D	A
		1	0	1	Unused (Reserved)		
		1	1	0	Unused (Reserved)		
		0	0	0	Unused (Reserved)		
		0	1	1	Unused (Reserved)		
		1	0	0	Unused (Reserved)		

Table 2

	Order Type	Order Mapping			Activation States A= Activate; D = De-activate
		$X_{ord,1}$	$X_{ord,2}$	$X_{ord,3}$	
$X_{ord,1}, X_{ord,2}$	$X_{ord,1}, X_{ord,2}, X_{ord,3}$				
11	010	1	1	1	Unused (Reserved)
		0	0	1	Unused (Reserved)
		0	1	0	Unused (Reserved)
		1	0	1	Unused (Reserved)
		1	1	0	Unused (Reserved)
		0	0	0	Unused (Reserved)
		0	1	1	Unused (Reserved)
		1	0	0	Unused (Reserved)

[0041] Table 1 provides a first example of an HS-SCCH order to be used for pilot channel signaling. Some orders may be presently used to achieve uplink (UL) closed-loop transmit diversity (CLTD), and can be also re-used for scheduled pilot activation/de-activation signaling. Unused orders may be used for scheduled pilot activation/de-activation signaling. Table 2 provides a second example of HS-SCCH order to be used for pilot channel signaling. In Table 2 a new order type is used, and any of the unused orders can be used for scheduled pilot activation/de-activation signaling.

[0042] In an embodiment, a NB may transmit common pilot channels at all times. In the same or other embodiments, the NB may stop transmitting scheduled pilots and the next-generation UEs perform basic higher order MIMO channel estimation; and the NB may transmit scheduled pilots when the next-generation UEs perform enhanced higher order MIMO channel estimation. Signaling related to transitioning to/from enhanced higher order MIMO channel estimation is discussed above. In such signaling, the ACK messages and the HS-SCCH orders may generally have arbitrary timings.

[0043] In some embodiments, some scheduled pilots may be non-precoded pilots, and may be controlled by the network. HS-SCCH orders may be used to change the activation status of scheduled pilots (including scheduled non-precoded pilots). If activated, scheduled pilots may be scheduled together with HS-PDSCH of a UE configured for 4 branch MIMO. In some

embodiments, a NB may wait to receive ACKs of the HS-SCCH order before activating/deactivating the scheduled pilots. In some embodiments, at least one scheduled non-precoded pilots are supported. In other embodiments, two or more scheduled non-precoded pilots are supported. In embodiments, the spreading code indices and power offsets for newly defined pilots are configured using RRC signaling. In embodiments, a third and fourth common pilot may use a common power offset, and the two scheduled non-precoded pilots may also use a common power offset. Although aspects of this disclosure are generally discussed in the context of higher order or higher order MIMO (e.g., 4-branch MIMO, etc.), principles discussed herein may also be applicable to other types of network configurations where additional pilot channels are activated/de-activated by means of HS-SCCH orders.

[0044] FIG. 10 is a block diagram of a processing system that may be used for implementing the devices and methods disclosed herein. Specific devices may utilize all of the components shown, or only a subset of the components, and levels of integration may vary from device to device. Furthermore, a device may contain multiple instances of a component, such as multiple processing units, processors, memories, transmitters, receivers, etc. The processing system may comprise a processing unit equipped with one or more input/output devices, such as a speaker, microphone, mouse, touchscreen, keypad, keyboard, printer, display, and the like. The processing unit may include a central processing unit (CPU), memory, a mass storage device, a video adapter, and an input/output (I/O) interface connected to a bus. The bus may be one or more of any type of several bus architectures including a memory bus or memory controller, a peripheral bus, video bus, or the like. The CPU may comprise any type of electronic data processor. The memory may comprise any type of system memory such as static random access memory (SRAM), dynamic random access memory (DRAM), synchronous DRAM (SDRAM), read-only memory (ROM), a combination thereof, or the like. In an embodiment, the memory may include ROM for use at boot-up, and DRAM for program and data storage for use while executing programs.

[0045] The mass storage device may comprise any type of storage device configured to store data, programs, and other information and to make the data, programs, and other information accessible via the bus. The mass storage device may comprise, for example, one or more of a solid state drive, hard disk drive, a magnetic disk drive, an optical disk drive, or the like. The video adapter and the I/O interface provide interfaces to couple external input and output devices to the processing unit. As illustrated, examples of input and output devices include the display coupled to the video adapter and the mouse/keyboard/printer coupled to the I/O interface. Other devices may be coupled to the processing unit, and additional or fewer interface cards may be utilized. For example, a serial interface such as Universal Serial Bus (USB) (not shown) may be used to provide an interface for a printer.

[0046] The processing unit also includes one or more network interfaces, which may comprise wired links, such as an Ethernet cable or the like, and/or wireless links to access nodes or different networks. The network interface allows the processing unit to communicate with remote units via the networks. For example, the network interface may provide wireless communication via one or more transmitters/transmit antennas and one or more receivers/receive antennas. In an embodiment, the processing unit is coupled to a local-area network or a wide-area network for data processing and communications with remote devices, such as other processing units, the Internet, remote storage facilities, or the like.

[0047] FIG. 11 illustrates a block diagram of an embodiment of a communications device 1100, which may be equivalent to one or more devices (e.g., UEs, NBs, etc.) discussed above. The communications device 1100 may include a processor 1104, a memory 1106, a cellular interface 1110, a supplemental wireless interface 1112, and a supplemental interface 1114, which may (or may not) be arranged as shown in FIG. 11. The processor 1104 may be any component capable of performing computations and/or other processing related tasks, and the memory 1106 may be any component capable of storing programming and/or instructions for the processor 1104. The cellular interface 1110 may be any component or collection of components that allows

the communications device 1100 to communicate using a cellular signal, and may be used to receive and/or transmit information over a cellular connection of a cellular network. The supplemental wireless interface 1112 may be any component or collection of components that allows the communications device 1100 to communicate via a non-cellular wireless protocol, such as a Wi-Fi or Bluetooth protocol, or a control protocol. The supplemental interface 1114 may be component or collection of components that allows the communications device 1100 to communicate via a supplemental protocol, including wire-line protocols. In embodiments, the supplemental interface 1114 may allow the device 1100 to communicate with a backhaul network.

[0048] While this invention has been described with reference to illustrative embodiments, this description is not intended to be construed in a limiting sense. Various modifications and combinations of the illustrative embodiments, as well as other embodiments of the invention, will be apparent to persons skilled in the art upon reference to the description. It is therefore intended that the appended claims encompass any such modifications or embodiments.

WHAT IS CLAIMED IS:

1. A method for facilitating channel estimation, the method comprising:
 - transmitting multiple common pilot channels over multiple transmit antennas to one or more next-generation user equipments (UEs);
 - sending a high-speed downlink packet access (HSDPA) shared control channel (HS-SCCH) order to the one or more next-generation UEs, the HS-SCCH order signaling transmission of one or more scheduled pilot channels;
 - receiving a first acknowledgement (ACK) message from a first one of the one or more next-generation UEs; and
 - transmitting the one or more scheduled pilot channels upon receiving the first ACK message, wherein the one or more scheduled pilot channels are transmitted concurrently with the multiple common pilot channels.
2. The method of claim 1, wherein transmission of the one or more scheduled pilot channels occurs before ACK messages are received from each of the one or more next-generation UEs.
3. The method of claim 1, wherein each of the scheduled pilot channels and each of the common pilot channels are modulated using a unique one of a plurality of code division multiple access (CDMA) spreading sequences.
4. The method of claim 1, wherein each of the multiple common pilot channels are transmitted over a different one of the multiple transmit antennas.
5. The method of claim 4, wherein the one or more scheduled pilot channels are transmitted over the same multiple transmit antennas used to transmit the multiple common pilot channels.
6. The method of claim 5, wherein each of the one or more scheduled pilot channels are transmitted over a different one of the multiple transmit antennas.

7. The method of claim 1, wherein sending the HS-SCCH order to the one or more next-generation UEs comprises:

broadcasting a common HS-SCCH order to at least two of the one or more next-generation UEs.

8. The method of claim 1, wherein sending the HS-SCCH order to the one or more next-generation UEs comprises:

sending a unique HS-SCCH order to each of the one or more next-generation UEs.

9. A method for facilitating channel estimation, the method comprising:

transmitting multiple common pilot channels over multiple transmit antennas to one or more next-generation user equipments (UEs);

sending a high-speed downlink packet access (HSDPA) shared control channel (HS-SCCH) order to the one or more next-generation UEs, the HS-SCCH order signaling transmission of one or more scheduled pilot channels;

determining that a timeout period has expired before an acknowledgement (ACK) message is received from any of the one or more next-generation UEs; and

after expiration of the timeout period, transmitting the one or more scheduled pilot channels upon scheduling at least one of the one or more next-generation UEs to receive a downstream transmission.

10. A base station comprising:

multiple transmit antennas;

a processor; and

a computer readable storage medium storing programming for execution by the processor, the programming including instructions to:

transmit multiple common pilot channels over the multiple transmit antennas,

wherein each of the multiple common pilots are transmitted over a different one of the multiple transmit antennas;

send a high-speed downlink packet access (HSDPA) shared control channel (HS-SCCH) order to one or more next-generation user equipments (UEs), wherein the HS-SCCH order indicates transmission of one or more scheduled pilot channels;

receive a first acknowledgement (ACK) message from a first one of the one or more next-generation UEs; and

upon receiving the first ACK message, transmit the one or more scheduled pilot channels over one or more of the multiple transmit antennas, wherein the one or more scheduled pilot channels are transmitted contemporaneously with the multiple common pilots.

11. The base station of claim 10, wherein the programming further comprises instructions to: modulate each of the scheduled pilot channels and each of the common pilot channels using a unique one of a plurality of code division multiple access (CDMA) spreading sequences.

12. A wireless device comprising:

multiple receive antennas;

a processor; and

a computer readable storage medium storing programming for execution by the processor, the programming including instructions to:

receive multiple common pilot channels over the multiple receive antennas;

perform basic multi-branch multiple-input and multiple-output (MIMO) channel estimation in accordance with the multiple common pilot channels;

receive a high-speed downlink packet access (HSDPA) shared control channel (HS-SCCH) order from a base station;

determine that the HS-SCCH order indicates transmission of one or more

scheduled pilot channels;

receive one or more scheduled pilot channels over one or more of the multiple receive antennas in response to determining that the HS-SCCH order indicates transmission of one or more scheduled pilot channels; and

perform enhanced multi-branch MIMO channel estimation using the multiple common pilot channels and the one or more scheduled pilot channels.

13. The wireless device of claim 12, wherein the programming further includes instructions to:

send an acknowledgement (ACK) message to the base station in response to determining that the HS-SCCH order indicates transmission of one or more scheduled pilot channels.

14. A method for transitioning from enhanced multiple-input and multiple-output (MIMO) channel estimation to basic MIMO channel estimation, the method comprising:

simultaneously transmitting multiple common pilot channels and one or more scheduled pilot channels to one or more next-generation user equipments (UEs);

sending a high-speed downlink packet access (HSDPA) shared control channel (HS-SCCH) order to the one or more next-generation UEs, the HSDPA order signaling de-activation of the one or more scheduled pilot channels;

receiving acknowledgement (ACK) messages from the one or more next-generation UEs; and

de-activating transmission of the one or more scheduled pilot channels upon receiving the ACK messages from the one or more next-generation UEs.

15. The method of claim 14, wherein the one or more scheduled pilot channels are transmitted up until an ACK message is received from each of the one or more next-generation UEs.

16. The method of claim 14, wherein de-activating transmission of the one or more scheduled pilot channels comprises not transmitting the one or more scheduled pilot channels.

17. The method of claim 14, wherein the one or more scheduled pilot channels are transmitted concurrently with the common pilot channels, and wherein each of the one or more scheduled pilot channels and each of the multiple common pilot channels are modulated using a unique one of a plurality of code division multiple access (CDMA) spreading sequences.

18. A method for transitioning from enhanced multiple-input and multiple-output (MIMO) channel estimation to basic MIMO channel estimation, the method comprising:

simultaneously transmitting multiple common pilot channels and one or more scheduled pilot channels to one or more next-generation user equipments (UEs);

sending a high-speed downlink packet access (HSDPA) shared control channel (HS-SCCH) order to the one or more next-generation UEs, the HSDPA order signaling de-activation of the one or more scheduled pilot channels; and

discontinuing transmission of the one or more pilots without receiving an acknowledgement (ACK) message from a first next-generation UE of the one or more next-generation UEs, wherein the one or more scheduled pilot channels are transmitted for as long as the first next-generation UE is scheduled to receive downstream transmissions.

19. A method for transitioning from enhanced multiple-input and multiple-output (MIMO) channel estimation to basic MIMO channel estimation, the method comprising:

simultaneously transmitting multiple common pilot channels and one or more scheduled pilot channels to one or more next-generation user equipments (UEs);

sending a high-speed downlink packet access (HSDPA) shared control channel (HS-SCCH) order to the one or more next-generation UEs, the HSDPA order signaling de-activation of the one or more scheduled pilot channels; and

dis-continue transmission of the one or more scheduled pilot channels upon expiration of a timeout period, wherein the timeout period expires before acknowledgement (ACK) messages associated with the HS-SCCH orders are received from at least one of the one or more next-generation UEs.

20. A base station comprising:

multiple transmit antennas;

a processor; and

a computer readable storage medium storing programming for execution by the processor, the programming including instructions to:

simultaneously transmit multiple common pilot channels and one or more scheduled pilot channels over the multiple transmit antennas, wherein each of the multiple common pilot channels are transmitted over a different one of the multiple transmit antennas, and wherein each of the one or more scheduled pilot channels are transmitted over a different one of the multiple transmit antennas;

send a high-speed downlink packet access (HSDPA) shared control channel (HS-SCCH) order to one or more next-generation user equipments (UEs), wherein the HS-SCCH order signals de-activation of the one or more scheduled pilot channels;

receive acknowledgement (ACK) messages from each of the one or more next-generation UEs; and

dis-continue transmission of the one or more scheduled pilot channels upon receiving the ACK messages from each of the one or more next-generation UEs.

21. The base station of claim 20, wherein the programming further comprises instructions to:

continue to transmit the one or more scheduled pilot channels until an ACK message has been received from each of the one or more next-generation UEs.

22. The base station of claim 20, wherein the instructions further comprises instructions to:
modulate each of the scheduled pilot channels and each of the common pilot channels
using a unique one of a plurality of code division multiple access (CDMA) spreading sequences.
23. A wireless device comprising:
multiple receive antennas;
a processor; and
a computer readable storage medium storing programming for execution by the processor,
the programming including instructions to:
receive multiple common pilot channels and one or more scheduled pilot channels
over the multiple receive antennas;
perform enhanced higher-order multiple-input and multiple-output (MIMO)
channel estimation in accordance with the multiple common pilot channels and the one or
more scheduled pilot channels;
receive a high-speed downlink packet access (HSDPA) shared control channel
(HS-SCCH) order from a base station, the HS-SCCH order indicating deactivation of the
one or more scheduled pilot channels; and
determine that the HS-SCCH order indicates deactivation of the one or more
scheduled pilot channels; and
transition from the enhanced higher-order MIMO channel estimation to basic
higher-order MIMO channel estimation station in response to determining that the HS-
SCCH order indicates deactivation of the one or more scheduled pilot channels, wherein
the basic higher-order MIMO channel estimation includes monitoring the multiple
common pilot channels without monitoring the one or more scheduled pilot channels.
24. The wireless device of claim 23, wherein the programming further includes instructions
to:

send an acknowledgement (ACK) message to the base station in response to determining that the HS-SCCH order indicates deactivation of the one or more scheduled pilot channels.

25. The wireless device of claim 23, wherein the enhanced multi-branch MIMO channel estimation provides a higher data rate than the basic multi-branch MIMO channel estimation.

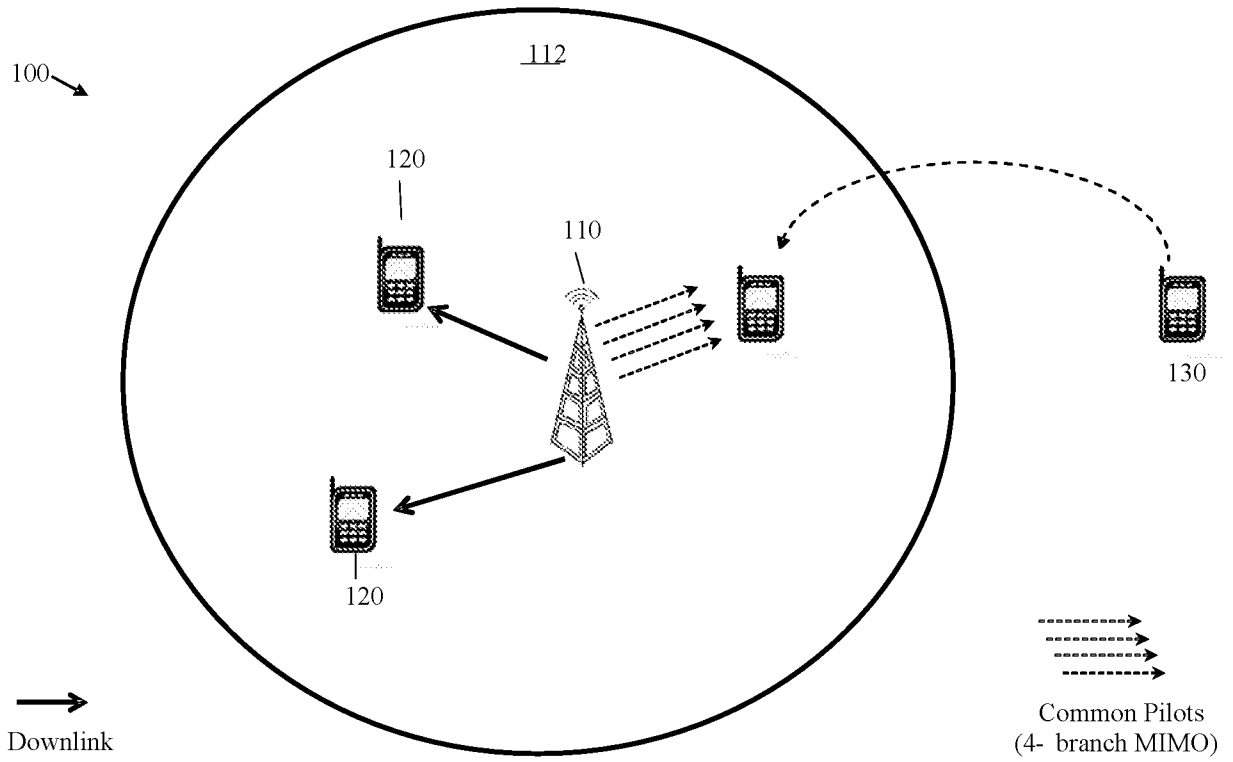


FIG. 1

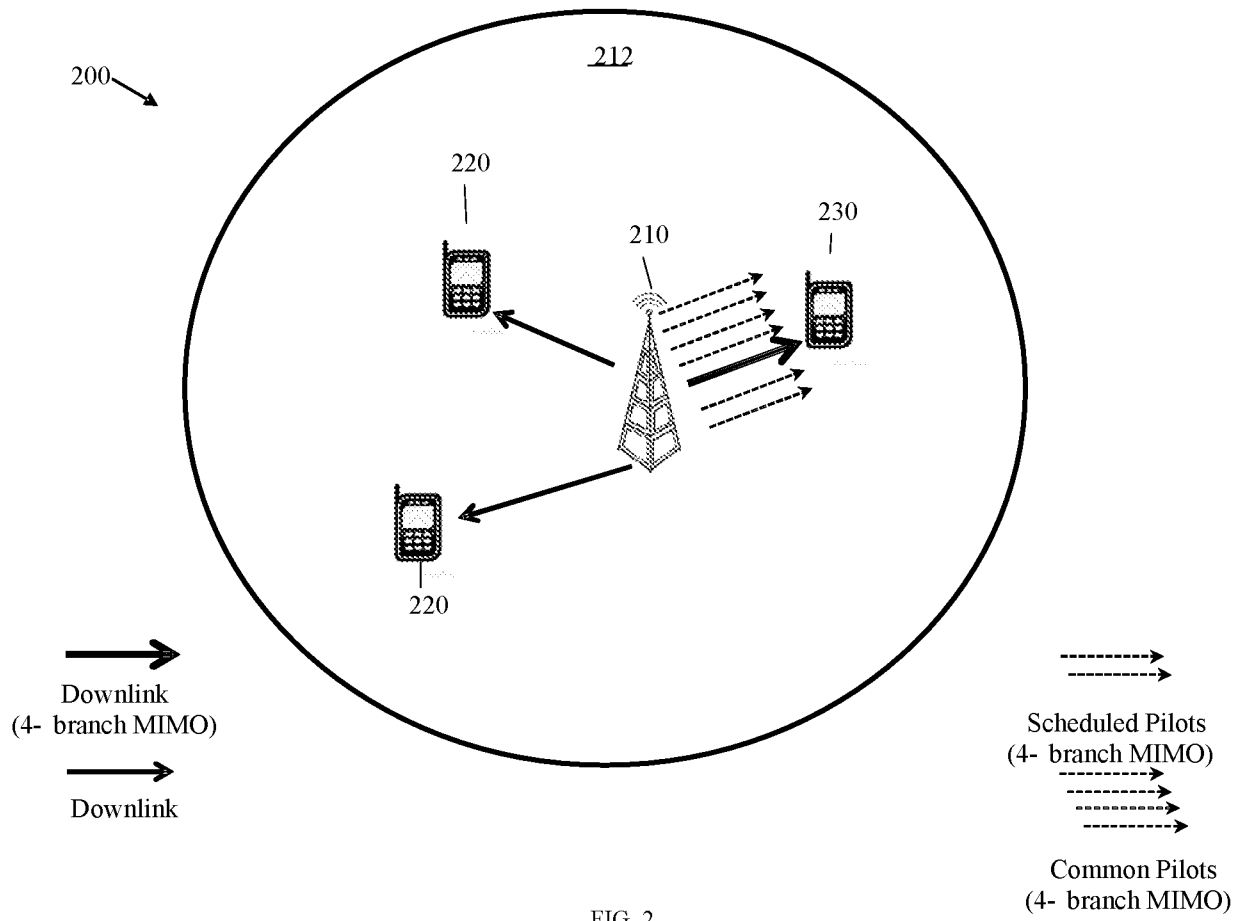


FIG. 2

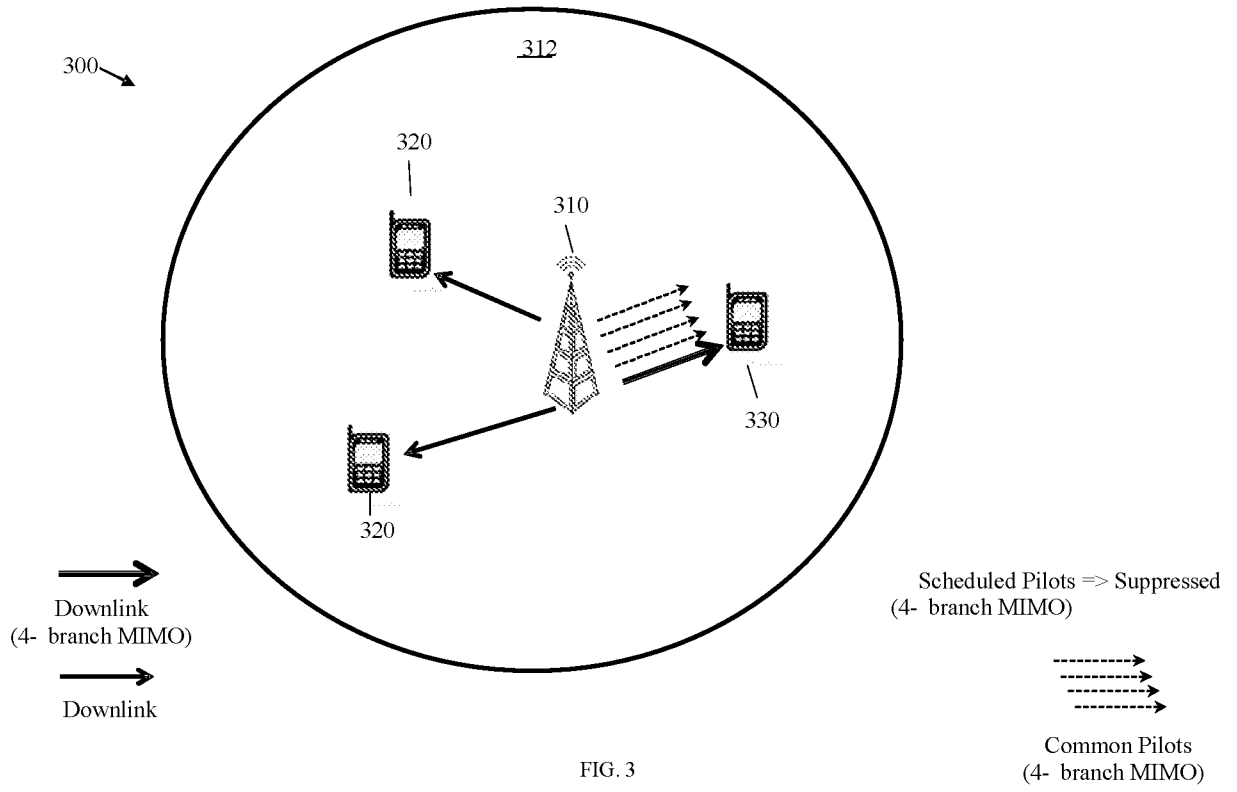


FIG. 3

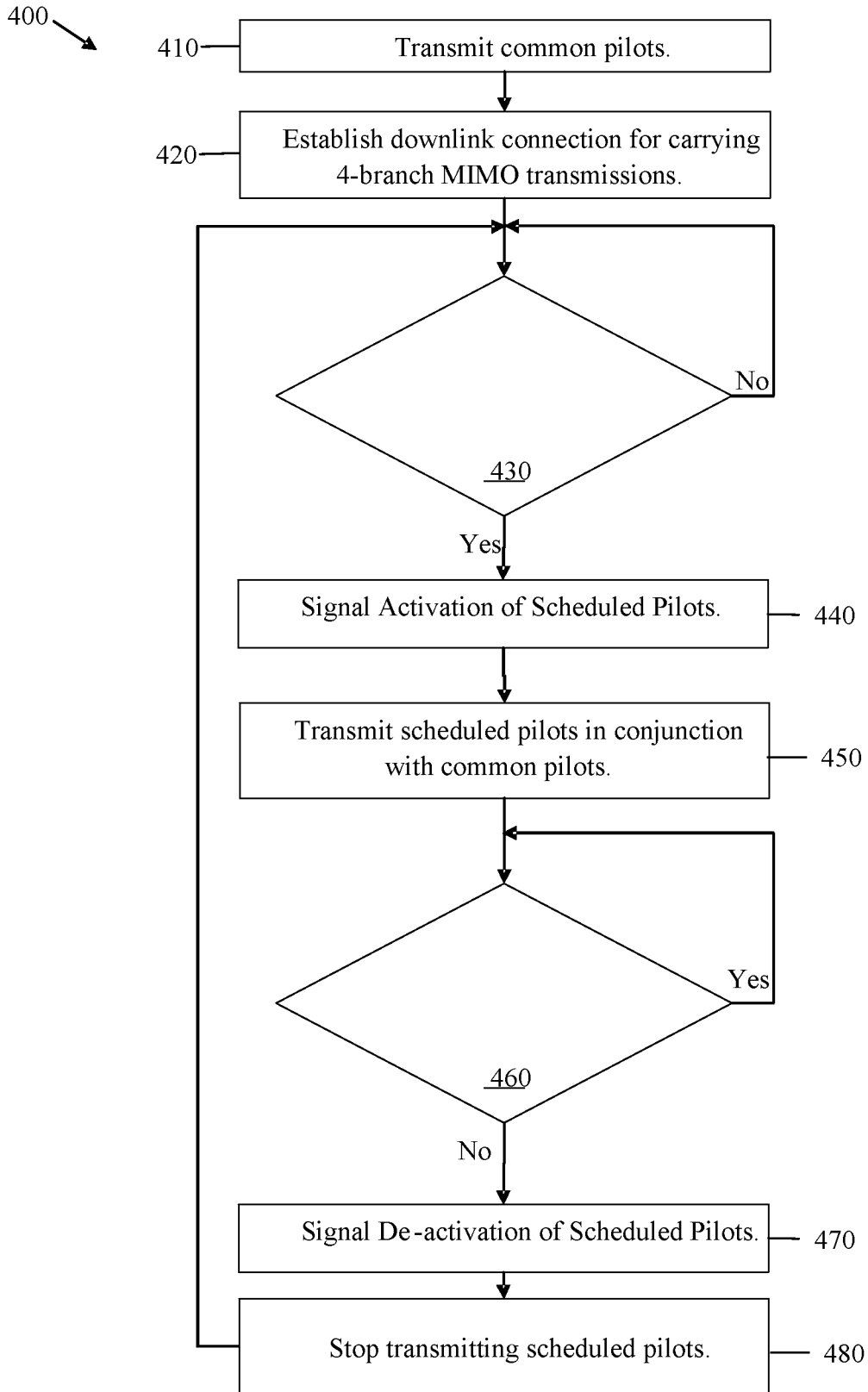


FIG. 4

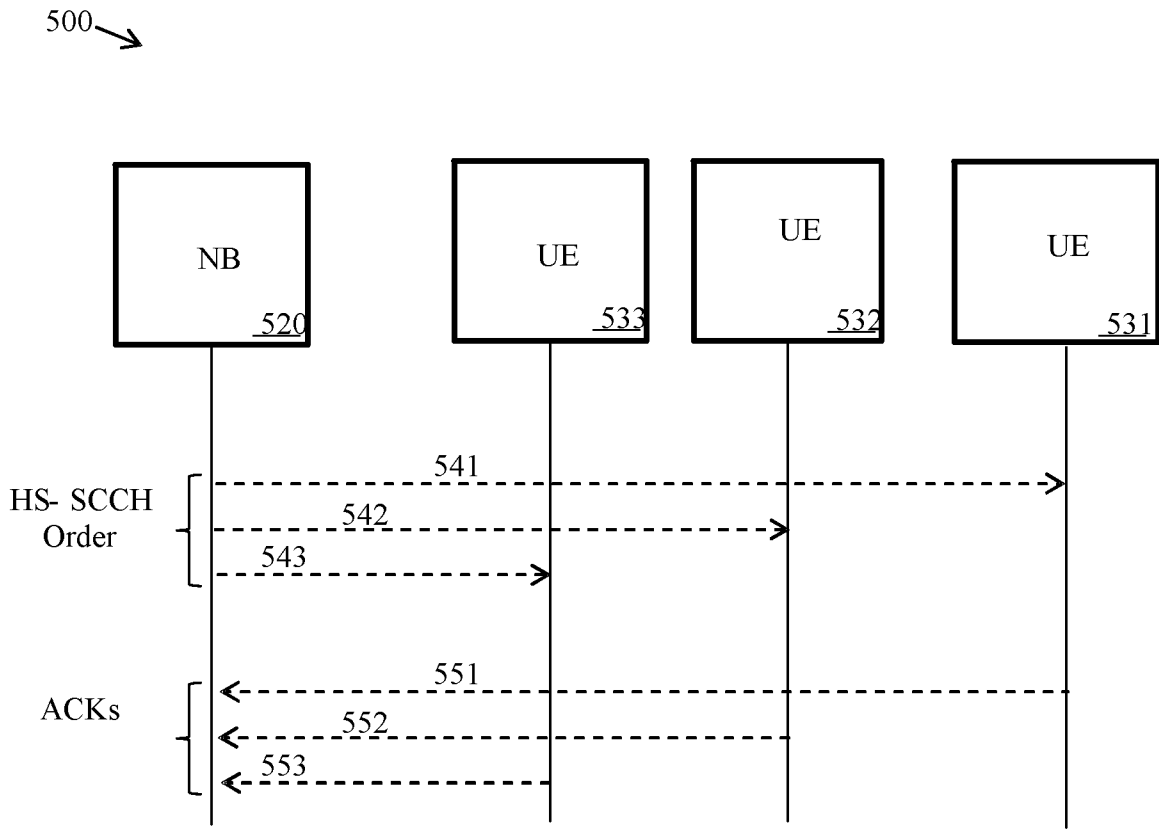


FIG. 5

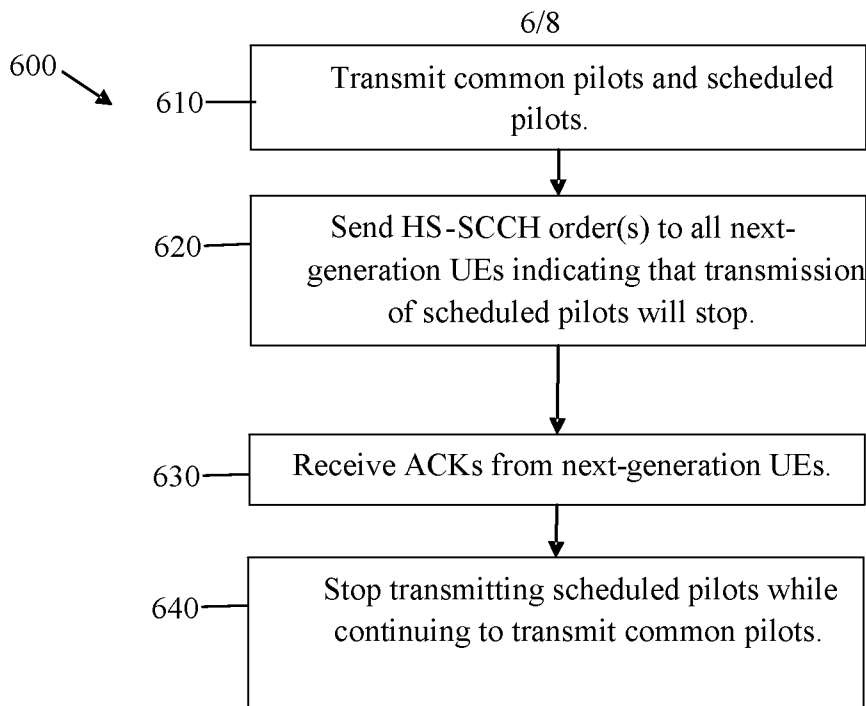


FIG. 6

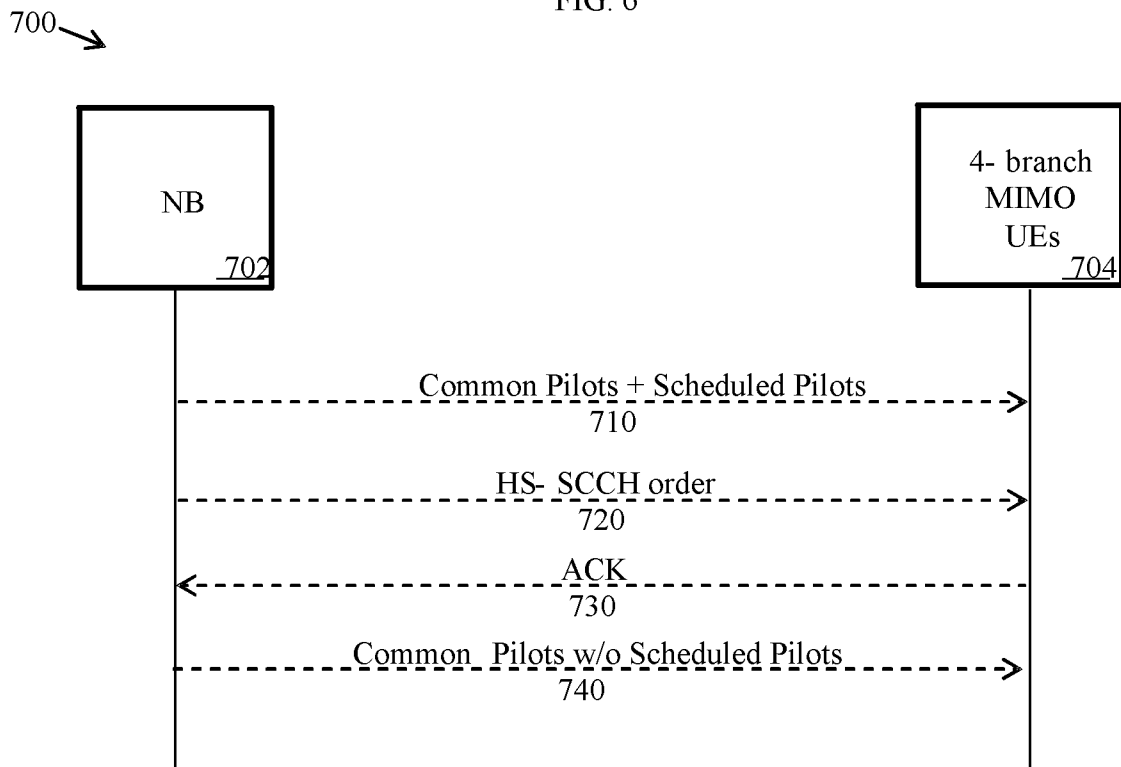


FIG. 7

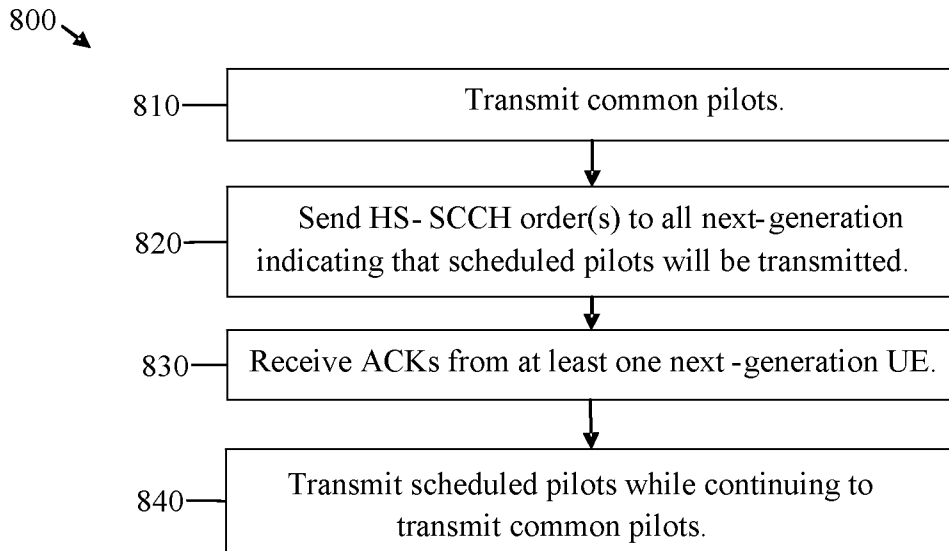


FIG. 8

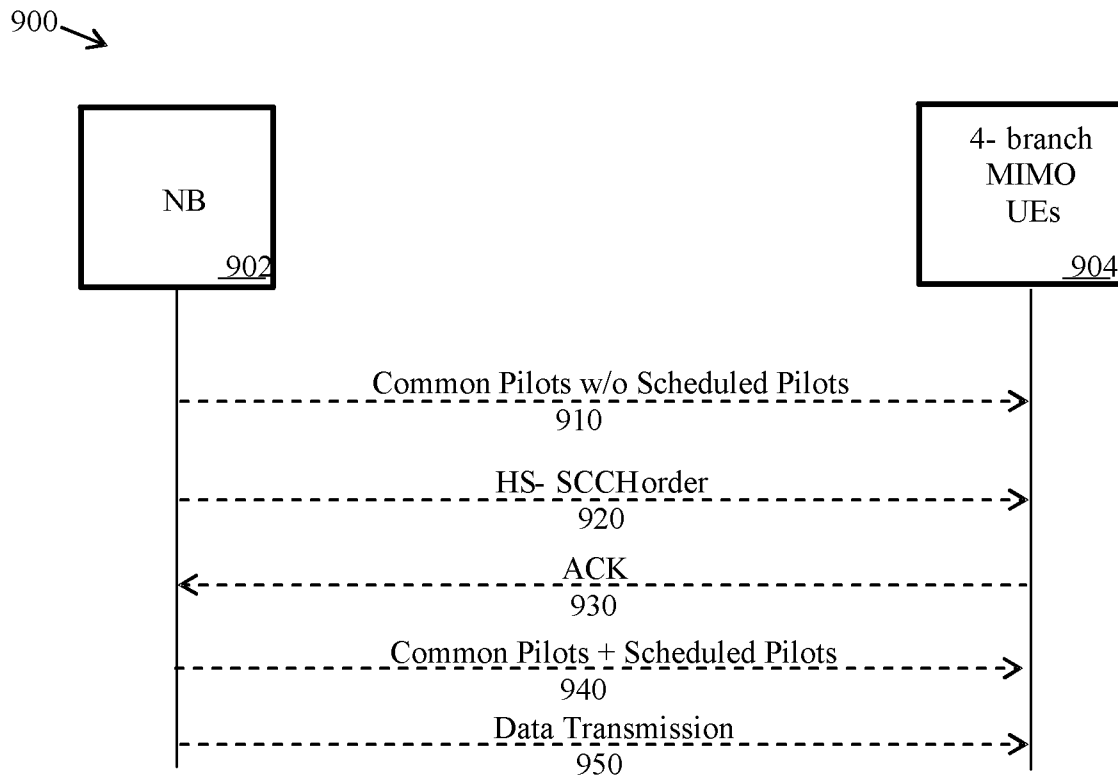


FIG. 9

1000 →

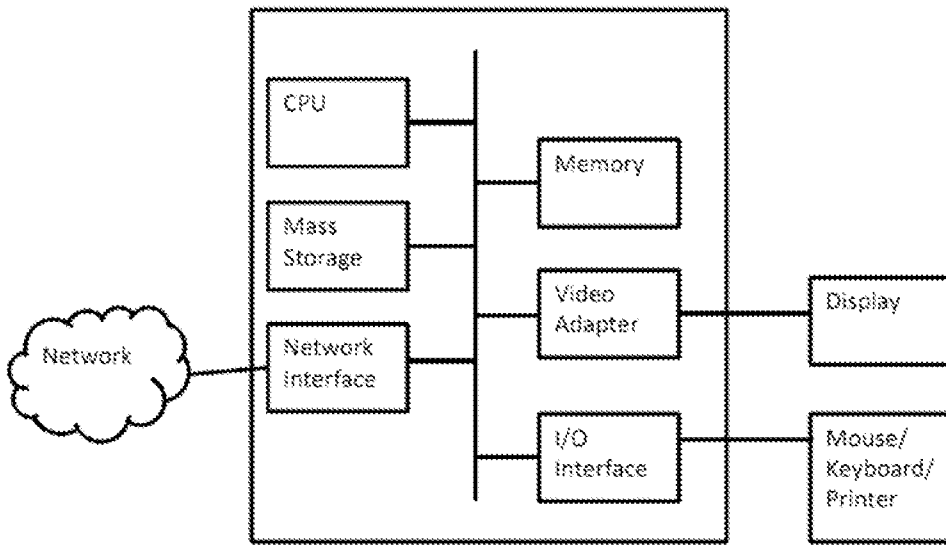


FIG. 10

1100 →

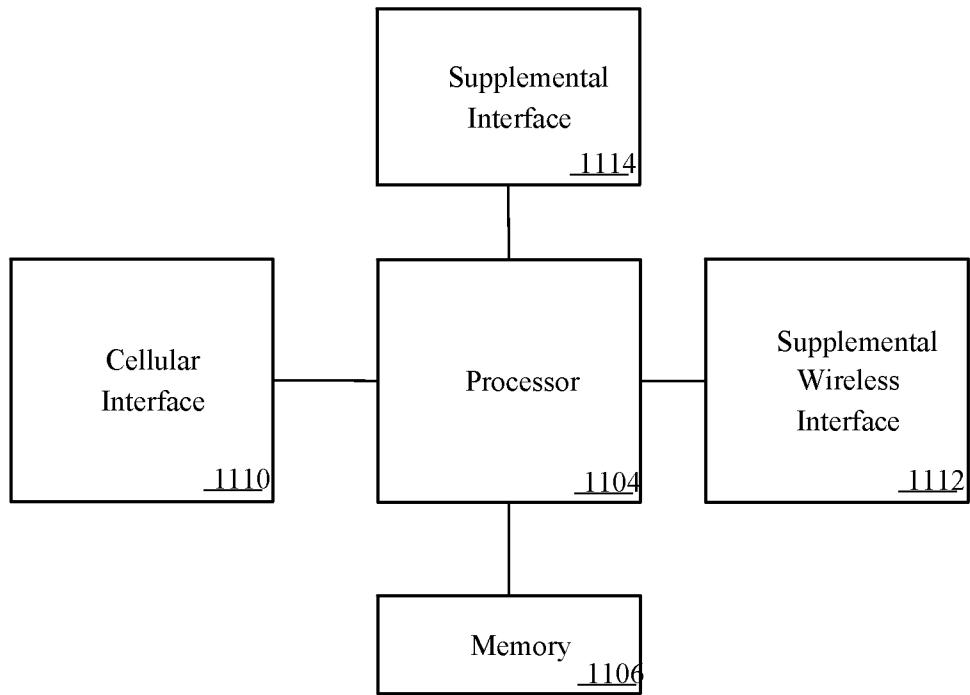


FIG. 11

INTERNATIONAL SEARCH REPORT

International application No.

PCT/CN2013/075907

A. CLASSIFICATION OF SUBJECT MATTER

H04L 1/06 (2006.01) i

According to International Patent Classification (IPC) or to both national classification and IPC

B. FIELDS SEARCHED

Minimum documentation searched (classification system followed by classification symbols)

IPC: H04L; H04W; H04B

Documentation searched other than minimum documentation to the extent that such documents are included in the fields searched

Electronic data base consulted during the international search (name of data base and, where practicable, search terms used)

WPI, EPODOC, CNPAT, CNKI, IEEE: common pilot, scheduled pilot, channel estimation, MIMO, multiple antennas, multiple input, multiple output, HSDPA, HS-SCCH, LTE-A, ACK, UE, Node B, base station

C. DOCUMENTS CONSIDERED TO BE RELEVANT

Category*	Citation of document, with indication, where appropriate, of the relevant passages	Relevant to claim No.
A	CN 101754232 A (SHARP KABUSHIKI KAISHA) 23 June 2010 (23.06.2010) description, paragraphs [0048]-[0094] and figure 1	1-25
A	WO 2011/147337 A1 (HUAWEI TECHNOLOGIES CO., LTD.) 01 December 2011 (01.12.2011) the whole document	1-25
A	CN 102142880 A (GUANGZHOU UNIVERSITY) 03 August 2011 (03.08.2011) the whole document	1-25

 Further documents are listed in the continuation of Box C. See patent family annex.

* Special categories of cited documents:	“T” later document published after the international filing date or priority date and not in conflict with the application but cited to understand the principle or theory underlying the invention
“A” document defining the general state of the art which is not considered to be of particular relevance	“X” document of particular relevance; the claimed invention cannot be considered novel or cannot be considered to involve an inventive step when the document is taken alone
“E” earlier application or patent but published on or after the international filing date	“Y” document of particular relevance; the claimed invention cannot be considered to involve an inventive step when the document is combined with one or more other such documents, such combination being obvious to a person skilled in the art
“L” document which may throw doubts on priority claim (S) or which is cited to establish the publication date of another citation or other special reason (as specified)	“&” document member of the same patent family
“O” document referring to an oral disclosure, use, exhibition or other means	
“P” document published prior to the international filing date but later than the priority date claimed	

Date of the actual completion of the international search 05 June 2013 (05.06.2013)	Date of mailing of the international search report 11 Jul. 2013 (11.07.2013)
--	--

Name and mailing address of the ISA/CN
The State Intellectual Property Office, the P.R.China
6 Xitucheng Rd., Jimen Bridge, Haidian District, Beijing, China
100088
Facsimile No. 86-10-62019451

Authorized officer

TIAN, Tao

Telephone No. (86-10)62413581

INTERNATIONAL SEARCH REPORT
Information on patent family members

International application No.
PCT/CN2013/075907

Patent Documents referred in the Report	Publication Date	Patent Family	Publication Date
CN 101754232 A	23.06.2010	WO 2010/067625 A1	17.06.2010
WO 2011/147337 A1	01.12.2011	CN 102143096 A	03.08.2011
		EP 2584748 A1	24.04.2013
CN 102142880 A	03.08.2011	None	