

(19) World Intellectual Property
Organization
International Bureau



(43) International Publication Date
6 October 2005 (06.10.2005)

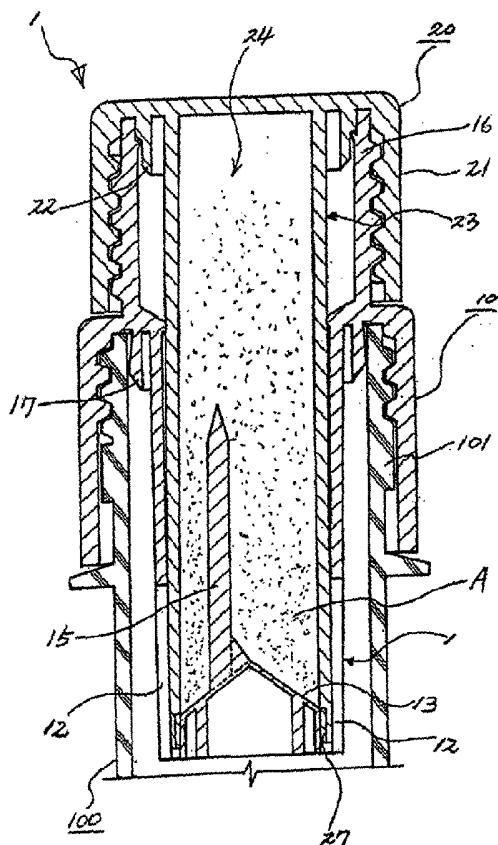
PCT

(10) International Publication Number
WO 2005/091726 A3

(51) International Patent Classification ⁷ :	B65D 51/18	10-2004-0100101	
		27 November 2004 (27.11.2004)	KR
(21) International Application Number:	PCT/KR2005/000737	10-2004-0100108	
		1 December 2004 (01.12.2004)	KR
(22) International Filing Date:	15 March 2005 (15.03.2005)	10-2004-0102062	
		2 December 2004 (02.12.2004)	KR
(25) Filing Language:	Korean	10-2004-0102710	
		4 December 2004 (04.12.2004)	KR
(26) Publication Language:	English	10-2004-0106704	
		13 December 2004 (13.12.2004)	KR
(30) Priority Data:			
10-2004-0019073	16 March 2004 (16.03.2004)	KR	(71) Applicants and
10-2004-0027304	16 April 2004 (16.04.2004)	KR	(72) Inventors: LEE, Jeong-Min [KR/KR]; 10-92, Sibus
10-2004-0027303	16 April 2004 (16.04.2004)	KR	APT.50, Yeuido-Dong, Youngdungpo-Gu, Seoul
10-2004-0064913	13 August 2004 (13.08.2004)	KR	150-894 (KR). LEE, Seong-Jae [KR/KR]; 436-4,
10-2004-0081155	7 October 2004 (07.10.2004)	KR	Pyeongchang-Dong, Jongno-Gu, Seoul 150-887 (KR).
10-2004-0091152			
	6 November 2004 (06.11.2004)	KR	(81) Designated States (unless otherwise indicated, for every
10-2004-0097744			kind of national protection available): AE, AG, AL, AM,
	23 November 2004 (23.11.2004)	KR	AT, AU, AZ, BA, BB, BG, BR, BW, BY, BZ, CA, CH, CN,

[Continued on next page]

(54) Title: STRUCTURE OF CAP HAVING STORING SPACE



(57) Abstract: A cap assembly with a storage chamber for a secondary material includes a stationary member for coupling to a neck portion of a container containing a primary material and a movable member detachably coupled to the stationary member and having a storage space defined by the storage chamber for storing the secondary material.

WO 2005/091726 A3



CO, CR, CU, CZ, DE, DK, DM, DZ, EC, EE, EG, ES, FI, GB, GD, GE, GH, GM, HR, HU, ID, IL, IN, IS, JP, KE, KG, KP, KZ, LC, LK, LR, LS, LT, LU, LV, MA, MD, MG, MK, MN, MW, MX, MZ, NA, NI, NO, NZ, OM, PG, PH, PL, PT, RO, RU, SC, SD, SE, SG, SK, SL, SM, SY, TJ, TM, TN, TR, TT, TZ, UA, UG, US, UZ, VC, VN, YU, ZA, ZM, ZW.

FR, GB, GR, HU, IE, IS, IT, LT, LU, MC, NL, PL, PT, RO, SE, SI, SK, TR), OAPI (BF, BJ, CF, CG, CI, CM, GA, GN, GQ, GW, ML, MR, NE, SN, TD, TG).

Published:

— with international search report

(84) Designated States (*unless otherwise indicated, for every kind of regional protection available*): ARIPO (BW, GH, GM, KE, LS, MW, MZ, NA, SD, SL, SZ, TZ, UG, ZM, ZW), Eurasian (AM, AZ, BY, KG, KZ, MD, RU, TJ, TM), European (AT, BE, BG, CH, CY, CZ, DE, DK, EE, ES, FI,

(88) Date of publication of the international search report:

17 November 2005

For two-letter codes and other abbreviations, refer to the "Guidance Notes on Codes and Abbreviations" appearing at the beginning of each regular issue of the PCT Gazette.

INTERNATIONAL SEARCH REPORT

International application No.

PCT/KR2005/000737

A. CLASSIFICATION OF SUBJECT MATTER**IPC7 B65D 51/18**

According to International Patent Classification (IPC) or to both national classification and IPC

B. FIELDS SEARCHED

Minimum documentation searched (classification system followed by classification symbols)

IPC7 B65D 51

Documentation searched other than minimum documentation to the extent that such documents are included in the fields searched

KR : IPC as above

Electronic data base consulted during the international search (name of data base and, where practicable, search terms used)

KIPO eKIPASS system

C. DOCUMENTS CONSIDERED TO BE RELEVANT

Category*	Citation of document, with indication, where appropriate, of the relevant passages	Relevant to claim No.
X	KR 2003-0096162 A (LEE, JEONG-MIN) 24 December 2003	1, 2, 8, 9
Y	See the whole document	3, 4, 10, 11.
Y	KR 2004-0014638 A (LEE, JEONG-MIN) 14 February 2004	3, 4, 10, 11
	See the whole document	
X	WO 98/38104 A (MORINI, EMILIO) 10 September 1997	30, 35, 36
	See the abstract	
A	KR 2002-0075346 A (LEE, JEONG-MIN) 04 October 2002	37 - 41
	See the whole document	
A	KR 2002-0075748 A (LEE, JEONG-MIN) 05 October 2002	42 - 45
	See the whole document	

 Further documents are listed in the continuation of Box C. See patent family annex.

* Special categories of cited documents:

"A" document defining the general state of the art which is not considered to be of particular relevance

"E" earlier application or patent but published on or after the international filing date

"L" document which may throw doubts on priority claim(s) or which is cited to establish the publication date of citation or other special reason (as specified)

"O" document referring to an oral disclosure, use, exhibition or other means

"P" document published prior to the international filing date but later than the priority date claimed

"T" later document published after the international filing date or priority date and not in conflict with the application but cited to understand the principle or theory underlying the invention

"X" document of particular relevance; the claimed invention cannot be considered novel or cannot be considered to involve an inventive step when the document is taken alone

"Y" document of particular relevance; the claimed invention cannot be considered to involve an inventive step when the document is combined with one or more other such documents, such combination being obvious to a person skilled in the art

"&" document member of the same patent family

Date of the actual completion of the international search

31 AUGUST 2005 (31.08.2005)

Date of mailing of the international search report

31 AUGUST 2005 (31.08.2005)

Name and mailing address of the ISA/KR



Korean Intellectual Property Office
920 Dunsan-dong, Seo-gu, Daejeon 302-701,
Republic of Korea

Facsimile No. 82-42-472-7140

Authorized officer

CHOI, Ki Hyuk

Telephone No. 82-42-481-5894



INTERNATIONAL SEARCH REPORT

Information on patent family members

International application No.

PCT/KR2005/000737

Patent document cited in search report	Publication date	Patent family member(s)	Publication date
KR1020030096162	24.12.2003	KR2003096162A	24.12.2003
		WO2005049430A2	02.06.2005
		WO2005049430A3	04.08.2005
KR1020040014638	14.02.2004	NONE	
W09838104A1	03.09.1998	AT209591E	15.12.2001
		AU4396597A1	18.09.1998
		BR9714624A	28.03.2000
		CA2279893AA	03.09.1998
		DE69708687C0	10.01.2002
		DE69708687T2	01.08.2002
		EP963325A1	15.12.1999
		EP963325B1	28.11.2001
		SI963325T1	30.06.2002
		US06148996	21.11.2000
		US6148996A	21.11.2000
KR1020020075346	04.10.2002	JP17516850	09.06.2005
		JP2005516850T2	09.06.2005
		KR2002075346A	04.10.2002
		US20040245286A1	09.12.2004
		US2004245286A1	09.12.2004
		US2004245286AA	09.12.2004
		W003022690A2	20.03.2003
		W02003022690A2	20.03.2003
KR1020020075748	05.10.2002	KR2002075748A	05.10.2002