

(19) World Intellectual Property Organization
International Bureau



(43) International Publication Date
24 October 2002 (24.10.2002)

PCT

(10) International Publication Number
WO 02/084928 A3

(51) International Patent Classification⁷: **G06K 15/00**

Ho [US/US]; 16900 S.E. 26th Drive, #94, Vancouver, WA 98683 (US). LIU, Christina, Ying [CN/US]; Flexiworld Technologies, Inc., P.O. Box 87237, Vancouver, WA 98687 (US).

(21) International Application Number: PCT/US02/19901

(22) International Filing Date: 21 January 2002 (21.01.2002)

(25) Filing Language: English

(74) Agent: SMITH-HILL, John; Smith-Hill and Bedell, P.C., 12670 N.W. Barnes Road, Suite 104, Portland, OR 97229 (US).

(26) Publication Language: English

(30) Priority Data:
60/262,764 19 January 2001 (19.01.2001) US

(81) Designated States (national): AE, AL, AM, AT, AU, AZ, BA, BB, BG, BR, BY, CA, CH, CN, CR, CU, CZ, DE, DK, DM, EE, ES, FI, GB, GD, GE, GH, GM, HR, HU, ID, IL, IN, IS, JP, KE, KG, KP, KR, KZ, LC, LK, LR, LS, LT, LU, LV, MA, MD, MG, MK, MN, MW, MX, NO, NZ, PL, PT, RO, RU, SD, SE, SG, SI, SK, SL, TJ, TM, TR, TT, TZ, UA, UG, US, UZ, VN, YU, ZA, ZW.

(71) Applicant (for all designated States except US): FLEXI-WORLD TECHNOLOGIES, INC. [US/US]; P.O. Box 87237, Vancouver, WA 98687 (US).

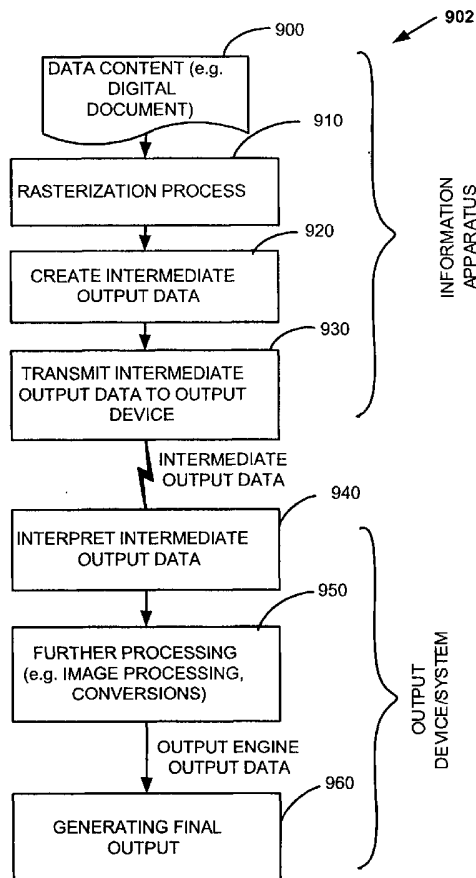
(72) Inventors; and

(84) Designated States (regional): ARIPO patent (GH, GM, KE, LS, MW, MZ, SD, SL, SZ, TZ, UG, ZM, ZW),

(75) Inventors/Applicants (for US only): CHANG, William,

[Continued on next page]

(54) Title: SYSTEM FOR UNIVERSAL DATA OUTPUT



(57) Abstract: An information apparatus that is on a local area rasterizes (910) a digital document (900) on the information apparatus to generate image data and creates an intermediate output data (920) from the image data. The intermediate output data (920) is transmitted to an output device (930) that is on the local area network and includes an output engine outputs images with a device-specific output size and resolution. The image data is recovered from the intermediate output data (940) and is converted to instructions compatible with the size and resolution of the output engine. The method further includes providing the instructions to the output engine (960) and operating the output engine in response to the instructions and thereby outputting an image of the digital document.



WO 02/084928 A3



Eurasian patent (AM, AZ, BY, KG, KZ, MD, RU, TJ, TM),
European patent (AT, BE, CH, CY, DE, DK, ES, FI, FR,
GB, GR, IE, IT, LU, MC, NL, PT, SE, TR), OAPI patent
(BF, BJ, CF, CG, CI, CM, GA, GN, GQ, GW, ML, MR,
NE, SN, TD, TG).

(88) Date of publication of the international search report:
20 February 2003

For two-letter codes and other abbreviations, refer to the "Guidance Notes on Codes and Abbreviations" appearing at the beginning of each regular issue of the PCT Gazette.

Published:

- *with international search report*
- *before the expiration of the time limit for amending the claims and to be republished in the event of receipt of amendments*

INTERNATIONAL SEARCH REPORT

International application No.

PCT/US02/19901

A. CLASSIFICATION OF SUBJECT MATTER

IPC(7) : G06K 15/00
 US CL : 358/1.15

According to International Patent Classification (IPC) or to both national classification and IPC

B. FIELDS SEARCHED

Minimum documentation searched (classification system followed by classification symbols)
 U.S. : 358/1.1-1.9, 1.11-1.18

Documentation searched other than minimum documentation to the extent that such documents are included in the fields searched

Electronic data base consulted during the international search (name of data base and, where practicable, search terms used)
 WEST

C. DOCUMENTS CONSIDERED TO BE RELEVANT

Category *	Citation of document, with indication, where appropriate, of the relevant passages	Relevant to claim No.
Y	US 5,337,258 A (DENNIS) 09 August 1994 (09.08.1994), abstract, fig. 2, column 1, lines 25-35, column 2, lines 55-68, column 5, lines 34-45, column 8, lines 13-69, column 9-10, column 12, lines 40-63, column 14, lines 45-60, column 27-28.	1-170
Y	US 5,737,501 A (TSUNEKAWA) 07 April 1998 (07.04.1998), abstract, fig. 2-3, fig. 6, column 1, lines 1-10, column 2, lines 5-32, column 3, lines 5-40, column 6, lines 1-25, column 10, lines 40-67, column 11, column 13, lines 44-67.	1-170
Y	US 5,048,057 A (SALEH ET AL) 10 September 1991, column 3, lines 15-30 column 5, lines 15-30.	33, 42, 46, 54, 62, 68, 74-75, 78, 97, 101, 106-113, 119, 124-125, 128, 139, 145, 156, 161
Y	US 5,687,332 A (KURAHASHI ET AL) 11 November 1997 (11.11.1997), fig. 1.	25, 105, 152
Y	US 5,826,244 A (HUBERMAN) 20 OCTOBER 1998 (20.10.1998), abstract, column 4-5, column 10.	31, 79, 90, 96, 132

Further documents are listed in the continuation of Box C. See patent family annex.

* Special categories of cited documents:		
"A" document defining the general state of the art which is not considered to be of particular relevance	"T"	later document published after the international filing date or priority date and not in conflict with the application but cited to understand the principle or theory underlying the invention
"E" earlier application or patent published on or after the international filing date	"X"	document of particular relevance; the claimed invention cannot be considered novel or cannot be considered to involve an inventive step when the document is taken alone
"L" document which may throw doubts on priority claim(s) or which is cited to establish the publication date of another citation or other special reason (as specified)	"Y"	document of particular relevance; the claimed invention cannot be considered to involve an inventive step when the document is combined with one or more other such documents, such combination being obvious to a person skilled in the art
"O" document referring to an oral disclosure, use, exhibition or other means		
"P" document published prior to the international filing date but later than the priority date claimed	"&"	document member of the same patent family

Date of the actual completion of the international search: 28 October 2002 (28.10.2002)
 Date of mailing of the international search report: 11 DEC 2002

Name and mailing address of the ISA/US: Commissioner of Patents and Trademarks, Box PCT, Washington, D.C. 20231, Facsimile No. (703)305-3230
 Authorized officer: King Y. Poon, Telephone No. 703-305-0892
John Kenneth Ward