



(51) International Patent Classification:

A61B 90/70 (2016.01) A61B 1/04 (2006.01)
A61B 90/00 (2016.01) A61B 1/313 (2006.01)

(21) International Application Number:

PCT/US2016/013349

(22) International Filing Date:

14 January 2016 (14.01.2016)

(25) Filing Language:

English

(26) Publication Language:

English

(30) Priority Data:

62/103,871 15 January 2015 (15.01.2015) US

(71) Applicant: **COVIDIEN LP** [US/US]; 15 Hampshire Street, Mansfield, Massachusetts 02048 (US).

(72) Inventors: **MURATORI, Adam**; c/o Ximedica, 55 Dupont Drive, Providence, Rhode Island 02907 (US). **KANE, Bill**; c/o Ximedica, 55 Dupont Drive, Providence, Rhode Island 02907 (US). **FINK, David**; c/o Ximedica, 55 Dupont Drive, Providence, Rhode Island 02907 (US). **GORDON, Joe**; c/o Ximedica, 55 Dupont Drive, Providence, Rhode Island 02907 (US). **GUARRAIA, Mark**; c/o Ximedica, 55 Dupont Drive, Providence, Rhode Island 02907 (US). **BERTRAM, Paul**; c/o Ximedica, 55 Dupont

Drive, Providence, Rhode Island 02907 (US). **PUNIELLO, Paul**; c/o Ximedica, 55 Dupont Drive, Providence, Rhode Island 02907 (US).

(74) Agent: **CUNNINGHAM, Marina, F.**; McCormick, Paulding & Huber LLP, 185 Asylum Street, CityPlace II, 18th FL, Hartford, Connecticut 06103-3410 (US).

(81) Designated States (unless otherwise indicated, for every kind of national protection available): AE, AG, AL, AM, AO, AT, AU, AZ, BA, BB, BG, BH, BN, BR, BW, BY, BZ, CA, CH, CL, CN, CO, CR, CU, CZ, DE, DK, DM, DO, DZ, EC, EE, EG, ES, FI, GB, GD, GE, GH, GM, GT, HN, HR, HU, ID, IL, IN, IR, IS, JP, KE, KG, KN, KP, KR, KZ, LA, LC, LK, LR, LS, LU, LY, MA, MD, ME, MG, MK, MN, MW, MX, MY, MZ, NA, NG, NI, NO, NZ, OM, PA, PE, PG, PH, PL, PT, QA, RO, RS, RU, RW, SA, SC, SD, SE, SG, SK, SL, SM, ST, SV, SY, TH, TJ, TM, TN, TR, TT, TZ, UA, UG, US, UZ, VC, VN, ZA, ZM, ZW.

(84) Designated States (unless otherwise indicated, for every kind of regional protection available): ARIPO (BW, GH, GM, KE, LR, LS, MW, MZ, NA, RW, SD, SL, ST, SZ, TZ, UG, ZM, ZW), Eurasian (AM, AZ, BY, KG, KZ, RU, TJ, TM), European (AL, AT, BE, BG, CH, CY, CZ, DE, DK, EE, ES, FI, FR, GB, GR, HR, HU, IE, IS, IT, LT, LU, LV, MC, MK, MT, NL, NO, PL, PT, RO, RS, SE, SI, SK,

[Continued on next page]

(54) Title: DEVICE FOR ACCOMMODATING SURGICAL TOOL PRIOR TO AND DURING MEDICAL PROCEDURES

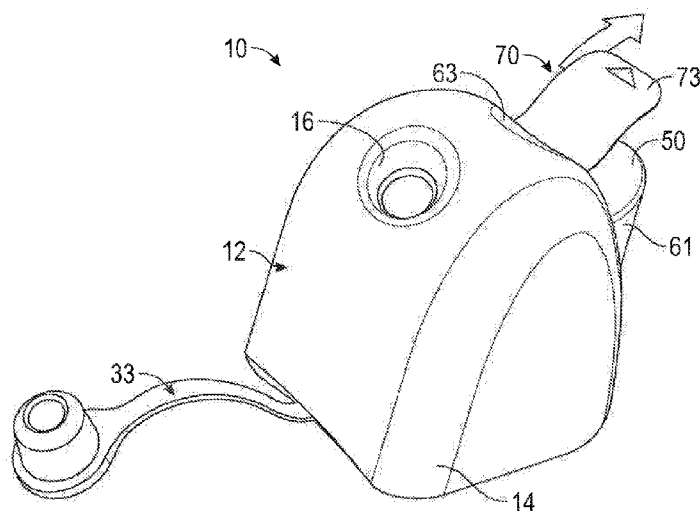


FIG. 1

(57) Abstract: A device may be configured for white balancing a medical videoscopic camera system prior to videoscopic medical procedures, as well as optionally simultaneously or non-simultaneously applying a fog-prohibiting agent to the distal lens of a medical videoscope such as an endoscope or laparoscope. The device combines a white balancing mechanism, protective mechanism, and defogging mechanism in one simple easy to use device.





SM, TR), OAPI (BF, BJ, CF, CG, CI, CM, GA, GN, GQ,
GW, KM, ML, MR, NE, SN, TD, TG).

— *before the expiration of the time limit for amending the
claims and to be republished in the event of receipt of
amendments (Rule 48.2(h))*

Published:

— *with international search report (Art. 21(3))*

(88) Date of publication of the international search report:

9 September 2016

A. CLASSIFICATION OF SUBJECT MATTER**A61B 90/70(2016.01)i, A61B 90/00(2016.01)i, A61B 1/04(2006.01)i, A61B 1/313(2006.01)i**

According to International Patent Classification (IPC) or to both national classification and IPC

B. FIELDS SEARCHED

Minimum documentation searched (classification system followed by classification symbols)

A61B 90/70; A61N 1/30; F27D 11/00; A61B 1/00; A61M 5/00; H04N 9/73; A61B 1/06; A61B 90/00; A61B 1/04; A61B 1/313

Documentation searched other than minimum documentation to the extent that such documents are included in the fields searched

Korean utility models and applications for utility models

Japanese utility models and applications for utility models

Electronic data base consulted during the international search (name of data base and, where practicable, search terms used)

eKOMPASS(KIPO internal) & Keywords: accommodating, surgical tool, housing, opening, canal, battery, battery contact, sealing tab, pull out portion, extra seal, opening adapter

C. DOCUMENTS CONSIDERED TO BE RELEVANT

Category*	Citation of document, with indication, where appropriate, of the relevant passages	Relevant to claim No.
X	US 8152717 B2 (GOMEZ, RICARDO ALEXANDER) 10 April 2012 See column 5, line 48 - column 6, line 11; column 7, lines 7-22; column 7, line 51 - column 8, line 5; column 9, line 38 - column 10, line 12; and figures 1, 6A-6C, 9A-9C.	6-9, 15-19
Y		1-5, 12-14
A		10, 11
Y	US 6377848 B1 (GARDE et al.) 23 April 2002 See column 4, line 47 - column 5, line 4; column 6, lines 39-64; and figures 1, 2, 8A.	1-5
Y	US 2008-0021392 A1 (LURVEY et al.) 24 January 2008 See paragraphs [0031]-[0038], [0048]; and figures 2-5.	12-14
A	US 7311660 B2 (GOMEZ, RICARDO ALEXANDER) 25 December 2007 See claims 1-10; and figures 1-10.	1-19
A	US 5549543 A (KIM, IL G.) 27 August 1996 See column 3, line 66 - column 4, line 58; and figure 1.	1-19
A	US 2009-0112057 A1 (KAMMER et al.) 30 April 2009 See paragraphs [0036]-[0052]; and figures 1, 2.	1-19

 Further documents are listed in the continuation of Box C. See patent family annex.

* Special categories of cited documents:

"A" document defining the general state of the art which is not considered to be of particular relevance

"E" earlier application or patent but published on or after the international filing date

"L" document which may throw doubts on priority claim(s) or which is cited to establish the publication date of another citation or other special reason (as specified)

"O" document referring to an oral disclosure, use, exhibition or other means

"P" document published prior to the international filing date but later than the priority date claimed

"T" later document published after the international filing date or priority date and not in conflict with the application but cited to understand the principle or theory underlying the invention

"X" document of particular relevance; the claimed invention cannot be considered novel or cannot be considered to involve an inventive step when the document is taken alone

"Y" document of particular relevance; the claimed invention cannot be considered to involve an inventive step when the document is combined with one or more other such documents, such combination being obvious to a person skilled in the art

"&" document member of the same patent family

Date of the actual completion of the international search

21 July 2016 (21.07.2016)

Date of mailing of the international search report

25 July 2016 (25.07.2016)

Name and mailing address of the ISA/KR

International Application Division

Korean Intellectual Property Office

189 Cheongsa-ro, Seo-gu, Daejeon, 35208, Republic of Korea

Facsimile No. +82-42-481-8578

Authorized officer

CHO, KI YUN

Telephone No. +82-42-481-5655



INTERNATIONAL SEARCH REPORT

Information on patent family members

International application No.

PCT/US2016/013349

Patent document cited in search report	Publication date	Patent family member(s)	Publication date
US 8152717 B2	10/04/2012	CN 101374452 A	25/02/2009
		CN 101374452 B	10/10/2012
		EP 1981390 A2	22/10/2008
		EP 1981390 A4	27/03/2013
		EP 2659829 A2	06/11/2013
		EP 2659829 A3	11/12/2013
		JP 2009-525068 A	09/07/2009
		JP 5266065 B2	21/08/2013
		KR 10-1250611 B1	09/04/2013
		KR 10-2008-0094080 A	22/10/2008
		US 2008-0161646 A1	03/07/2008
		WO 2007-089719 A2	09/08/2007
		WO 2007-089719 A3	13/12/2007
		US 6377848 B1	23/04/2002
FR 2797772 A1	02/03/2001		
FR 2797772 B1	23/09/2005		
JP 2001-095928 A	10/04/2001		
US 2008-0021392 A1	24/01/2008	AU 2008-279365 A1	29/01/2009
		CA 2658133 A1	24/01/2008
		CA 2658133 C	24/11/2015
		CA 2693500 A1	29/01/2009
		CA 2793493 A1	20/10/2011
		CN 101801429 A	11/08/2010
		CN 102834123 A	19/12/2012
		EP 2046439 A2	15/04/2009
		EP 2181093 A2	05/05/2010
		EP 2558138 A1	20/02/2013
		JP 2010-534089 A	04/11/2010
		JP 2013-523394 A	17/06/2013
		US 2008-0021381 A1	24/01/2008
		US 2008-0107564 A1	08/05/2008
		US 2009-0024096 A1	22/01/2009
		US 2010-0197817 A1	05/08/2010
		US 2011-0236258 A1	29/09/2011
		US 2013-0224866 A1	29/08/2013
		US 7981381 B2	19/07/2011
		US 8431086 B2	30/04/2013
US 9125973 B2	08/09/2015		
WO 2008-011581 A2	24/01/2008		
WO 2008-011581 A3	24/01/2008		
WO 2009-014997 A2	29/01/2009		
WO 2009-014997 A3	29/01/2009		
WO 2011-130124 A1	20/10/2011		
US 7311660 B2	25/12/2007	US 2005-0234301 A1	20/10/2005
US 5549543 A	27/08/1996	None	

INTERNATIONAL SEARCH REPORT

Information on patent family members

International application No.

PCT/US2016/013349

Patent document cited in search report	Publication date	Patent family member(s)	Publication date
US 2009-0112057 A1	30/04/2009	WO 2009-055792 A2	30/04/2009
		WO 2009-055792 A3	16/07/2009