



US00D585070S

(12) **United States Design Patent**
Sugitani et al.

(10) **Patent No.:** **US D585,070 S**

(45) **Date of Patent:** **** Jan. 20, 2009**

(54) **SCANNER**

(75) Inventors: **Minoru Sugitani**, Kahoku (JP); **Takashi Kondo**, Musashino (JP)

(73) Assignee: **PFU Limited**, Ishikawa (JP)

(**) Term: **14 Years**

(21) Appl. No.: **29/300,044**

(22) Filed: **Feb. 13, 2008**

(51) **LOC (9) Cl.** **14-02**

(52) **U.S. Cl.** **D14/453**; D14/422

(58) **Field of Classification Search** D14/420–425,
D14/462–470, 389, 125, 399; D18/50, 54,
D18/55, 53, 36–39, 14, 18–21, 49, 52, 51,
D18/54.4; 358/400, 401, 448, 474, 486–488,
358/496; 382/312, 317, 321, 315; 400/613,
400/613.1–613.4, 690.1–690.4, 691–694,
400/88, 175; 399/107, 379, 380, 211, 212;
235/462.11, 462.41, 472.01, 470, 462.43;
361/680, 681

See application file for complete search history.

(56) **References Cited**

U.S. PATENT DOCUMENTS

- D350,769 S * 9/1994 Hattori et al. D18/49
- D371,120 S * 6/1996 Kono et al. D14/425
- 5,564,686 A * 10/1996 Horng 271/4.01
- D380,204 S * 6/1997 Kogoh et al. D14/425
- D425,108 S * 5/2000 Kabumoto et al. D18/38

- D469,769 S * 2/2003 Sugitani et al. D14/425
- D494,211 S * 8/2004 Yoshida et al. D18/39
- D514,107 S * 1/2006 Sugitani D14/422
- D514,575 S 2/2006 Sugitani et al.
- D521,056 S * 5/2006 Horiguchi et al. D18/39
- 2002/0113979 A1 * 8/2002 Rahgozar et al. 358/1.6
- 2002/0118376 A1 * 8/2002 Mishima et al. 358/1.6
- 2003/0164957 A1 * 9/2003 Komaki 358/1.6
- 2003/0179390 A1 * 9/2003 Kitozaki 358/1.6

FOREIGN PATENT DOCUMENTS

JP D1227587 1/2005

* cited by examiner

Primary Examiner—Pamela J Burgess

Assistant Examiner—Susan Moon Lee

(74) *Attorney, Agent, or Firm*—Staas & Halsey LLP

(57) **CLAIM**

The ornamental design for a scanner, as shown and described.

DESCRIPTION

FIG. 1 is a front perspective view of a scanner showing our new design;

FIG. 2 is a front view thereof;

FIG. 3 is a rear view thereof;

FIG. 4 is a right side view thereof;

FIG. 5 is a left side view thereof; and,

FIG. 6 is a top plan view thereof.

The portions in broken lines are not claimed.

1 Claim, 3 Drawing Sheets

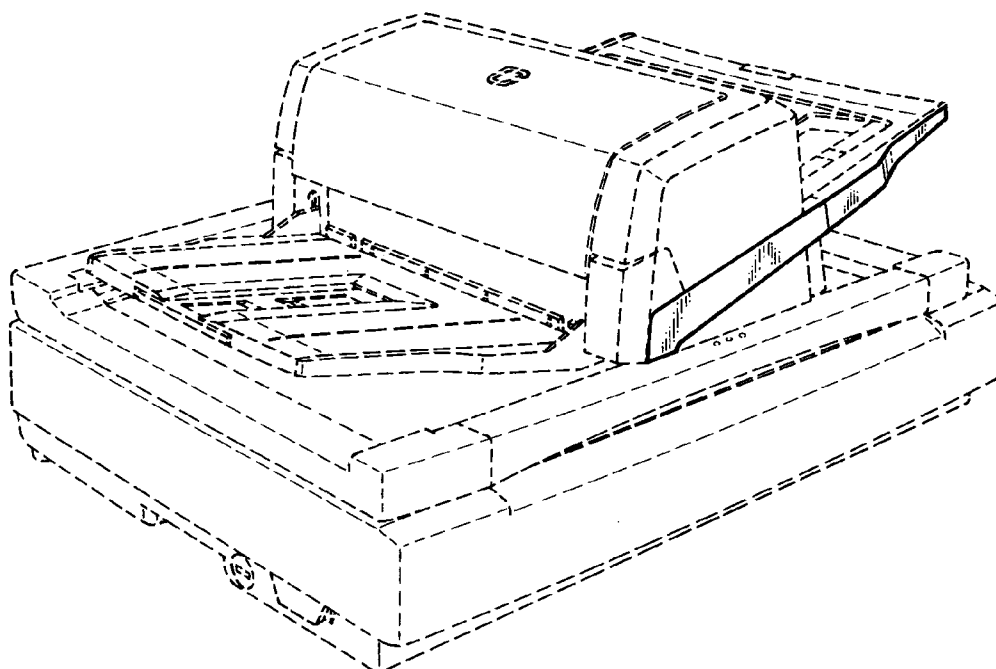


Fig. 1

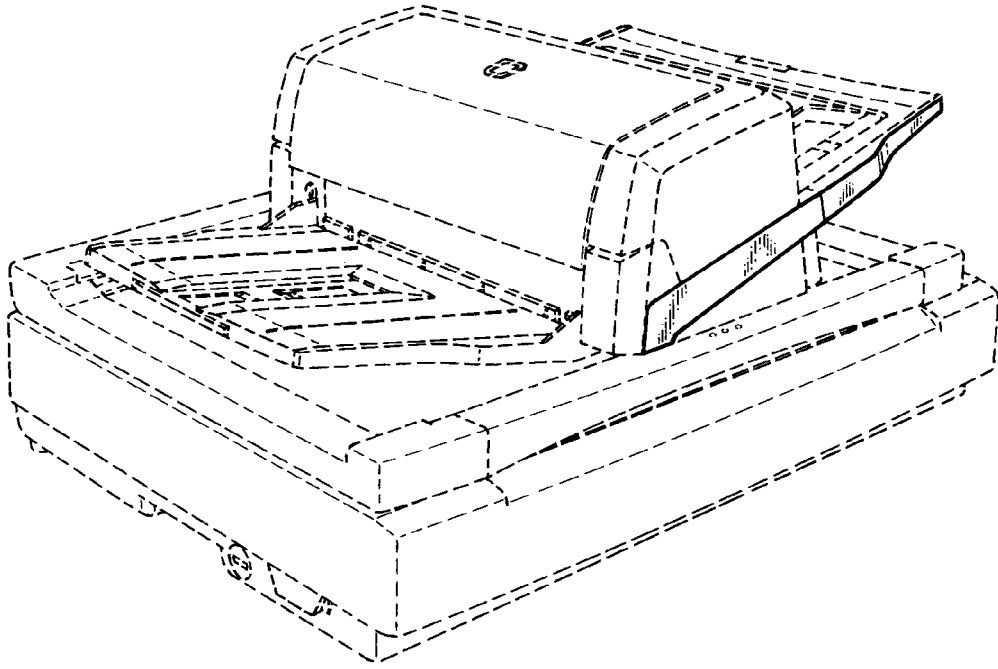


Fig. 2

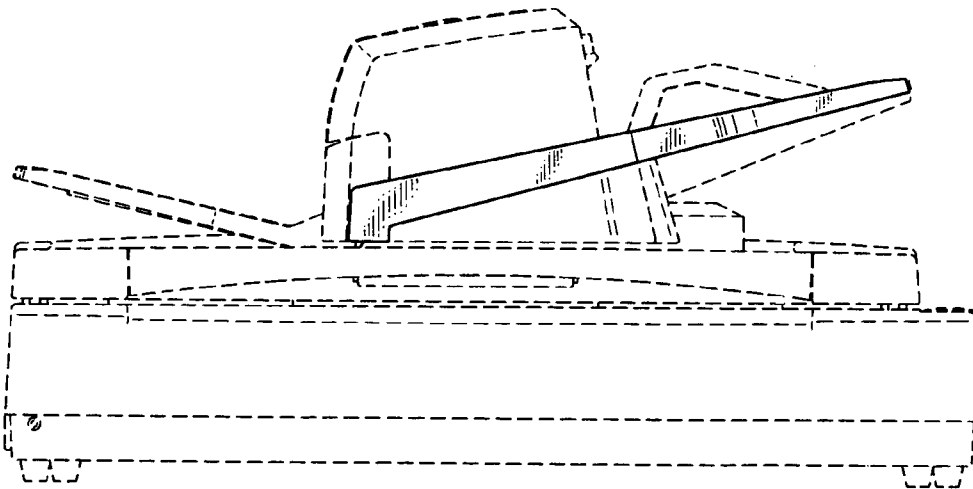


Fig.3

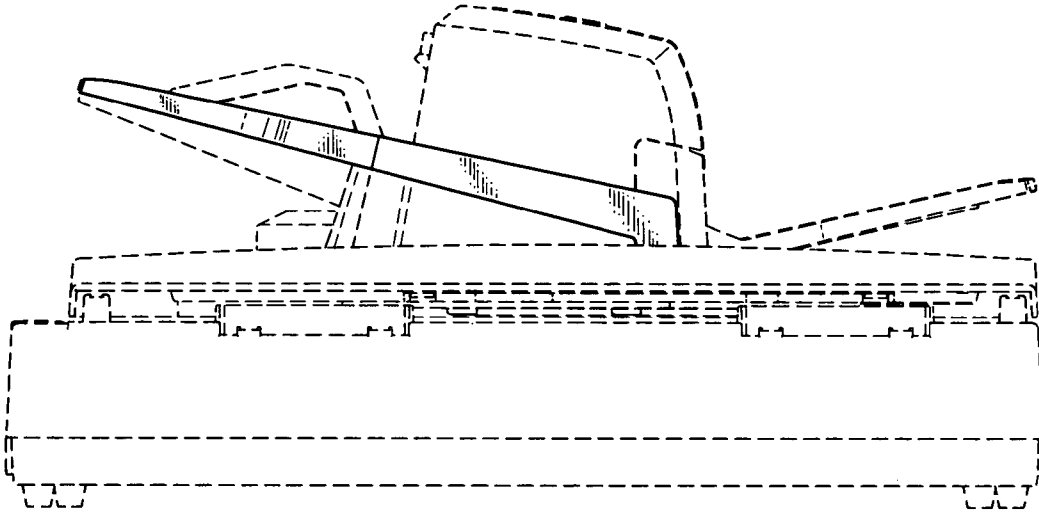


Fig.4

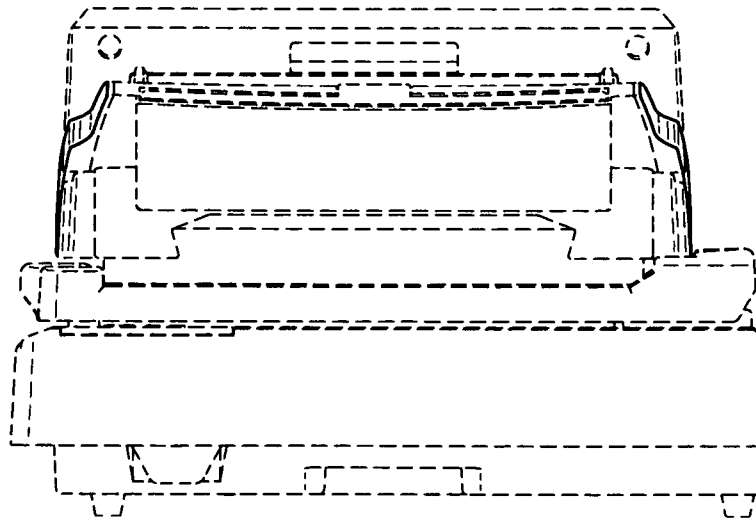


Fig.5

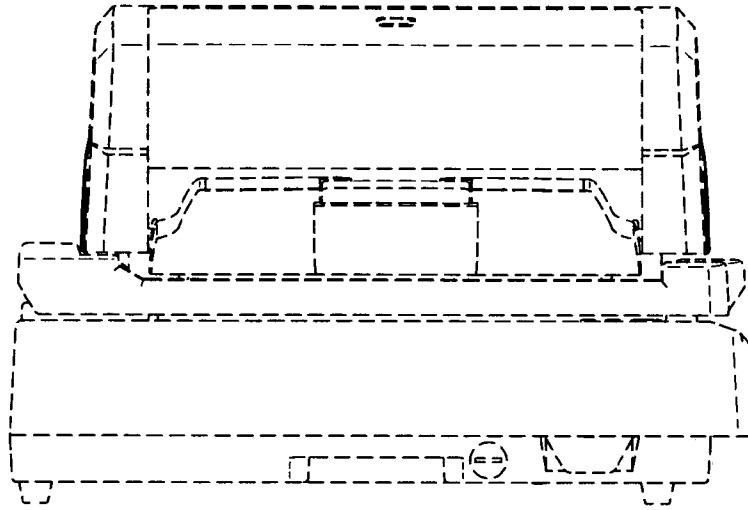


Fig.6

