



US00D744860S

(12) **United States Design Patent**
Walker et al.

(10) **Patent No.:** **US D744,860 S**

(45) **Date of Patent:** **** Dec. 8, 2015**

(54) **COLLAPSIBLE HOT DOG CONCESSION CARRIER ASSEMBLY**

(71) Applicants: **Steven Paul Walker**, Sunbury, OH (US);
Nicole Renee Herd-Walker, Sunbury,
OH (US)

(72) Inventors: **Steven Paul Walker**, Sunbury, OH (US);
Nicole Renee Herd-Walker, Sunbury,
OH (US)

(**) Term: **14 Years**

(21) Appl. No.: **29/438,582**

(22) Filed: **Nov. 30, 2012**

(51) **LOC (10) Cl.** **09-03**

(52) **U.S. Cl.**
USPC **D9/761**

(58) **Field of Classification Search**
USPC D9/761, 571; D7/550.1, 551.1, 556,
D7/563, 564, 567, 566, 571, 601, 602, 606,
D7/702; 206/562, 815; 220/556; 229/904
CPC A47G 19/065; B65D 1/34
See application file for complete search history.

(56) **References Cited**

U.S. PATENT DOCUMENTS

1,423,001 A 7/1922 Maxwell
D138,358 S 4/1944 Weeks

(Continued)

OTHER PUBLICATIONS

U.S. Appl. No. 29/438,572, filed Nov. 30, 2012, Walker.

Primary Examiner — Mark Goodwin

(74) *Attorney, Agent, or Firm* — Bryce D. Miracle; Miracle
IP

(57) **CLAIM**

The ornamental design for a collapsible hot dog concession carrier assembly, as shown and described.

DESCRIPTION

FIG. 1 is a perspective view of a collapsible hot dog concession carrier assembly showing our new design in assembled position;

FIG. 2 is a top plan view thereof;

FIG. 3 is a front elevation view thereof;

FIG. 4 is a back elevation view thereof;

FIG. 5 is a bottom plan view thereof;

FIG. 6 is a front edge view of the collapsible hot dog concession carrier assembly in the collapsed position;

FIG. 7 is a top plan view of the collapsible hot dog concession carrier assembly in the collapsed position;

FIG. 8 is a bottom plan view thereof;

FIG. 9 and FIG. 10 are top plan views of the unassembled collapsible hot dog concession carrier assembly depicted in two parts; FIG. 9 depicts the webbing and bridge apart from main body FIG. 10 of the collapsible hot dog concession carrier assembly;

FIG. 11 is a perspective view of a plurality of the collapsible hot dog concession carrier assembly stacked in the collapsed position for easy storing and distributing;

FIG. 12 is a perspective view of the application of the collapsible hot dog concession carrier assembly thereof; and

FIG. 13 is yet another perspective view of the application of the collapsible hot dog concession carrier assembly thereof holding a plurality of hot dogs.

FIG. 14 is a perspective view of a second embodiment of the collapsible hot dog concession carrier assembly;

FIG. 15 is a top plan view thereof;

FIG. 16 is a front elevation view thereof;

FIG. 17 is a back elevation view thereof;

FIG. 18 is a bottom plan view thereof;

FIG. 19 is a perspective view of a third embodiment of the collapsible hot dog concession carrier assembly;

FIG. 20 is a top plan view thereof;

FIG. 21 is a front elevation view thereof;

FIG. 22 is a back elevation view thereof;

FIG. 23 is a bottom plan view thereof;

FIG. 24 is a perspective view of a fourth embodiment of the collapsible hot dog concession carrier assembly;

FIG. 25 is a top plan view thereof;

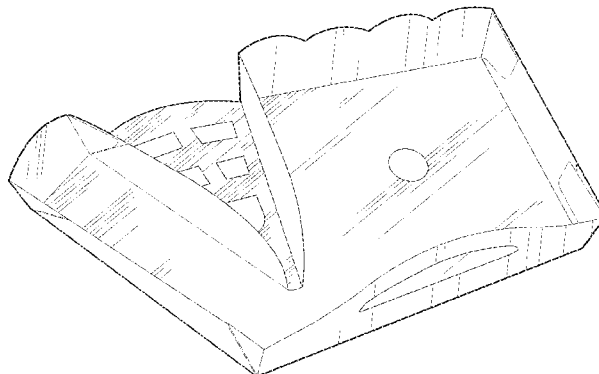
FIG. 26 is a front elevation view thereof; FIG. 27 is back elevation view thereof;

FIG. 28 is a bottom plan view thereof; and,

FIG. 29 is a perspective view of a right handed embodiment of the collapsible hot dog concession carrier assembly.

The broken line showing of the plurality of collapsible hot dog concession carriers in FIG. 11, the hand in FIG. 12, and the hand with hot dogs in FIG. 13 is included for the purpose of illustrating environmental structure only and forms no part of the claimed design.

1 Claim, 18 Drawing Sheets



(56)

References Cited

U.S. PATENT DOCUMENTS

3,094,264 A	6/1963	Petrone		D376,297 S *	12/1996	Jacobson	D7/552.2
3,955,672 A *	5/1976	Brundage 206/562	D376,732 S	12/1996	Smith		
D249,218 S	9/1978	Mathison		D398,481 S *	9/1998	Brown et al.	D7/554.2
D252,938 S	9/1979	Binderup		6,129,235 A *	10/2000	Creske	220/575
D274,299 S	6/1984	Kessler		D483,227 S	12/2003	Oas		
D286,487 S	11/1986	Laslo		7,000,799 B1 *	2/2006	Hamre	220/556
D298,296 S *	11/1988	Washburn et al. D7/553.8	D533,386 S	12/2006	Lesniak		
4,867,331 A *	9/1989	Task 220/23.8	D535,157 S	1/2007	Hoehne		
D313,728 S	1/1991	Oropeza		D557,987 S	12/2007	Hoehne		
D322,759 S	12/1991	Groves		D561,538 S	2/2008	Hall		
5,152,398 A *	10/1992	Forestal et al. 206/561	D591,175 S	4/2009	Larson		
D338,596 S	8/1993	Cafarella		D610,877 S	3/2010	Cooper		
D363,645 S	10/1995	Smith		D614,449 S	4/2010	Cooper		
D373,027 S	8/1996	Hulback		7,802,693 B2 *	9/2010	Kuhn	220/575
D373,510 S	9/1996	Smith		D629,654 S *	12/2010	Moon	D7/552.1
D373,933 S *	9/1996	Gibbs, III D7/555	D653,084 S *	1/2012	Borghini	D7/553.8
				D653,502 S	2/2012	Mitchell		
				8,746,456 B1 *	6/2014	Bradley	206/562
				2009/0120832 A1 *	5/2009	Munden	206/561

* cited by examiner

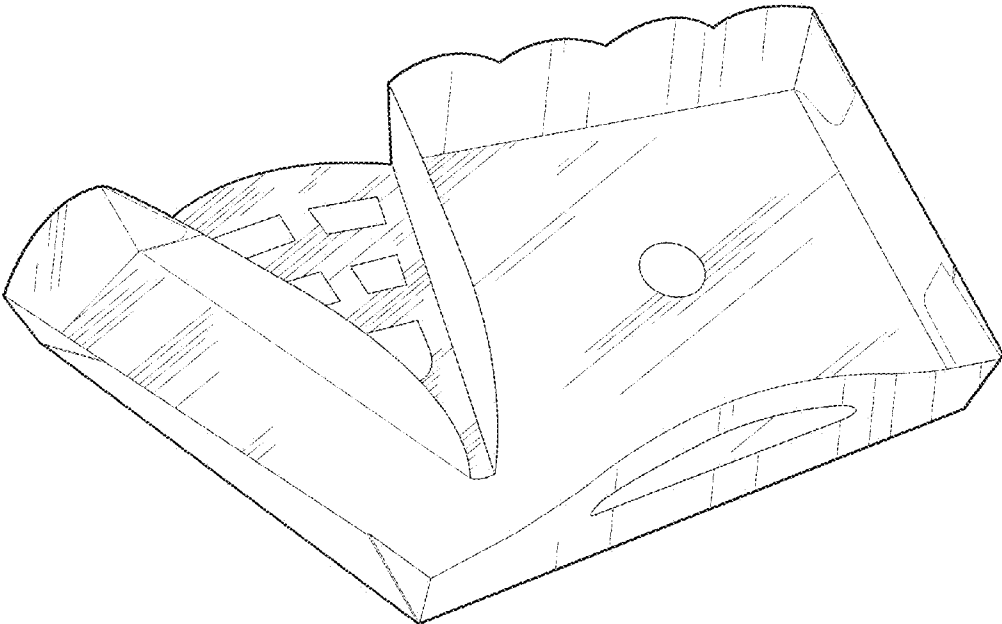


FIG. 1

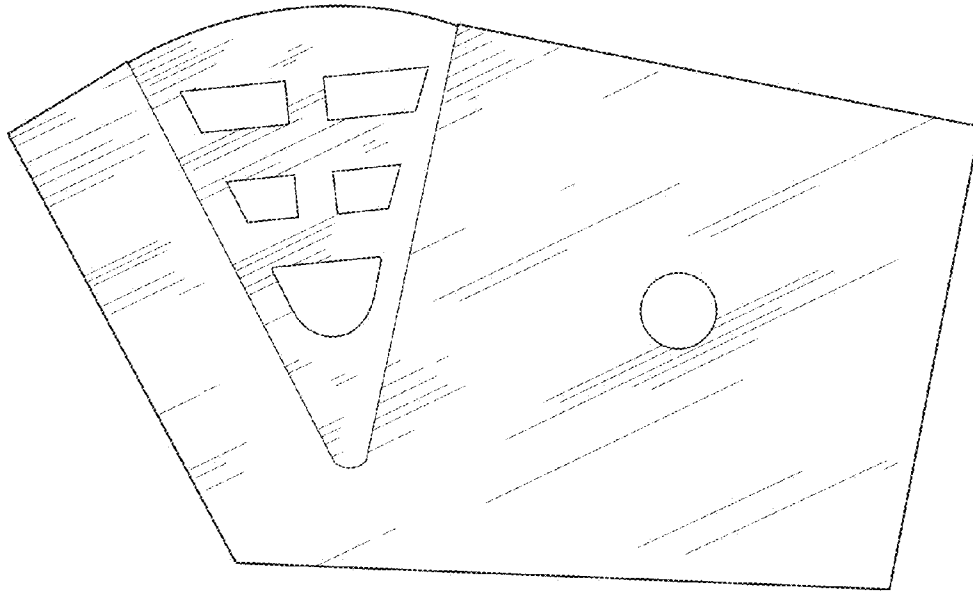


FIG. 2

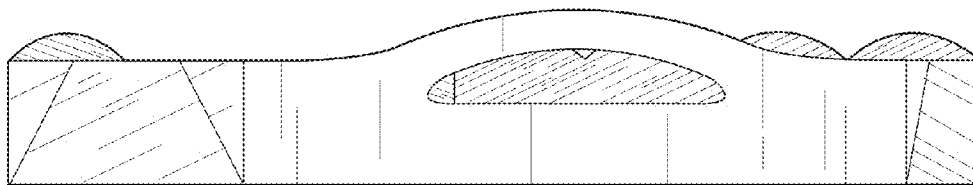


FIG. 3

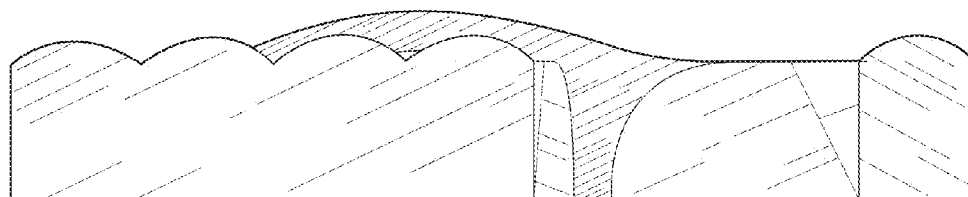


FIG. 4

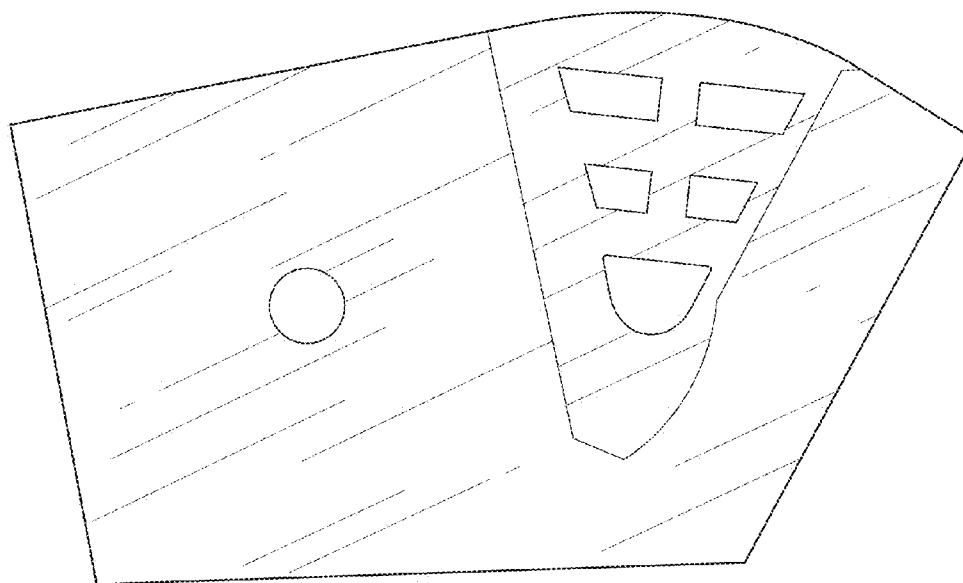


FIG. 5



FIG. 6

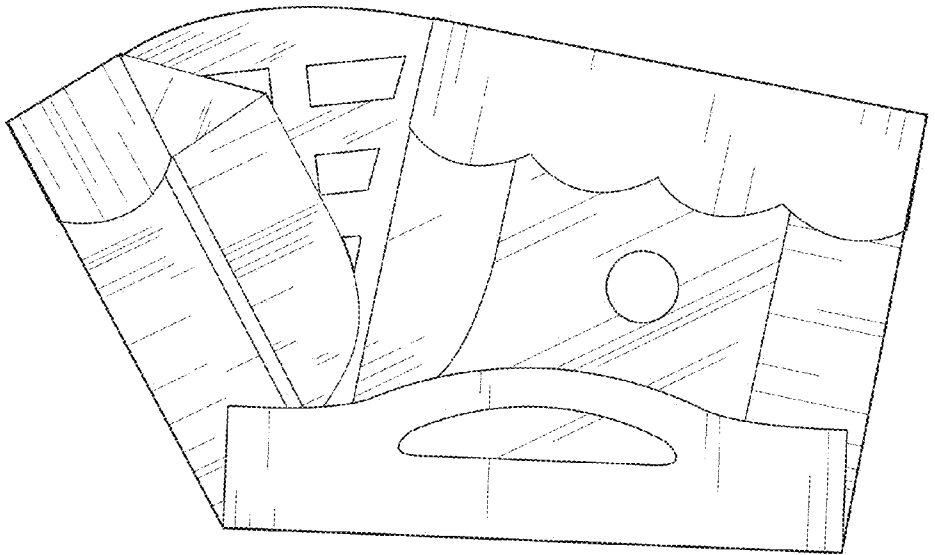


FIG. 7

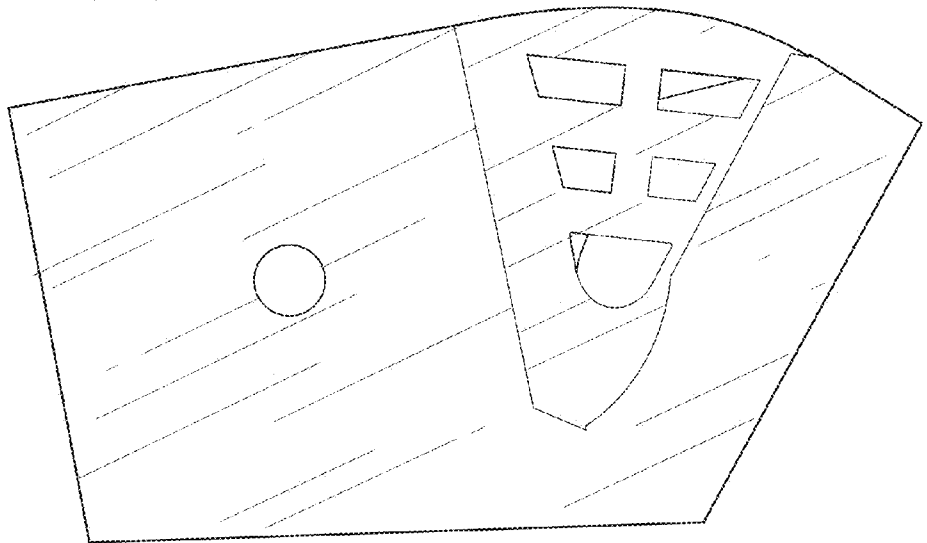


FIG. 8

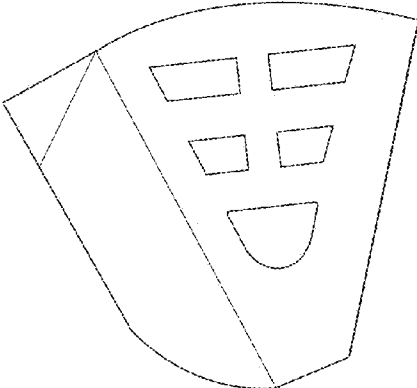


FIG. 9

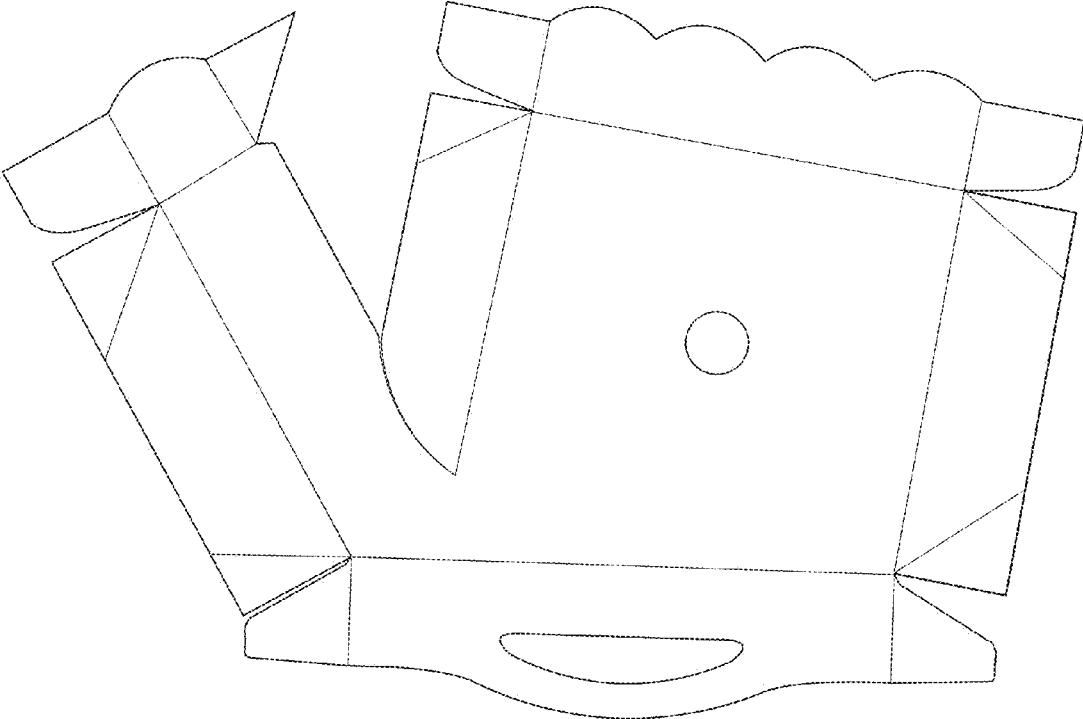


FIG. 10

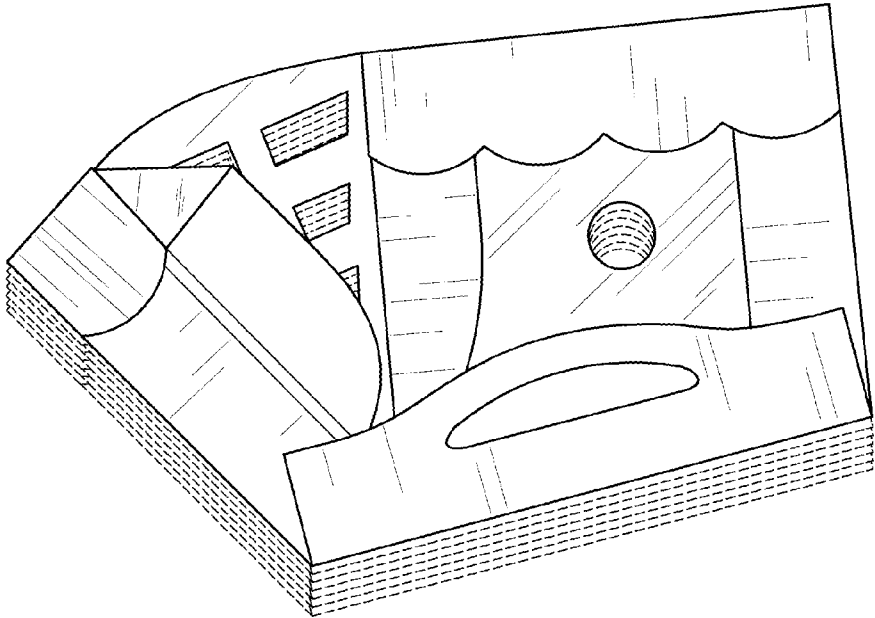


FIG. 11

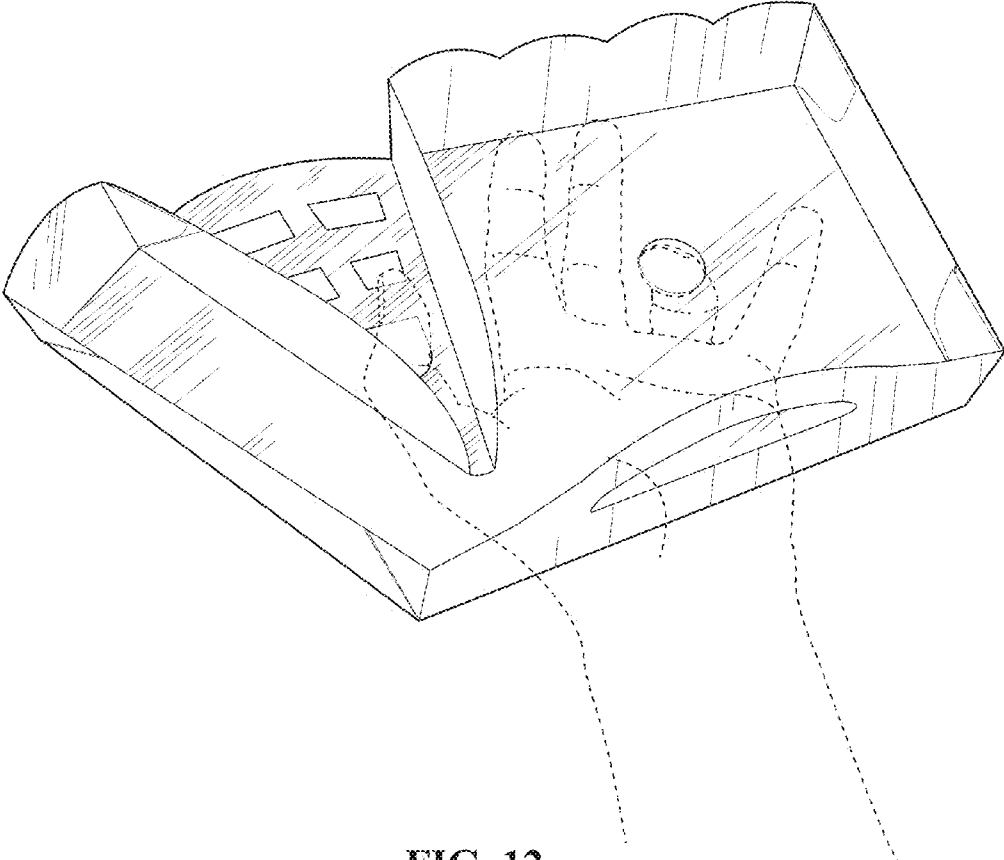


FIG. 12

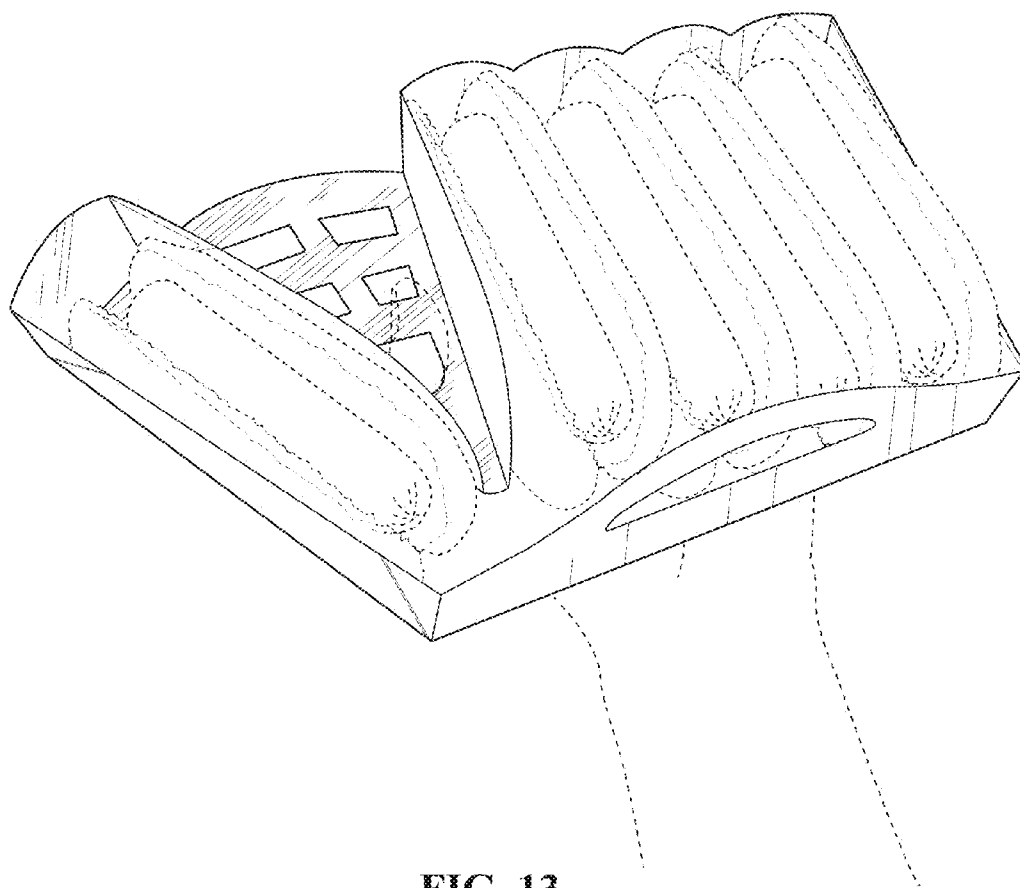


FIG. 13

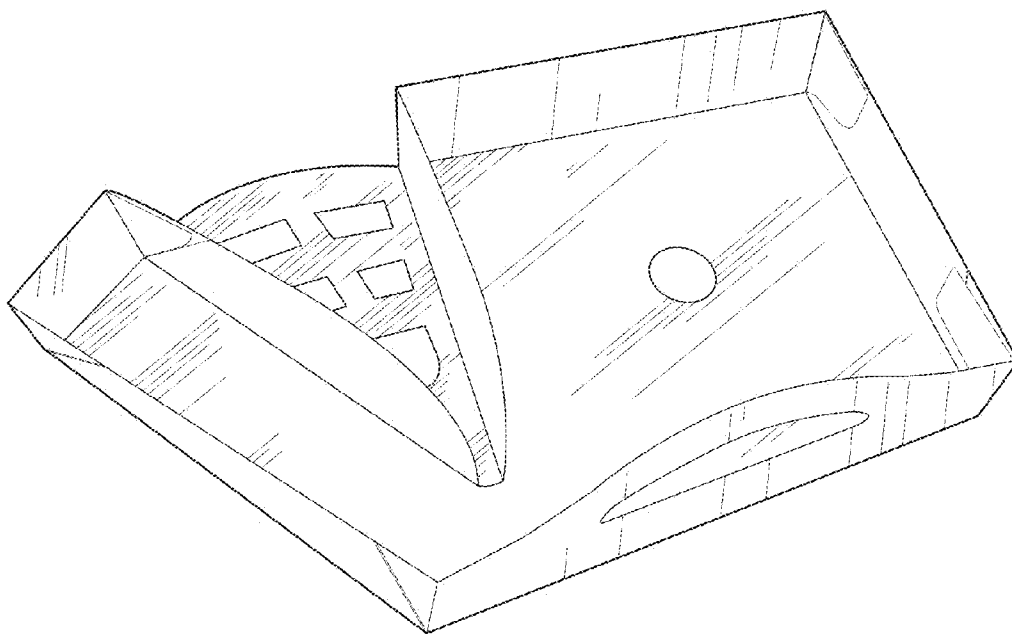


FIG. 14

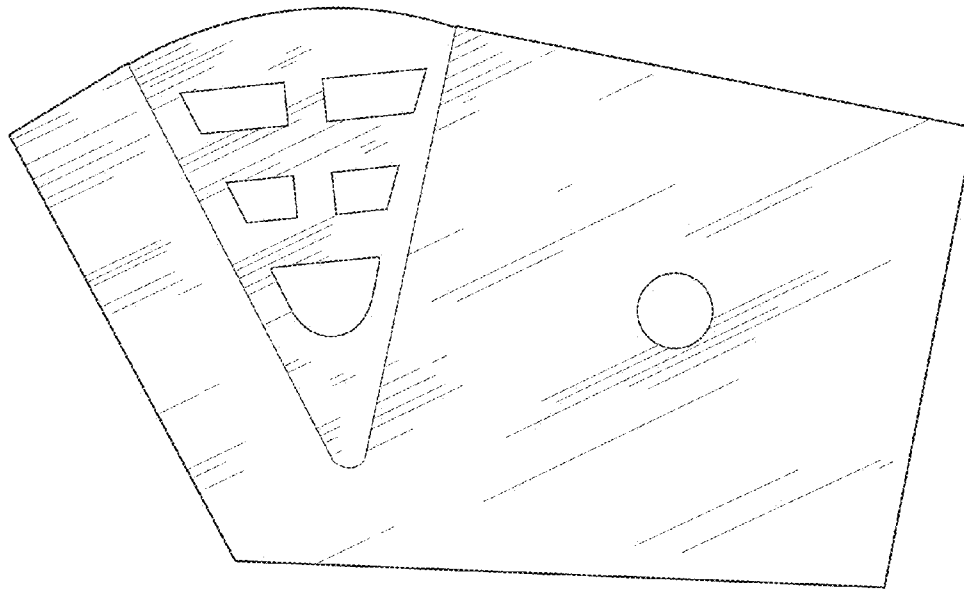


FIG. 15

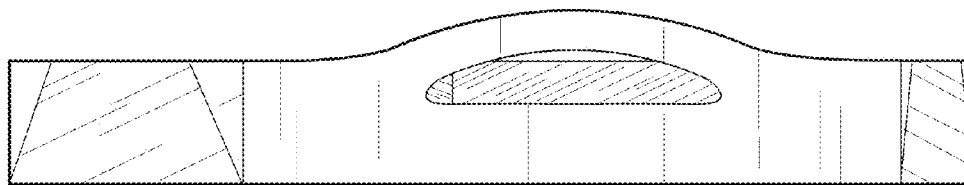


FIG. 16

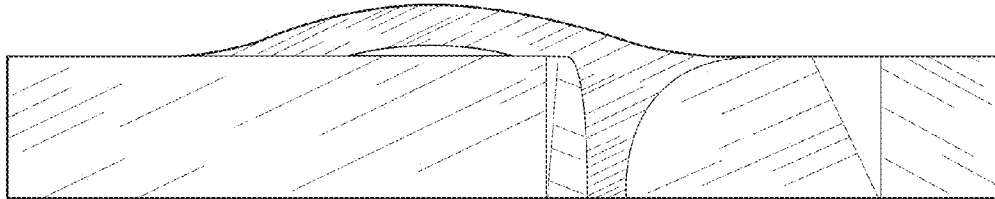


FIG. 17

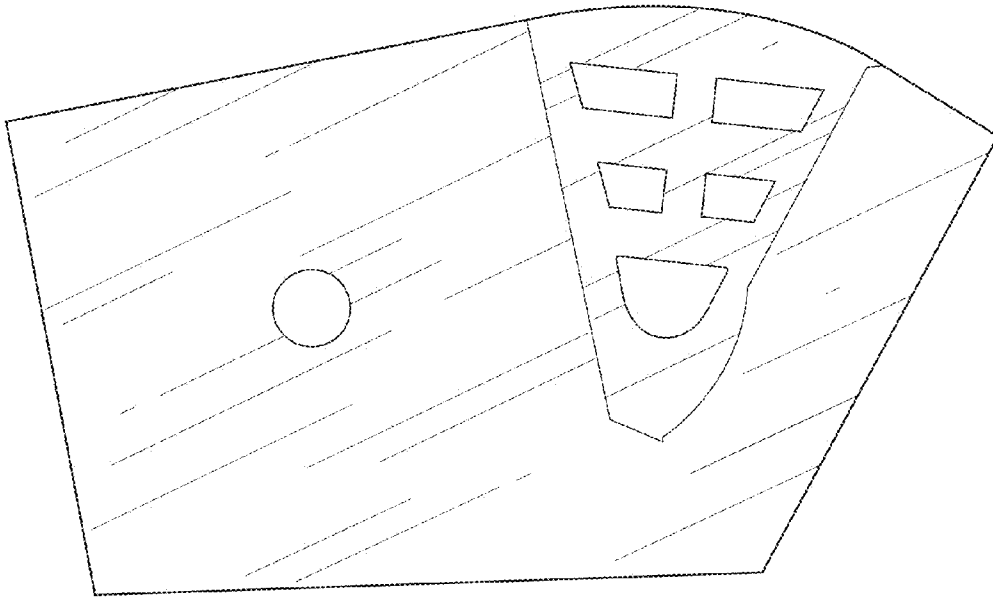


FIG. 18

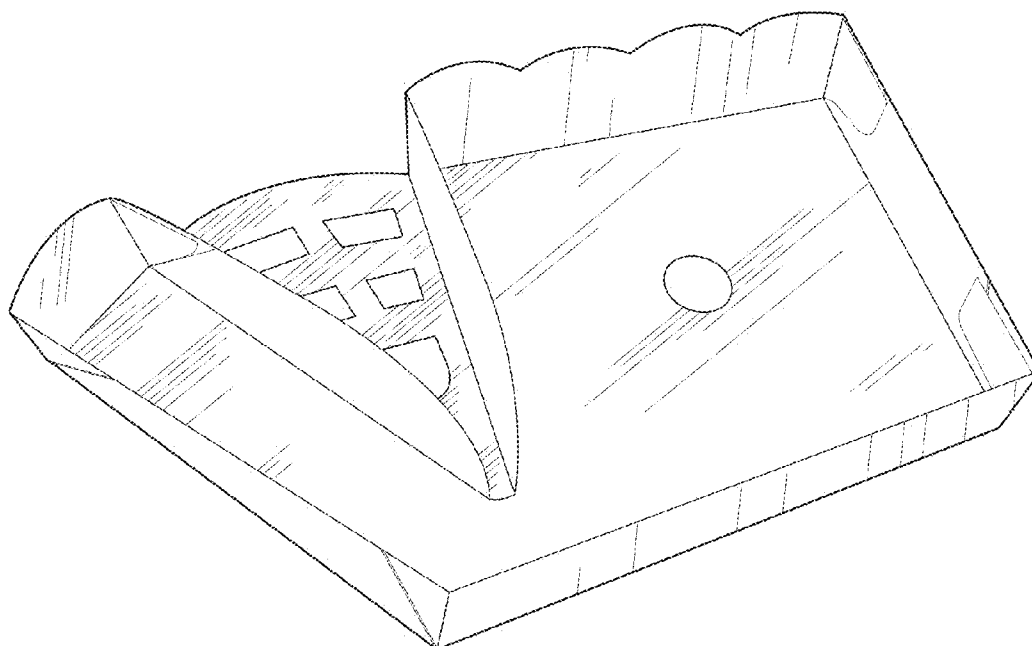


FIG. 19

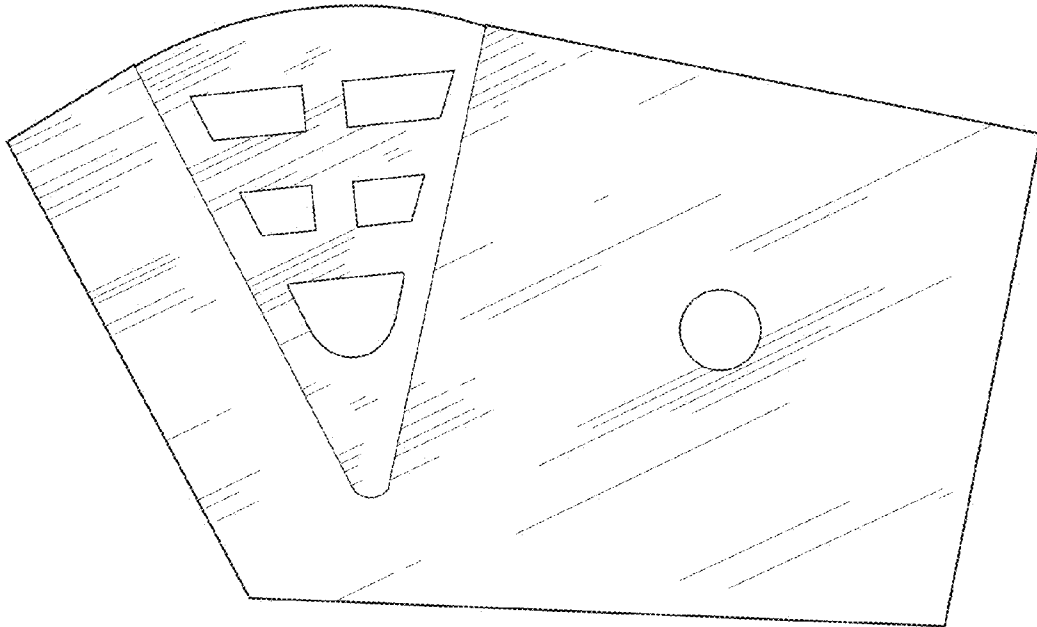


FIG. 20

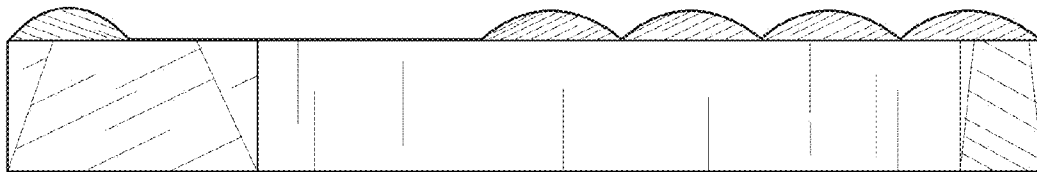


FIG. 21

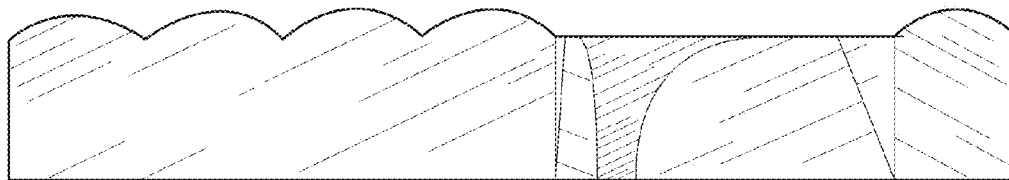


FIG. 22

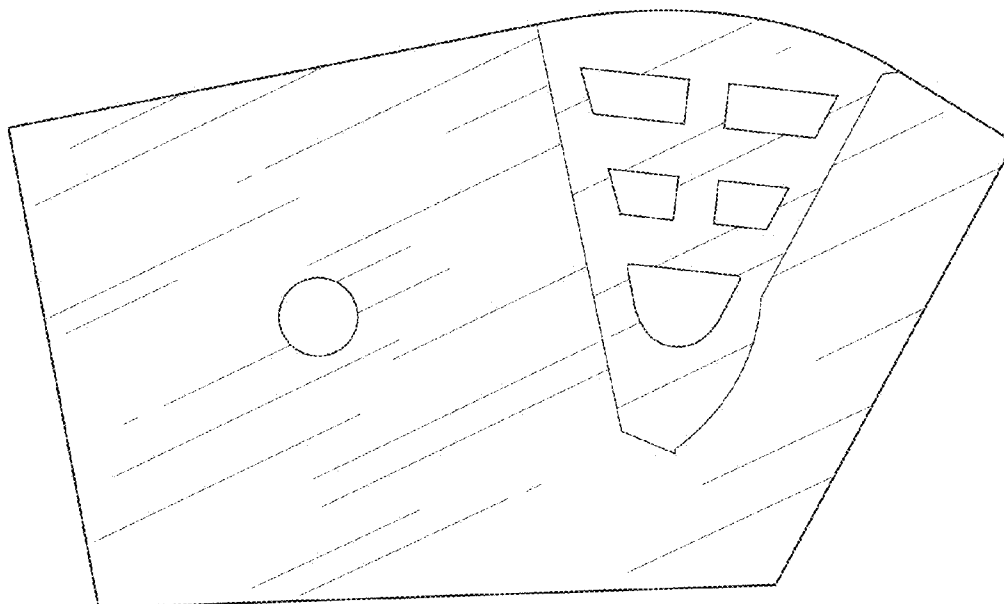


FIG. 23

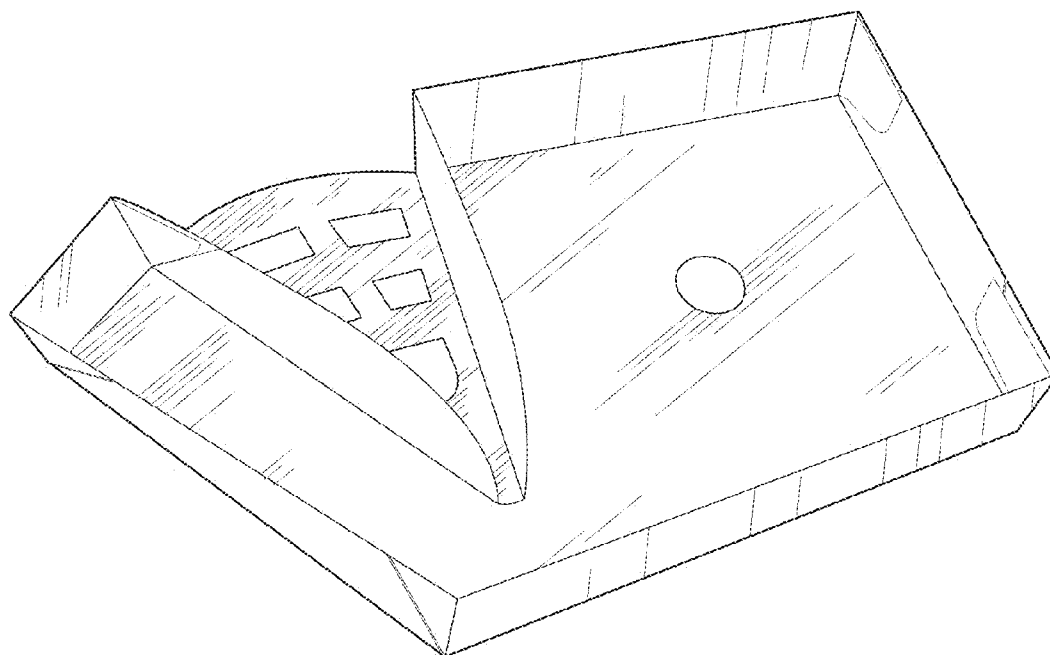


FIG. 24

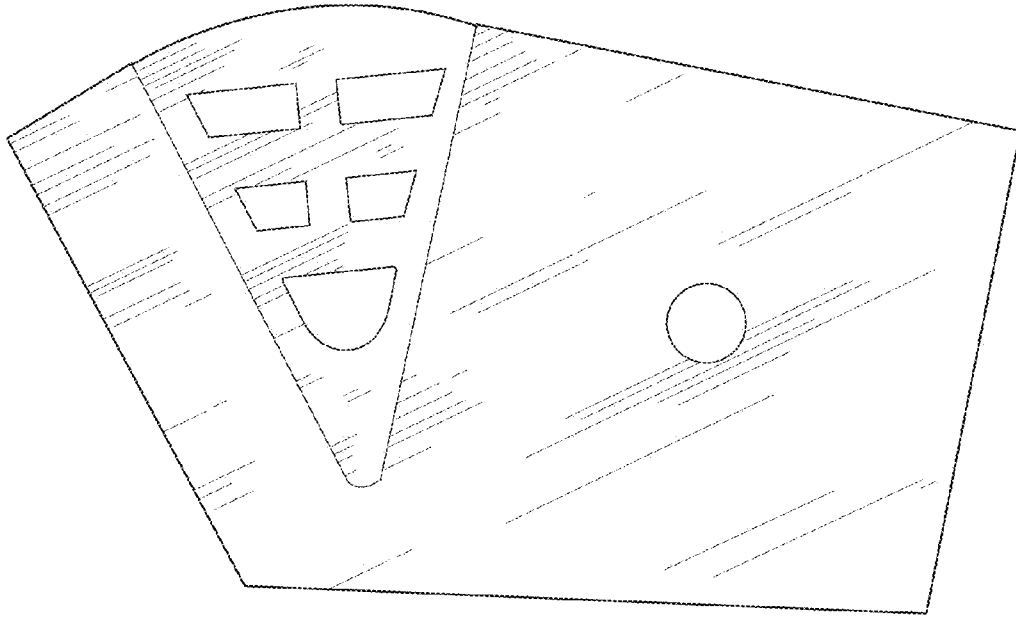


FIG. 25



FIG. 26

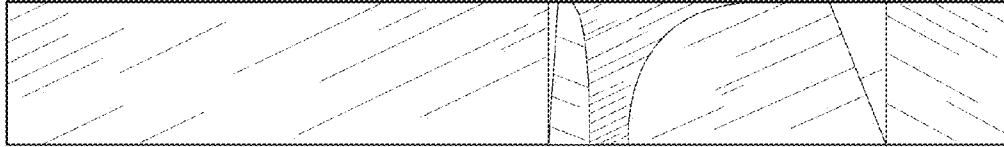


FIG. 27

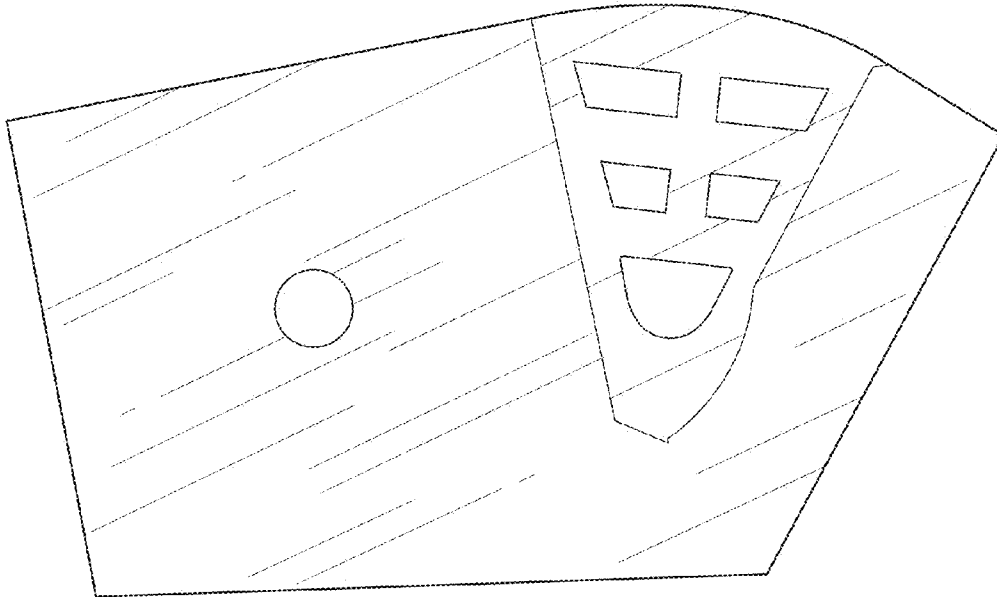


FIG. 28

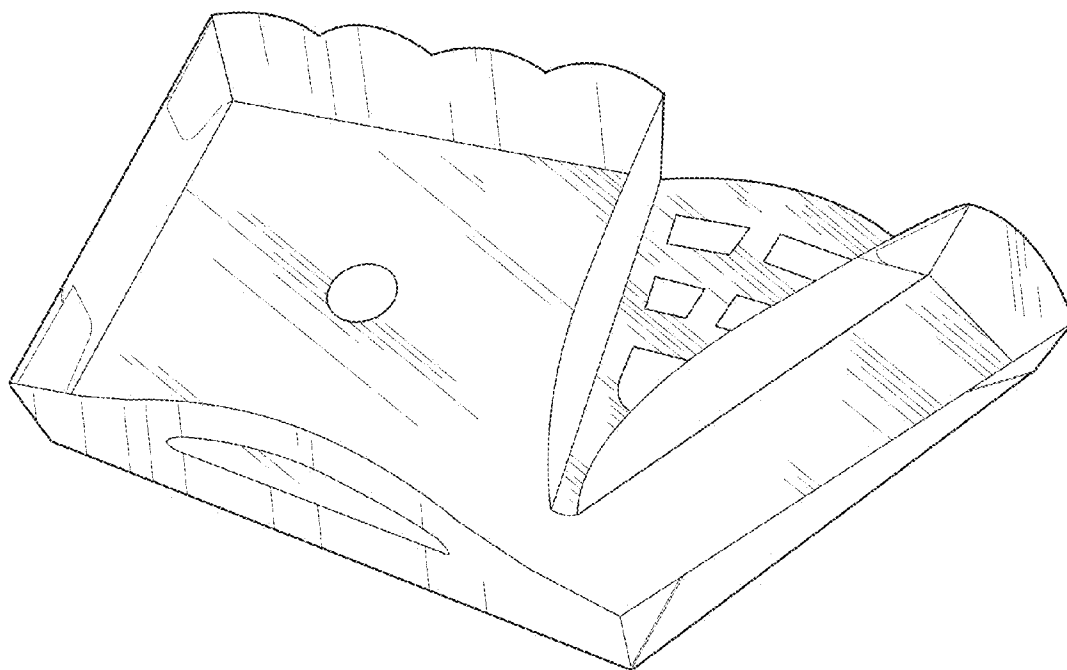


FIG. 29