



US00D797572S

(12) **United States Design Patent**  
**Richard**

(10) **Patent No.:** **US D797,572 S**

(45) **Date of Patent:** **\*\* Sep. 19, 2017**

(54) **COOKING POUCH**

(71) Applicant: **Cookina Holdings Inc.**, Brossard (CA)

(72) Inventor: **Alain Richard**, Brossard (CA)

(73) Assignee: **Cookina Holdings Inc.**, Brossard (CA)

(\*\*) Term: **15 Years**

(21) Appl. No.: **29/576,715**

(22) Filed: **Sep. 6, 2016**

(51) **LOC (10) Cl.** ..... **09-05**

(52) **U.S. Cl.**

USPC ..... **D9/707**

(58) **Field of Classification Search**

USPC ..... D9/702-714, 720-722, 414, 434-435,  
D9/696, 716, 771, 447, 522, 571-575,  
D9/682, 738-747, 516-517, 529-530,  
D9/547-549, 569, 537-538, 544,  
D9/503-505, 545; 383/6, 9, 22, 96, 61.1,  
383/80-81, 104, 901, 63, 203, 107, 119,  
383/120, 123; D24/118, 207; 222/107,  
222/92, 206; 604/408, 410, 403;  
220/495.03, 669, 675; 215/381-385,  
215/12.1; D3/202, 303, 232, 244;  
426/113, 394, 393, 410, 510, 520; D19/3  
CPC .... B65D 81/00; B65D 81/34; B65D 81/3461;  
B65D 81/3415; B65D 81/3423; B65D  
81/3438; B65D 81/3446; A47J 27/00;  
A47J 27/04; A47J 27/043

See application file for complete search history.

(56) **References Cited**

**U.S. PATENT DOCUMENTS**

838,964 A 12/1906 Dobson et al.  
876,117 A 1/1908 Walker  
1,062,643 A 5/1913 Fox  
1,465,284 A 8/1923 Osenkowski  
1,658,981 A 2/1928 Galbraith et al.  
2,281,452 A 4/1942 Ottinger

2,352,559 A 6/1944 Marcus et al.  
3,125,279 A 3/1964 Watts et al.  
3,220,637 A 11/1965 Yee  
3,615,712 A 10/1971 Keller

(Continued)

**FOREIGN PATENT DOCUMENTS**

JP 2009-273382 11/2009

**OTHER PUBLICATIONS**

Cookina Catalog, "A revolutionary way to Grill, Cook and Bake, 2015-2016 Collection Reusable Non-Stick Products," 11 pages.

*Primary Examiner* — Abraham Bahta

(74) *Attorney, Agent, or Firm* — Benedict R. Dugan;  
Lowe Graham Jones PLLC

(57) **CLAIM**

I claim the ornamental design for the cooking pouch, as shown and described.

**DESCRIPTION**

FIG. 1 is a front perspective view of the cooking pouch while open;

FIG. 2 is a front elevation view of the cooking pouch while open;

FIG. 3 is a rear elevation view of the cooking pouch while open;

FIG. 4 is a left side elevation view of the cooking pouch while open;

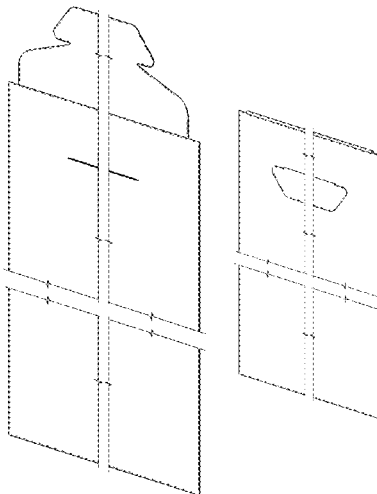
FIG. 5 is a right side elevation view of the cooking pouch while open;

FIG. 6 is a top plan view of the cooking pouch while open; FIG. 7 is a bottom plan view of the cooking pouch while open; and,

FIG. 8 is a perspective view of the cooking pouch while closed.

The break lines in the Figures represent variable width and height of the pouch.

**1 Claim, 6 Drawing Sheets**



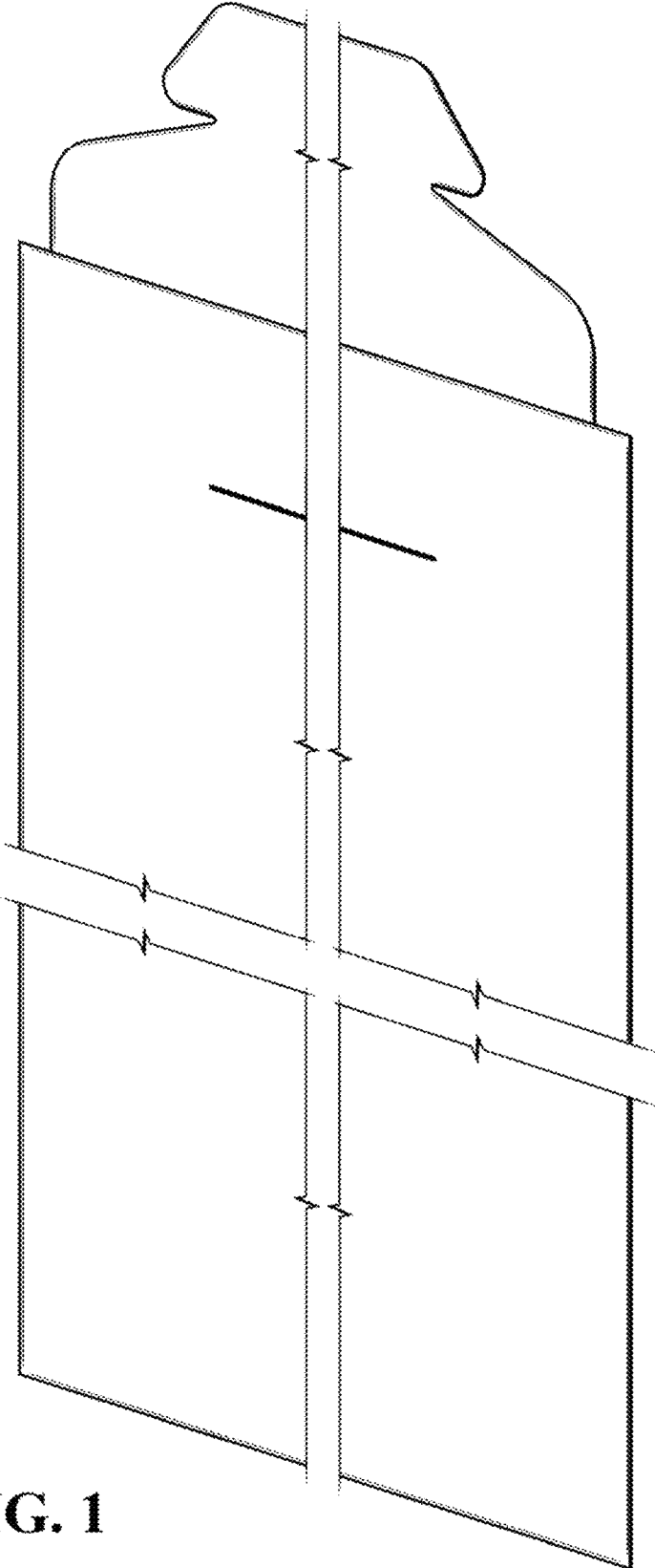
(56)

**References Cited**

## U.S. PATENT DOCUMENTS

4,286,639	A	9/1981	Murphy	
4,765,485	A *	8/1988	Perkins .....	B65D 27/22 229/315
4,923,701	A	5/1990	VanErden	
5,086,970	A	2/1992	Su	
D395,005	S *	6/1998	Burton .....	D19/3
6,312,157	B1	11/2001	Masuda et al.	
6,726,076	B1	4/2004	Hernandez	
7,001,628	B1	2/2006	Unwin	
D552,482	S *	10/2007	Lin .....	D9/703
7,323,669	B2	1/2008	Robison et al.	
7,824,720	B2	11/2010	Unwin	
D632,565	S *	2/2011	Caldwell .....	D9/435
D632,567	S *	2/2011	Caldwell .....	D9/435
D632,972	S *	2/2011	Yoffe .....	D9/705
8,013,280	B2	9/2011	Robison et al.	
8,123,035	B2	2/2012	Won	
8,642,935	B2	2/2014	Robison et al.	
9,004,345	B2 *	4/2015	Makofsky .....	B65D 27/14 229/307
D744,352	S *	12/2015	Quarles .....	D9/707
D744,853	S *	12/2015	Murray .....	D9/707
D768,006	S *	10/2016	Pitts .....	D9/702
2004/0108321	A1	6/2004	Haynes	
2007/0134378	A1	6/2007	Burton et al.	
2008/0087268	A1	4/2008	Burton	
2010/0195939	A1	8/2010	Tucker	
2011/0253771	A1	10/2011	Willey et al.	
2013/0121623	A1	5/2013	Lyzenga et al.	

\* cited by examiner



**FIG. 1**

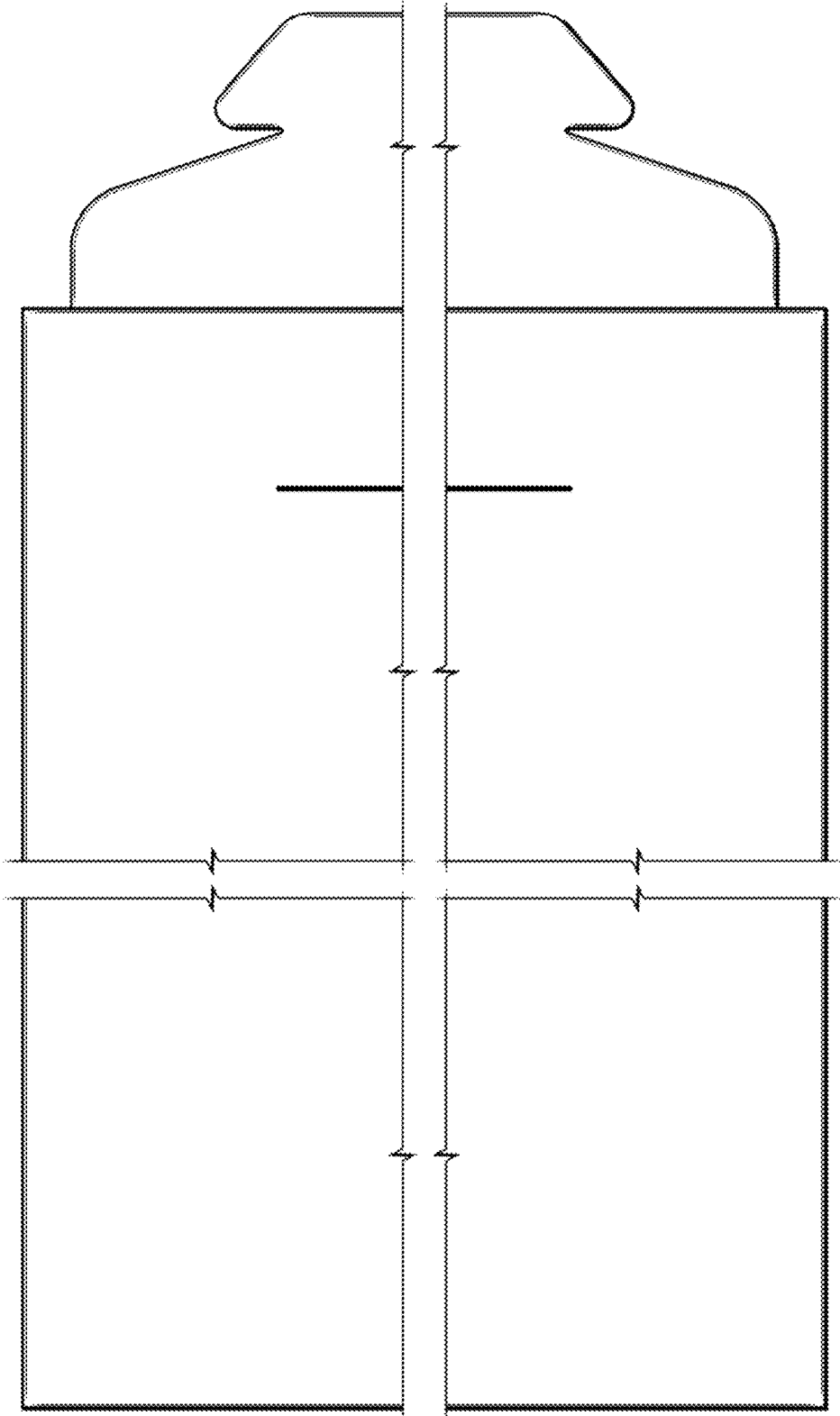


FIG. 2

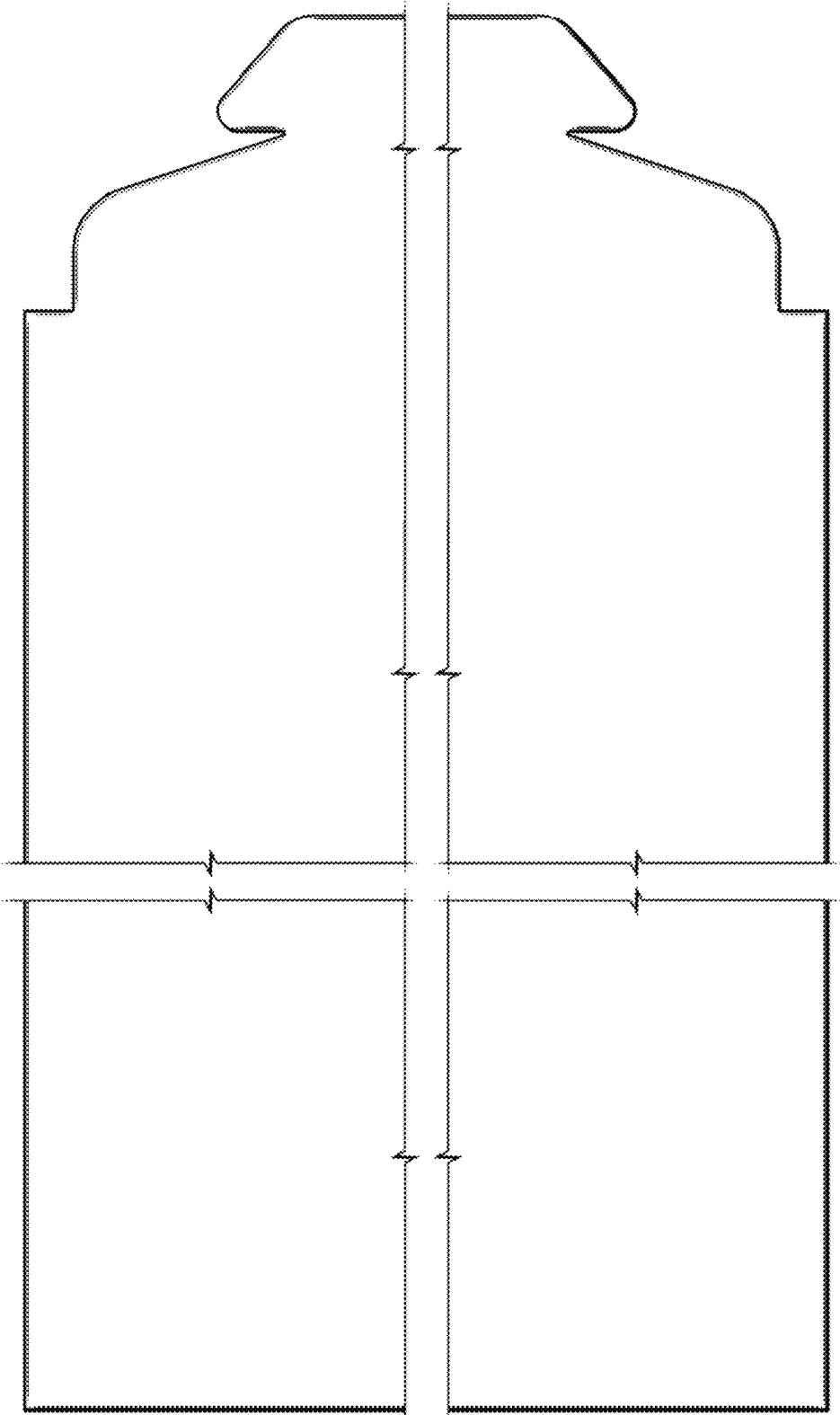


FIG. 3



**FIG. 4**



**FIG. 5**



**FIG. 6**



**FIG. 7**

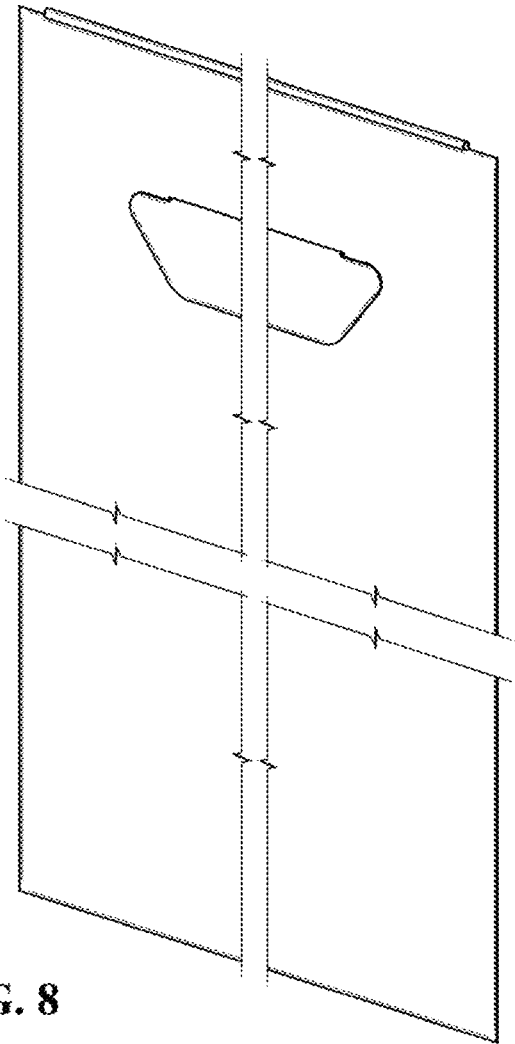


FIG. 8