

(19) World Intellectual Property Organization
International Bureau



(43) International Publication Date
8 February 2001 (08.02.2001)

PCT

(10) International Publication Number
WO 01/10095 A3

(51) International Patent Classification⁷: **H04L 29/06**

[IL/US]; 10552 N.W. LA Cassel Crest Lane, Portland, OR 97229 (US). **ELZUR, Uri** [IL/IL]; 78 Hashomer Street, 30900 Zichron Yaakov (IL).

(21) International Application Number: PCT/US00/16588

(22) International Filing Date: 16 June 2000 (16.06.2000)

(25) Filing Language: English

(26) Publication Language: English

(30) Priority Data:
09/364,835 30 July 1999 (30.07.1999) US

(74) Agent: **TROP, Timothy, N.**; Trop, Pruner, Hu & Miles, P.C., Suite 100, 8554 Katy Freeway, Houston, TX 77024 (US).

(63) Related by continuation (CON) or continuation-in-part (CIP) to earlier application:
US 09/364,835 (CON)
Filed on 30 July 1999 (30.07.1999)

(81) Designated States (*national*): AE, AG, AL, AM, AT, AU, AZ, BA, BB, BG, BR, BY, CA, CH, CN, CR, CU, CZ, DE, DK, DM, DZ, EE, ES, FI, GB, GD, GE, GH, GM, HR, HU, ID, IL, IN, IS, JP, KE, KG, KP, KR, KZ, LC, LK, LR, LS, LT, LU, LV, MA, MD, MG, MK, MN, MW, MX, MZ, NO, NZ, PL, PT, RO, RU, SD, SE, SG, SI, SK, SL, TJ, TM, TR, TT, TZ, UA, UG, US, UZ, VN, YU, ZA, ZW.

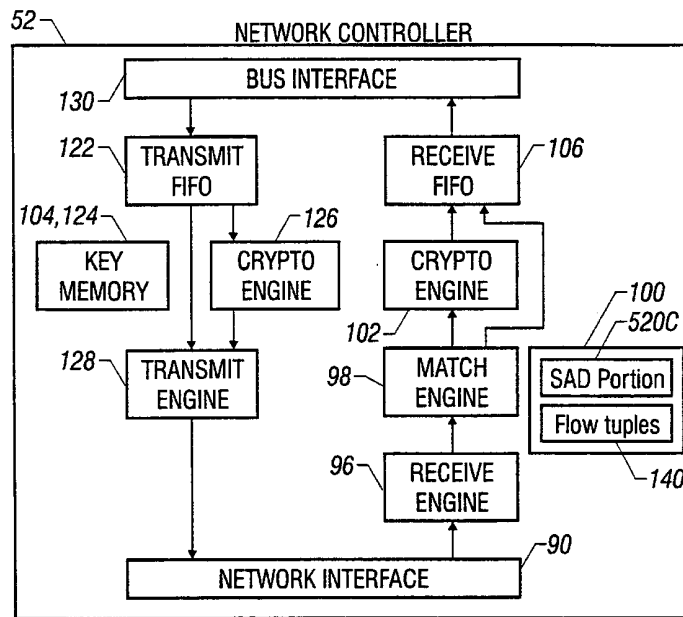
(71) Applicant (*for all designated States except US*): **INTEL CORPORATION** [US/US]; 2200 Mission College Boulevard, Santa Clara, CA 95052 (US).

(84) Designated States (*regional*): ARIPO patent (GH, GM, KE, LS, MW, MZ, SD, SL, SZ, TZ, UG, ZW), Eurasian patent (AM, AZ, BY, KG, KZ, MD, RU, TJ, TM), European patent (AT, BE, CH, CY, DE, DK, ES, FI, FR, GB, GR, IE, IT, LU, MC, NL, PT, SE), OAPI patent (BF, BJ, CF, CG, CI, CM, GA, GN, GW, ML, MR, NE, SN, TD, TG).

(72) Inventors; and
(75) Inventors/Applicants (*for US only*): **PATEL, Baiju, V.**

[Continued on next page]

(54) Title: PROTECTION OF COMMUNICATIONS



(57) Abstract: A controller (52) for controlling communications between a system (50) and a transport medium (47) includes a receiving circuit (96) to receive data and associated security control information. A first cryptographic engine (102) cryptographically processes the data received from the transport medium based on the security control information. The controller (52) also includes a second cryptographic engine (126) to process data generated in the system (50) according to a security protocol before transmission to the transport medium (47).



WO 01/10095 A3



Published:

— with international search report

For two-letter codes and other abbreviations, refer to the "Guidance Notes on Codes and Abbreviations" appearing at the beginning of each regular issue of the PCT Gazette.

(88) Date of publication of the international search report:

16 August 2001

INTERNATIONAL SEARCH REPORT

International Application No
PCT/US 00/16588

A. CLASSIFICATION OF SUBJECT MATTER
IPC 7 H04L29/06

According to International Patent Classification (IPC) or to both national classification and IPC

B. FIELDS SEARCHED

Minimum documentation searched (classification system followed by classification symbols)
IPC 7 H04L

Documentation searched other than minimum documentation to the extent that such documents are included in the fields searched

Electronic data base consulted during the international search (name of data base and, where practical, search terms used)
EPO-Internal, WPI Data, PAJ, INSPEC, IBM-TDB

C. DOCUMENTS CONSIDERED TO BE RELEVANT

Category *	Citation of document, with indication, where appropriate, of the relevant passages	Relevant to claim No.
E	US 6 081 895 A (RODEN CHRISTOPH ANDREAS ET AL) 27 June 2000 (2000-06-27) abstract column 2, line 21 - line 31 column 4, line 39 - line 51 column 6, line 32 - line 45 -----	1, 2, 5, 8, 9, 11, 13-20
X	EP 0 876 026 A (MOTOROLA INC) 4 November 1998 (1998-11-04) abstract page 3, column 3, line 25 - line 41 page 3, column 4, line 41 - line 54 page 4, column 6, line 54 - page 5, column 8, line 8 -----	1, 2, 5, 8, 9, 11, 13-20

Further documents are listed in the continuation of box C.

Patent family members are listed in annex.

* Special categories of cited documents :

- *A* document defining the general state of the art which is not considered to be of particular relevance
- *E* earlier document but published on or after the international filing date
- *L* document which may throw doubts on priority claim(s) or which is cited to establish the publication date of another citation or other special reason (as specified)
- *O* document referring to an oral disclosure, use, exhibition or other means
- *P* document published prior to the international filing date but later than the priority date claimed

- *T* later document published after the international filing date or priority date and not in conflict with the application but cited to understand the principle or theory underlying the invention
- *X* document of particular relevance; the claimed invention cannot be considered novel or cannot be considered to involve an inventive step when the document is taken alone
- *Y* document of particular relevance; the claimed invention cannot be considered to involve an inventive step when the document is combined with one or more other such documents, such combination being obvious to a person skilled in the art.
- *&* document member of the same patent family

Date of the actual completion of the international search

Date of mailing of the international search report

8 March 2001

15/03/2001

Name and mailing address of the ISA
 European Patent Office, P.B. 5818 Patentlaan 2
 NL - 2280 HV Rijswijk
 Tel. (+31-70) 340-2040, Tx. 31 651 epo nl,
 Fax: (+31-70) 340-3016

Authorized officer

Adkhis, F

INTERNATIONAL SEARCH REPORT

Information on patent family members

International Application No

PCT/US 00/16588

Patent document cited in search report		Publication date	Patent family member(s)	Publication date
US 6081895	A	27-06-2000	NONE	
EP 0876026	A	04-11-1998	US 6101255 A	08-08-2000
			JP 10320191 A	04-12-1998
			TW 386202 B	01-04-2000