

(19) World Intellectual Property Organization  
International Bureau



(43) International Publication Date  
16 May 2002 (16.05.2002)

PCT

(10) International Publication Number  
WO 02/038249 A3

(51) International Patent Classification<sup>7</sup>: B01D 53/04, 46/52, A62B 23/02

(21) International Application Number: PCT/US01/51336

(22) International Filing Date: 26 October 2001 (26.10.2001)

(25) Filing Language: English

(26) Publication Language: English

(30) Priority Data:  
60/243,918 27 October 2000 (27.10.2000) US

(71) Applicant: SCOTT TECHNOLOGIES, INC. [US/US];  
One Chagrin Highlands, 2000 Auburn Drive, Suite 400,  
Beachwood, OH 44122 (US).

(72) Inventor: ESTKOWSKI, Christopher, G.; 6015 105th  
Avenue, Pullman, MI 49450 (US).

(74) Agents: LINIHAN, Martin, G. et al.; Hodgson Russ LLP,  
One M & T Plaza, Suite 2000, Buffalo, NY 14203-2391  
(US).

(81) Designated States (*national*): AE, AG, AL, AM, AT, AU, AZ, BA, BB, BG, BR, BY, BZ, CA, CH, CN, CO, CR, CU, CZ, DE, DK, DM, DZ, EC, EE, ES, FI, GB, GD, GE, GH, GM, HR, HU, ID, IL, IN, IS, JP, KE, KG, KP, KR, KZ, LC, LK, LR, LS, LT, LU, LV, MA, MD, MG, MK, MN, MW, MX, MZ, NO, NZ, PH, PL, PT, RO, RU, SD, SE, SG, SI, SK, SL, TJ, TM, TR, TT, TZ, UA, UG, UZ, VN, YU, ZA, ZW.

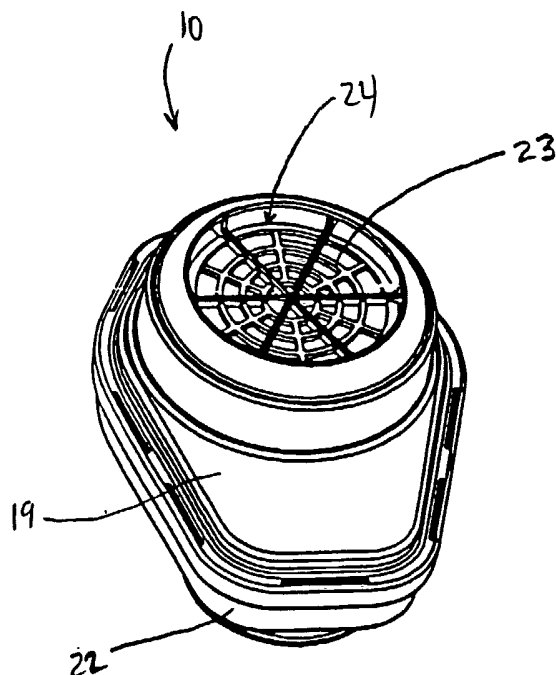
(84) Designated States (*regional*): ARIPO patent (GH, GM, KE, LS, MW, MZ, SD, SL, SZ, TZ, UG, ZW), Eurasian patent (AM, AZ, BY, KG, KZ, MD, RU, TJ, TM), European patent (AT, BE, CH, CY, DE, DK, ES, FI, FR, GB, GR, IE, IT, LU, MC, NL, PT, SE, TR), OAPI patent (BF, BJ, CF, CG, CI, CM, GA, GN, GQ, GW, ML, MR, NE, SN, TD, TG).

**Published:**  
— with international search report  
— before the expiration of the time limit for amending the claims and to be republished in the event of receipt of amendments

(88) Date of publication of the international search report:  
28 August 2003

[Continued on next page]

(54) Title: COMBINATION FILTER/CARTRIDGE ASSEMBLY



(57) Abstract: A filter cartridge assembly including a replendam that combines a particulate filter with an irregular shaped gas sorbent bed. Best operational practice requires that the air passing through the filter be distributed uniformly over the sorbent bed. The replendam directs the air over the surface of the larger sorbent bed utilizing vane-like structures extending from the reticulated member providing for uniform distribution.



WO 02/038249 A3



---

*For two-letter codes and other abbreviations, refer to the "Guidance Notes on Codes and Abbreviations" appearing at the beginning of each regular issue of the PCT Gazette.*

INTERNATIONAL SEARCH REPORT

International Application No  
PCT/US 01/51336

A. CLASSIFICATION OF SUBJECT MATTER  
IPC 7 B01D53/04 B01D46/52 A62B23/02

According to International Patent Classification (IPC) or to both national classification and IPC

B. FIELDS SEARCHED

Minimum documentation searched (classification system followed by classification symbols)  
IPC 7 B01D A62B C02F

Documentation searched other than minimum documentation to the extent that such documents are included in the fields searched

Electronic data base consulted during the international search (name of data base and, where practical, search terms used)

EPO-Internal

C. DOCUMENTS CONSIDERED TO BE RELEVANT

Category °	Citation of document, with indication, where appropriate, of the relevant passages	Relevant to claim No.
X	US 4 850 346 A (MICHEL JOHN M ET AL) 25 July 1989 (1989-07-25) figures 4,6A	22-25
X	WO 98 05401 A (BRITA WATER FILTER SYST LTD ;ROBINSON THOMAS (GB)) 12 February 1998 (1998-02-12) figures 2,4,7	22-25
A	EP 0 815 918 A (KNECHT FILTERWERKE GMBH) 7 January 1998 (1998-01-07) figures	
A	US 4 714 486 A (SILVERTHORN GIDEON C) 22 December 1987 (1987-12-22) cited in the application the whole document	

Further documents are listed in the continuation of box C.

Patent family members are listed in annex.

° Special categories of cited documents :

- \*A\* document defining the general state of the art which is not considered to be of particular relevance
- \*E\* earlier document but published on or after the international filing date
- \*L\* document which may throw doubts on priority claim(s) or which is cited to establish the publication date of another citation or other special reason (as specified)
- \*O\* document referring to an oral disclosure, use, exhibition or other means
- \*P\* document published prior to the international filing date but later than the priority date claimed

- \*T\* later document published after the international filing date or priority date and not in conflict with the application but cited to understand the principle or theory underlying the invention
- \*X\* document of particular relevance; the claimed invention cannot be considered novel or cannot be considered to involve an inventive step when the document is taken alone
- \*Y\* document of particular relevance; the claimed invention cannot be considered to involve an inventive step when the document is combined with one or more other such documents, such combination being obvious to a person skilled in the art.
- \*&\* document member of the same patent family

Date of the actual completion of the international search

6 June 2003

Date of mailing of the international search report

17/06/2003

Name and mailing address of the ISA

European Patent Office, P.B. 5818 Patentlaan 2  
NL - 2280 HV Rijswijk  
Tel. (+31-70) 340-2040, Tx. 31 651 epo nl.  
Fax: (+31-70) 340-3016

Authorized officer

Gruber, M

## INTERNATIONAL SEARCH REPORT

Information on patent family members

International Application No

PCT/US 01/51336

Patent document cited in search report		Publication date	Patent family member(s)	Publication date
US 4850346	A	25-07-1989	US 4934361 A	19-06-1990
WO 9805401	A	12-02-1998	DE 19631687 A1	12-02-1998
			DE 19632538 A1	12-03-1998
			AT 236697 T	15-04-2003
			AU 734405 B2	14-06-2001
			AU 3236097 A	12-02-1998
			AU 3780597 A	25-02-1998
			BG 103230 A	30-09-1999
			BR 9704262 A	22-09-1998
			CA 2211221 A1	06-02-1998
			CZ 9900436 A3	15-09-1999
			DE 59709756 D1	15-05-2003
			EE 9900126 A	15-12-1999
			EP 0823276 A1	11-02-1998
			EP 0917488 A1	26-05-1999
			WO 9805401 A1	12-02-1998
			JP 10076253 A	24-03-1998
			NO 973599 A	09-02-1998
			NO 990586 A	15-03-1999
			NZ 328495 A	27-04-1998
			PL 331600 A1	02-08-1999
			SG 53016 A1	28-09-1998
			SK 16699 A3	14-02-2000
			TR 9900482 T2	21-05-1999
			US 5980743 A	09-11-1999
			ZA 9706802 A	11-02-1998
			AT 236696 T	15-04-2003
			AU 730330 B2	01-03-2001
			AU 3412997 A	19-02-1998
			BR 9704341 A	09-02-1999
			CA 2211252 A1	13-02-1998
			CN 1180581 A	06-05-1998
			DE 59709757 D1	15-05-2003
			EP 0824033 A1	18-02-1998
			IL 121419 A	01-06-2000
			JP 10076111 A	24-03-1998
			NO 973703 A	16-02-1998
			NZ 328496 A	27-04-1998
			SG 65001 A1	25-05-1999
			TW 410168 B	01-11-2000
			US 6099728 A	08-08-2000
			ZA 9706801 A	31-08-1998
EP 0815918	A	07-01-1998	DE 19625443 A1	02-01-1998
			DE 59700123 D1	12-05-1999
			EP 0815918 A2	07-01-1998
			ES 2131978 T3	01-08-1999
US 4714486	A	22-12-1987	CA 1264681 A1	23-01-1990