



US00D739828S

(12) **United States Design Patent**
Becker

(10) **Patent No.:** **US D739,828 S**

(45) **Date of Patent:** **** Sep. 29, 2015**

(54) **ELECTRONIC RELAY HOUSING**

(56) **References Cited**

(71) Applicant: **Phoenix Contact GmbH & Co. KG**,
Blomberg (DE)

U.S. PATENT DOCUMENTS

(72) Inventor: **Markus Becker**, Paderborn (DE)

D355,887 S	2/1995	Rodeffer et al.	
D358,365 S	5/1995	Rodeffer et al.	
D368,251 S	3/1996	Mahajan et al.	
D392,257 S	3/1998	Lecheler et al.	
D398,901 S	9/1998	Roman	
D425,017 S	5/2000	Leung	
D427,587 S	7/2000	Jacobsen et al.	
D466,486 S	12/2002	Gillingham et al.	
D516,445 S	3/2006	DiPasquale	
D540,315 S	4/2007	Merrow et al.	
D573,985 S	7/2008	Jeong et al.	
D631,859 S *	2/2011	Wang	D13/184
D661,254 S	6/2012	Grünwald et al.	
D700,146 S *	2/2014	Becker	D13/159

(73) Assignee: **Phoenix Contact GmbH & Co. KG**,
Blomberg (DE)

(**) Term: **14 Years**

(21) Appl. No.: **29/479,128**

(22) Filed: **Jan. 13, 2014**

Related U.S. Application Data

(62) Division of application No. 29/434,234, filed on Oct. 11, 2012, now Pat. No. Des. 700,146.

Foreign Application Priority Data

Apr. 12, 2012 (EM) 002024372

Apr. 12, 2012 (EM) 002024372-0001

(51) **LOC (10) Cl.** **13-03**

(52) **U.S. Cl.**
USPC **D13/159**

(58) **Field of Classification Search**

USPC D13/110, 123, 146, 147, 151, 153, 154,
D13/158-164, 171, 174, 184, 199;
D14/240, 356-358, 434; 200/43.14,
200/50.01, 50.21-50.23; 361/42, 44, 50,
361/71, 115, 608, 622, 627, 628, 634, 690;
439/532, 536, 540.1, 541.5, 613, 614,
439/884, 894, 895

CPC H01H 13/705; H01H 13/88; H01H
2011/0087; H01H 2205/016; H01H 2221/05;
H01H 2227/016; H01H 2227/026; H01H
2229/02; H01H 2229/036; H01H 13/04;
H01H 13/48; H01H 1/58; H01T 13/34;
H02H 9/02

See application file for complete search history.

* cited by examiner

Primary Examiner — Thomas Johannes

Assistant Examiner — Shawn T Gingrich

(74) *Attorney, Agent, or Firm* — Roberts Mlotkowski;
Safran & Cole, P.C.; David S. Safran

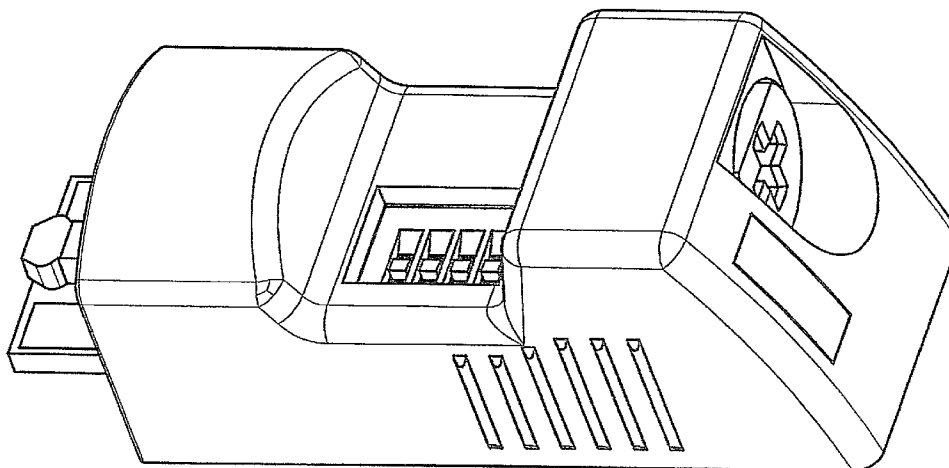
(57) **CLAIM**

The ornamental design for an electronic relay housing, as shown and described above.

DESCRIPTION

FIG. 1 is a top right perspective view of the design of the electronic relay housing in accordance with my design.
FIG. 2 is a right side elevation view thereof.
FIG. 3 is a rear elevation view thereof.
FIG. 4 is a left side elevation view thereof.
FIG. 5 is a front elevation view thereof.
FIG. 6 is a top plan view thereof; and,
FIG. 7 is a bottom plan view thereof.
The broken line portion of the figure drawings is included to show unclaimed subject matter only and forms no part of the claimed design.

1 Claim, 7 Drawing Sheets



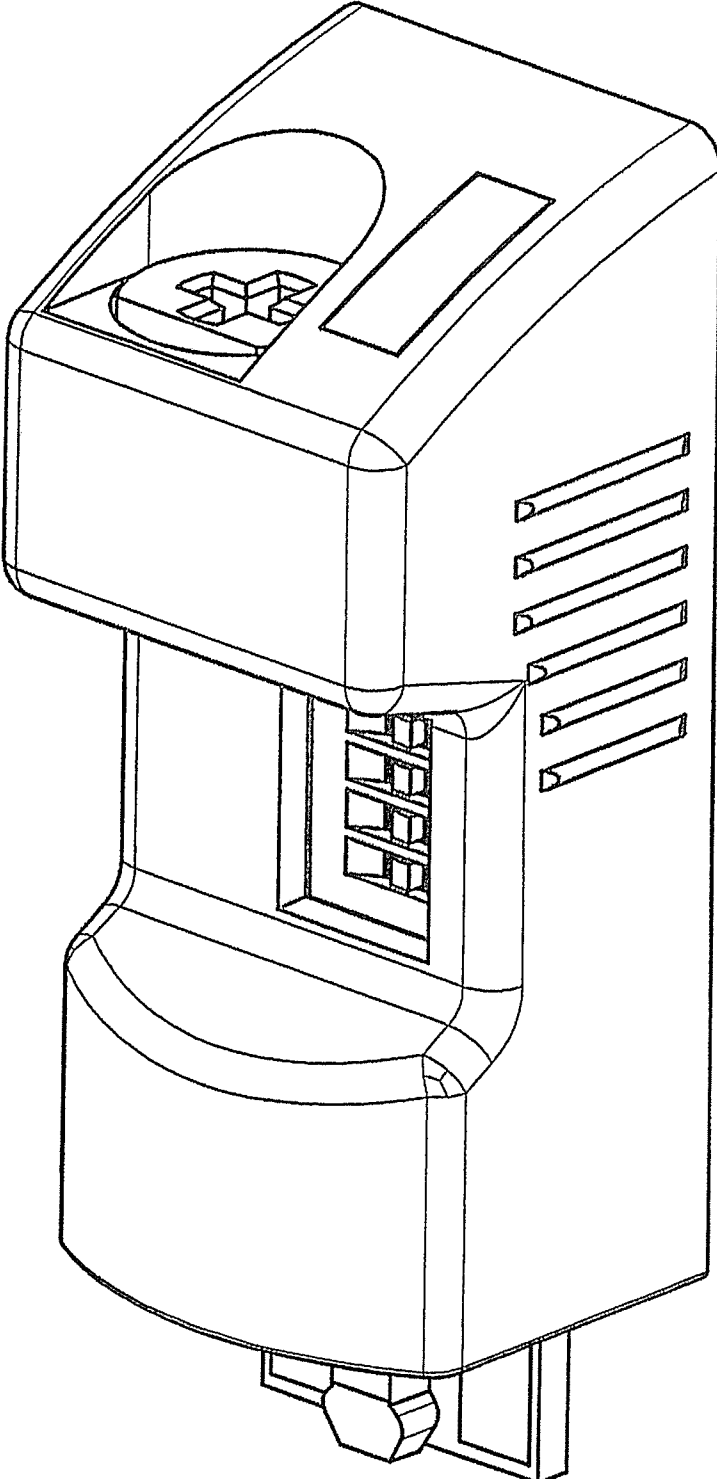


Fig. 1

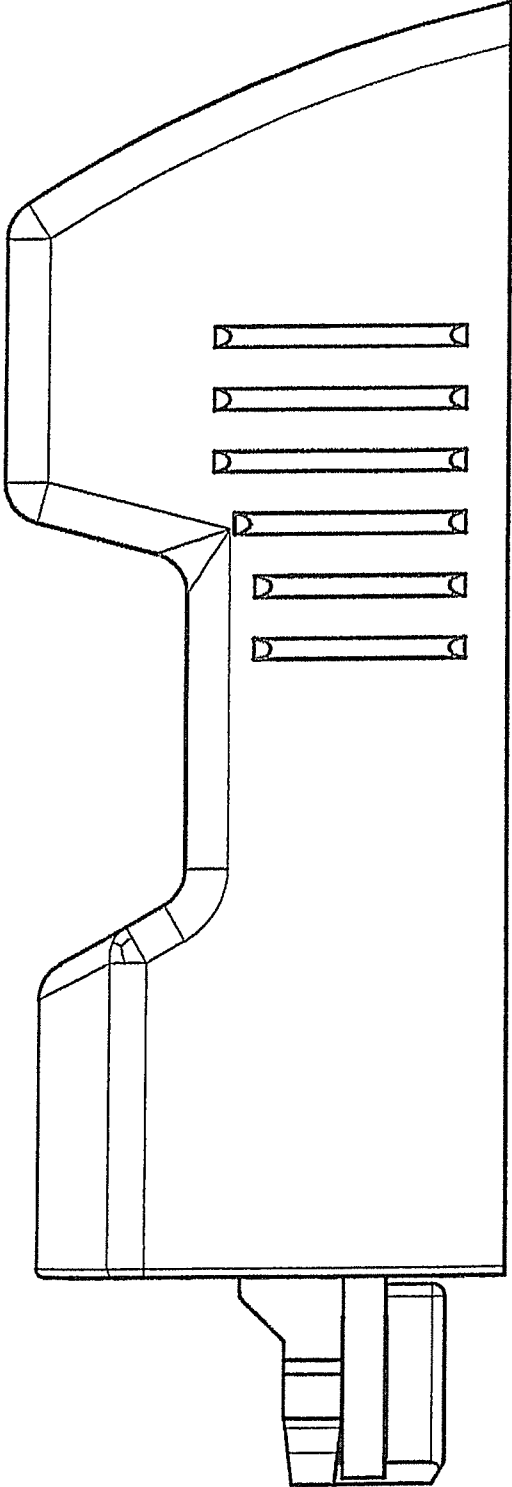


Fig. 2

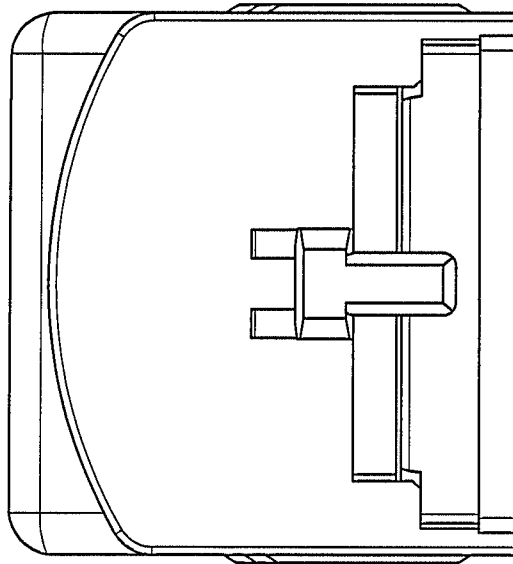


Fig. 3

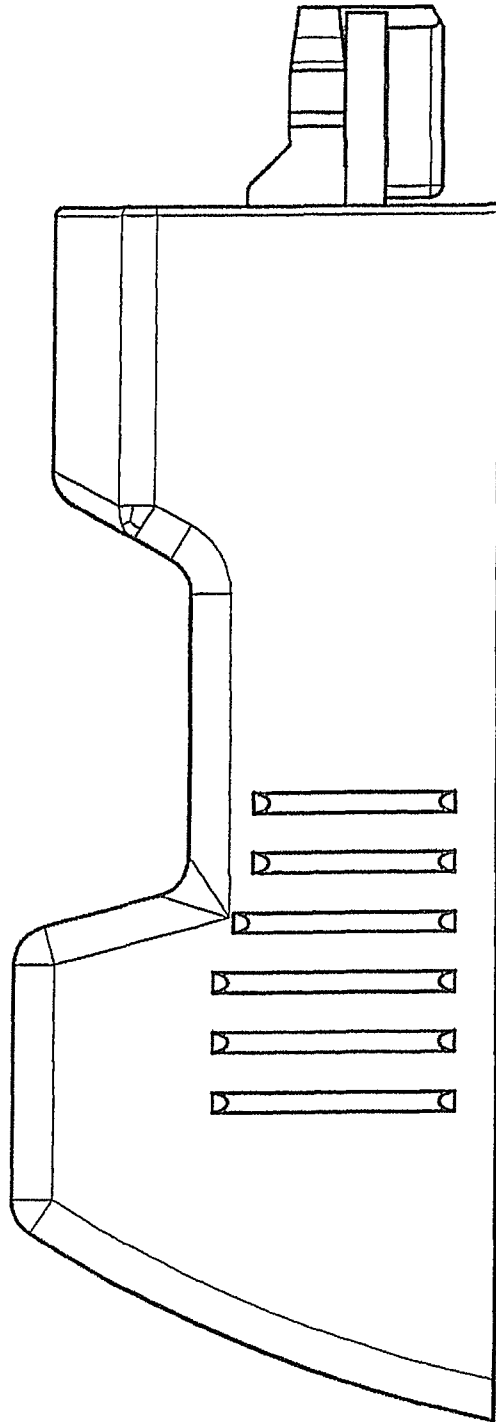


Fig. 4

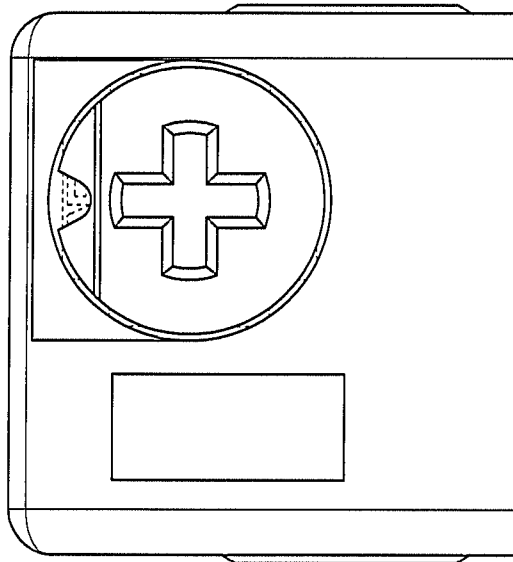


Fig. 5

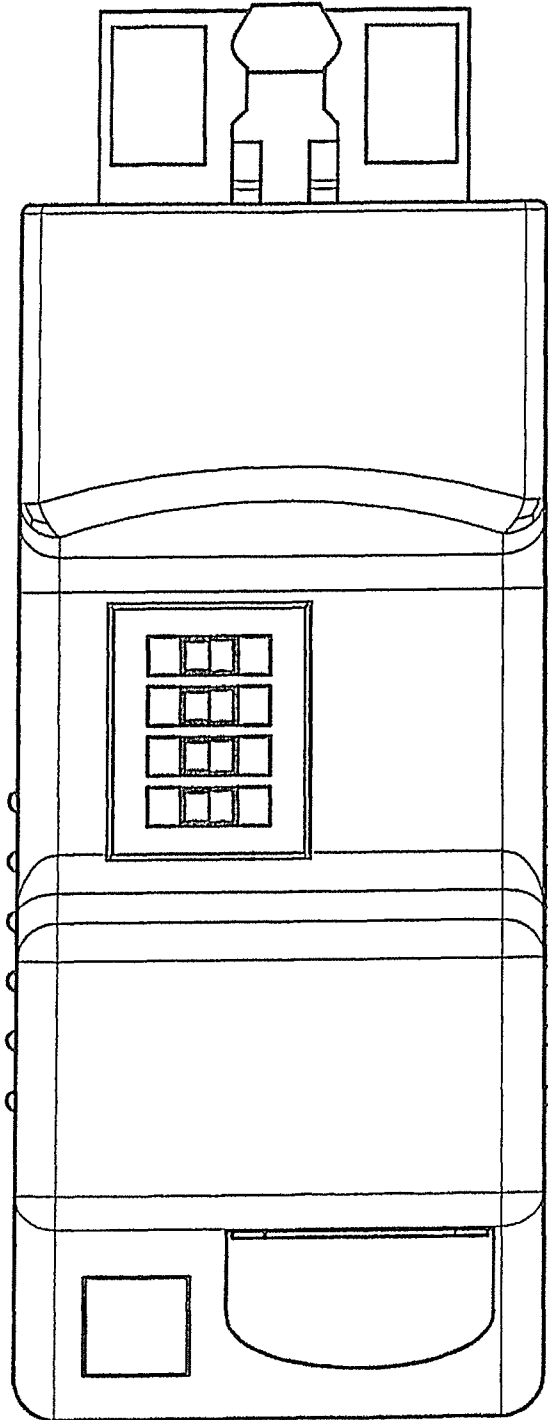


Fig. 6

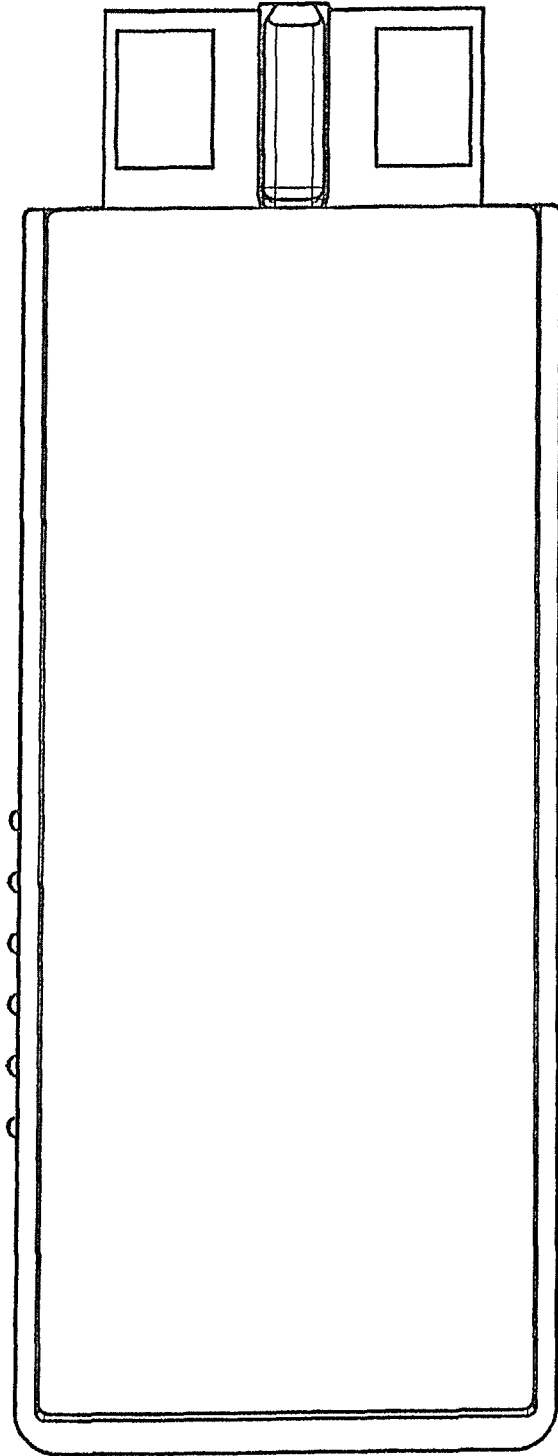


Fig. 7