



US00D802490S

(12) **United States Design Patent**
McFarland

(10) **Patent No.:** **US D802,490 S**

(45) **Date of Patent:** **** Nov. 14, 2017**

(54) **STOWABLE HITCH RECEIVER WITH PAD**

(71) Applicant: **Gary McFarland**, Santa Fe, TX (US)

(72) Inventor: **Gary McFarland**, Santa Fe, TX (US)

(**) Term: **15 Years**

(21) Appl. No.: **29/554,252**

(22) Filed: **Feb. 9, 2016**

D771,526 S * 11/2016 Baron D12/162
D784,863 S * 4/2017 Rotenberg D12/162
2014/0000327 A1* 1/2014 Madruga E05B 65/0089
70/466

* cited by examiner

Primary Examiner — Katrina A Betton

(74) *Attorney, Agent, or Firm* — Kenneth A. Roddy

(57) **CLAIM**

The ornamental design for a stowable hitch receiver with pad, as shown and described.

Related U.S. Application Data

(63) Continuation-in-part of application No. 29/498,869, filed on Aug. 8, 2014, now Pat. No. Des. 749,020.

(51) **LOC (10) CL.** **12-16**

(52) **U.S. CL.**
USPC **D12/162**

(58) **Field of Classification Search**
USPC D12/162, 161, 160, 159
CPC . B60D 1/60; B60D 1/065; B60D 1/00; B60D 1/06
See application file for complete search history.

(56) **References Cited**

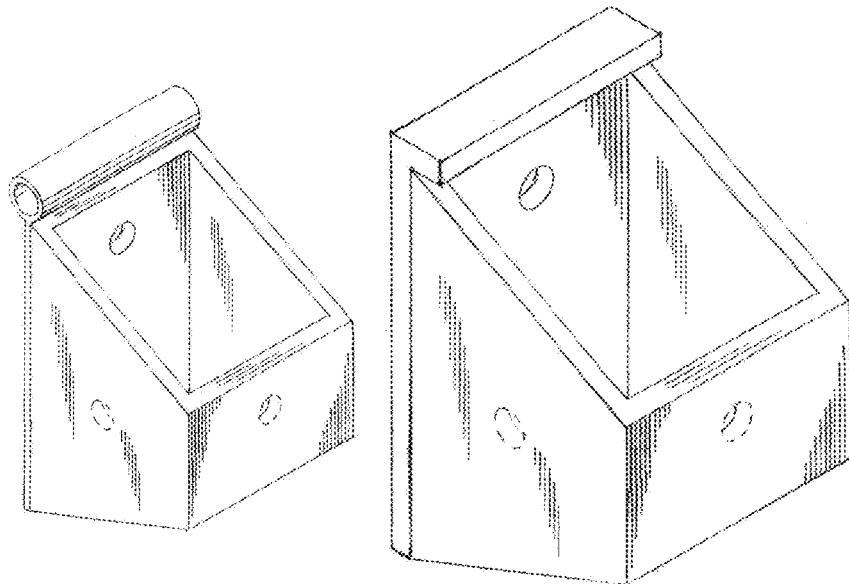
U.S. PATENT DOCUMENTS

5,775,139 A * 7/1998 Sellers B60D 1/60
280/507
6,406,052 B1 * 6/2002 Bale B60D 1/06
280/507
D480,338 S * 10/2003 Harwood D12/162
7,107,799 B1 * 9/2006 Marley B60D 1/60
280/507
D618,598 S * 6/2010 Edwards D12/162
D698,285 S * 1/2014 Mason D12/162
D743,307 S * 11/2015 Bale B60D 1/60
D12/162
D749,020 S * 2/2016 McFarland D12/162

DESCRIPTION

FIG. 1 is a perspective view of a stowable hitch receiver with pad in accordance with a first embodiment, showing my new design from the front, top and left hand side;
FIG. 2 is a perspective view thereof showing my new design from the rear, bottom, and right hand side;
FIG. 3 is a front elevation view thereof;
FIG. 4 is a left side elevation view thereof;
FIG. 5 is a right side elevation view thereof;
FIG. 6 is a top plan view thereof;
FIG. 7 is a bottom plan view thereof;
FIG. 8 is a perspective view of a stowable hitch receiver with pad in accordance with a second embodiment, showing my new design from the front, top and left hand side;
FIG. 9 is a perspective view thereof showing my new design from the rear, bottom, and right hand side;
FIG. 10 is a front elevation view thereof;
FIG. 11 is a left side elevation view thereof;
FIG. 12 is a right side elevation view thereof;
FIG. 13 is a top plan view thereof; and,
FIG. 14 is a bottom plan view thereof.
The dashed lines showing the location of holes forms no part of the claimed design.

1 Claim, 6 Drawing Sheets



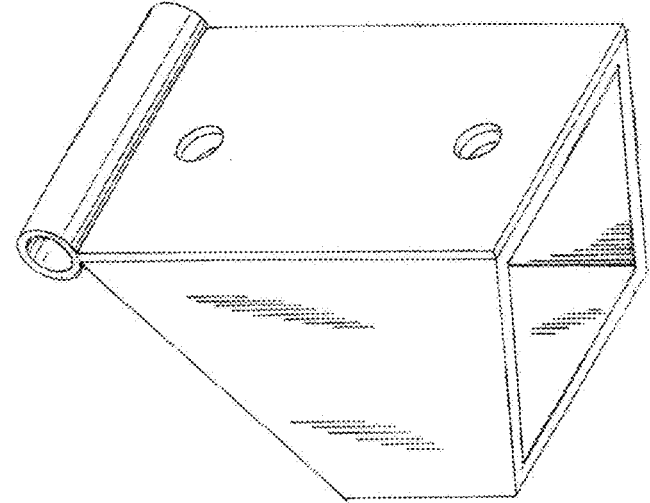


Fig. 2

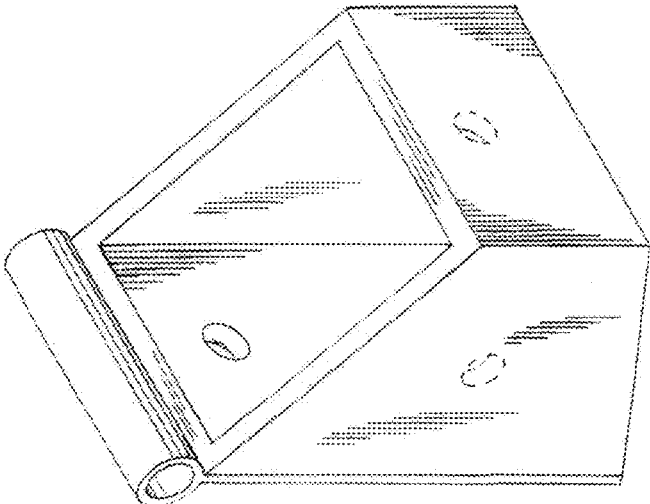


Fig. 1

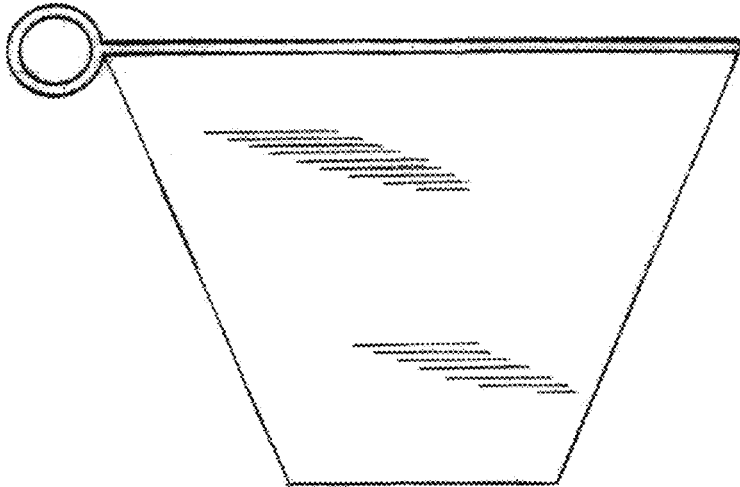


Fig. 5

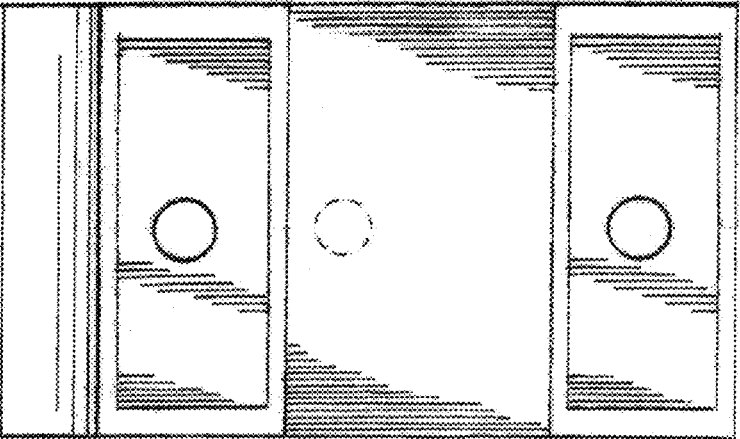


Fig. 3

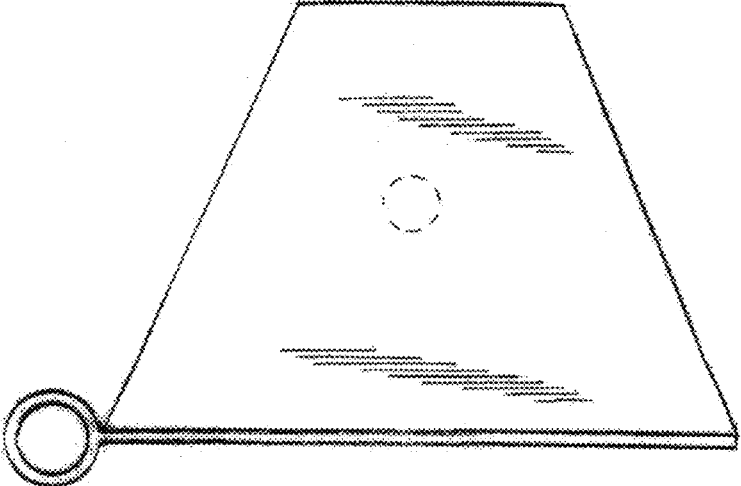


Fig. 4

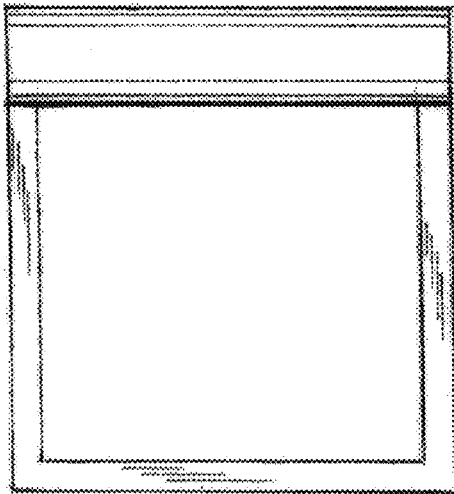


Fig. 6

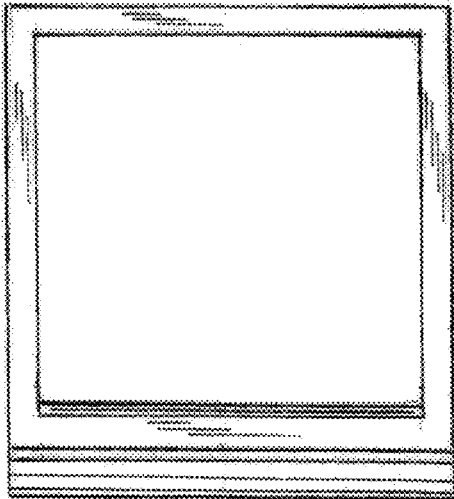


Fig. 7

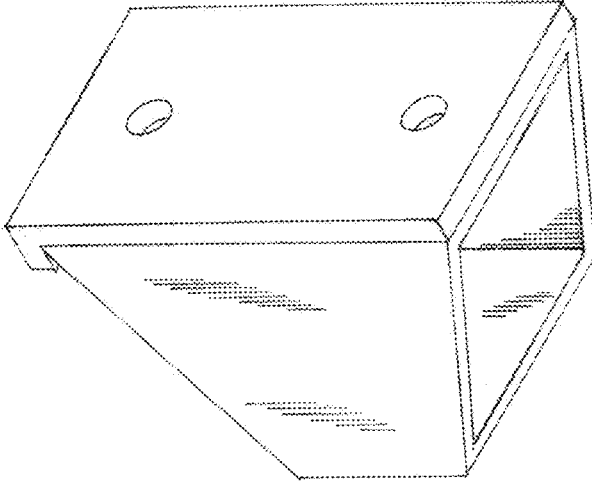


Fig. 9

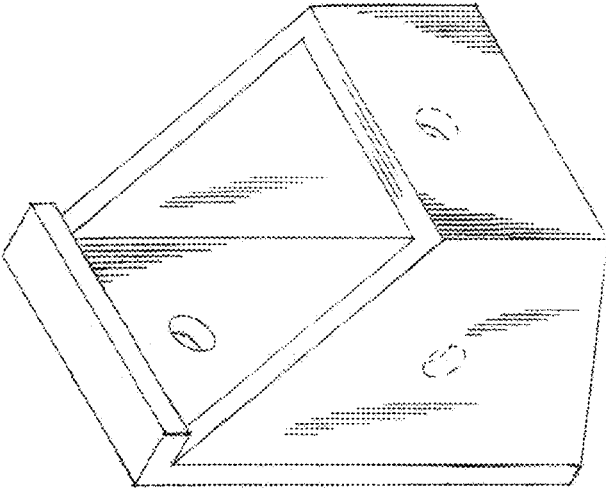


Fig. 8

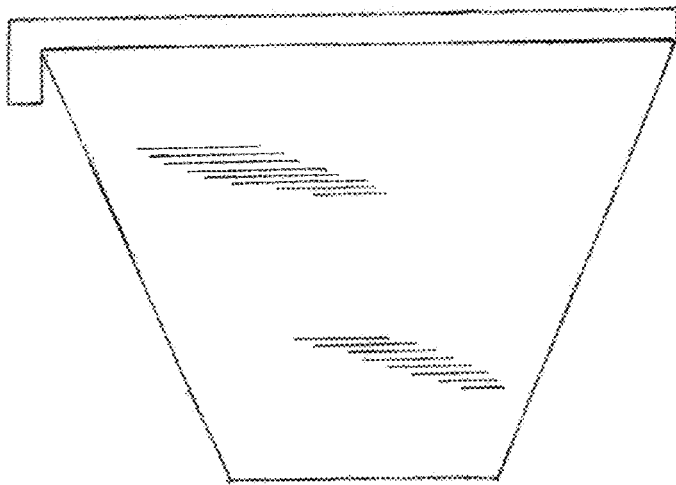


Fig. 12

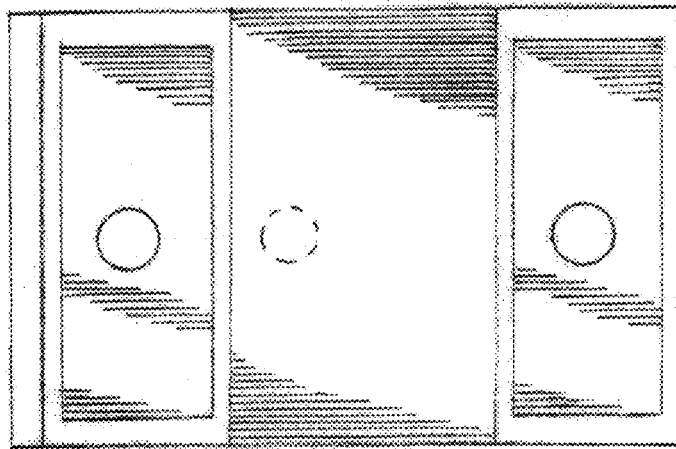


Fig. 10

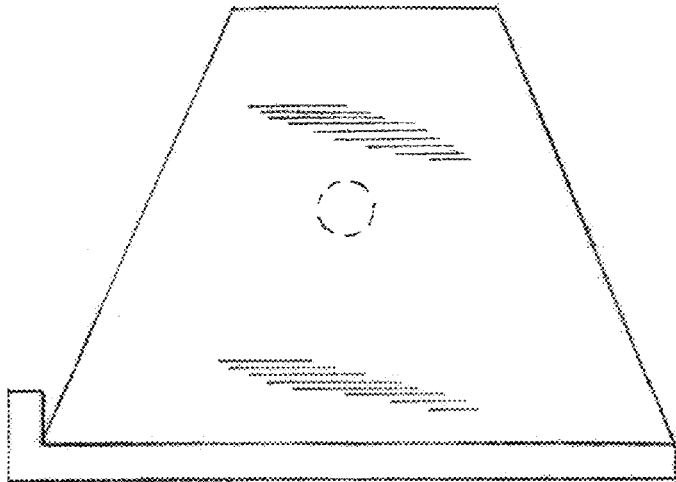


Fig. 11

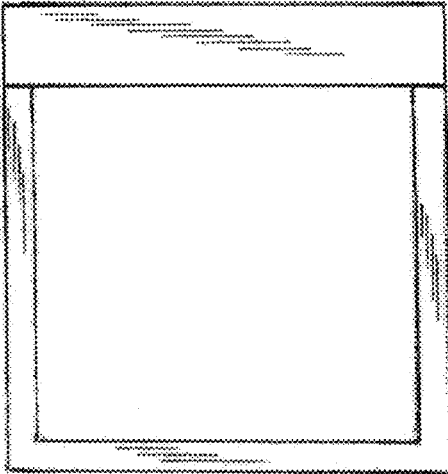


Fig. 13

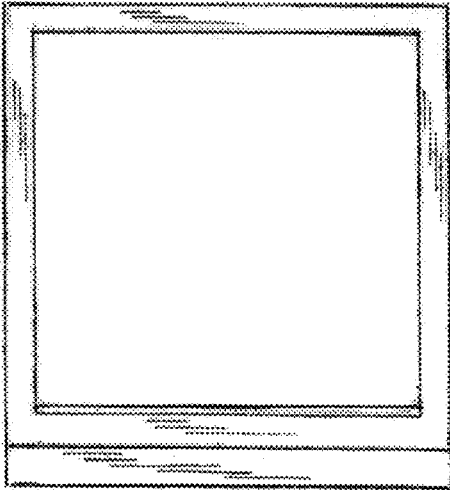


Fig. 14