



US00D711499S

(12) **United States Design Patent**  
**Kielian et al.**

(10) **Patent No.:** **US D711,499 S**

(45) **Date of Patent:** **\*\* Aug. 19, 2014**

(54) **FISH SKINNING DEVICE**

(71) Applicant: **Ultimate Fishing Gear, Inc.**, La Vista, NE (US)

(72) Inventors: **Chris Kielian**, Plattsmouth, NE (US); **Brian Kielian**, La Vista, NE (US); **Perry Parks**, Papillion, NE (US); **Eric Parks**, Papillion, NE (US)

(73) Assignee: **Ultimate Fishing Gear, Inc.**, La Vista, NE (US)

(\*\*) Term: **14 Years**

(21) Appl. No.: **29/473,332**

(22) Filed: **Nov. 21, 2013**

(51) **LOC (10) Cl.** ..... **22-05**

(52) **U.S. Cl.** ..... **D22/149**  
USPC

(58) **Field of Classification Search**  
CPC ..... A22B 5/16; A22C 25/00; A22C 25/006; A22C 25/14; A22C 25/16; A22C 25/08  
USPC ..... D22/149, 134, 199; 452/132-133, 125, 452/128; 99/591  
See application file for complete search history.

(56) **References Cited**

**U.S. PATENT DOCUMENTS**

D222,179 S \* 10/1971 Beasley ..... D7/694  
3,683,456 A \* 8/1972 Beasley ..... 452/132

4,186,461 A \* 2/1980 Leining ..... 452/133  
4,635,319 A \* 1/1987 Gast ..... 452/128  
5,033,987 A \* 7/1991 Bloch ..... 452/132  
D369,202 S \* 4/1996 Jackson ..... D22/149  
D457,220 S \* 5/2002 Huckaba ..... D22/149

\* cited by examiner

*Primary Examiner* — Catheri Oliver-Garcia  
(74) *Attorney, Agent, or Firm* — Advent, LLP

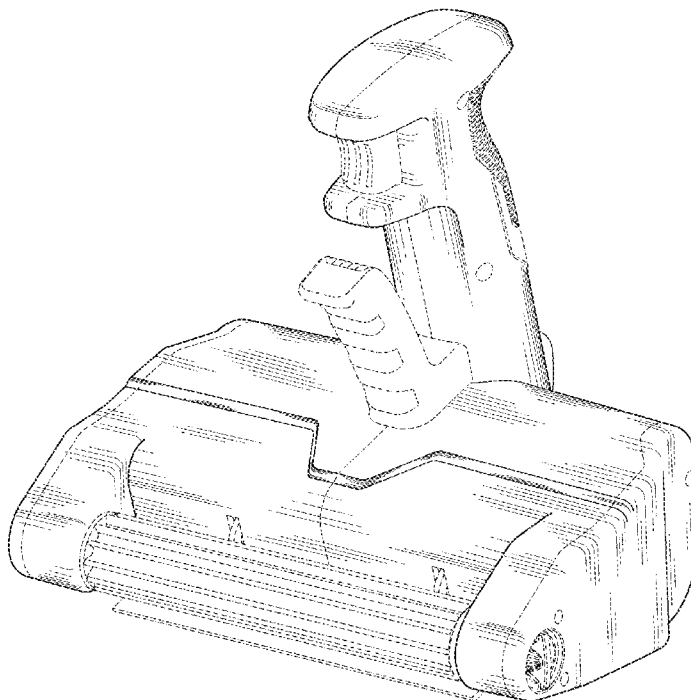
(57) **CLAIM**

The ornamental design for a fish skinning device, as shown and described.

**DESCRIPTION**

FIG. 1 is a first isometric view of a fish skinning device. FIG. 2 is a first end elevation view of the fish skinning device of FIG. 1. FIG. 3 is a second end elevation view of the fish skinning device of FIG. 1. FIG. 4 is a first side elevation view of the fish skinning device of FIG. 1. FIG. 5 is a second side elevation view of the fish skinning device of FIG. 1. FIG. 6 is a top plan view of the fish skinning device of FIG. 1. FIG. 7 is a bottom plan view of the fish skinning device of FIG. 1; and, FIG. 8 is a second isometric view of the fish skinning device of FIG. 1. Portions of FIGS. 1 through 8 are shown in broken lines for illustrative purposes only and form no part of the claimed design.

**1 Claim, 8 Drawing Sheets**



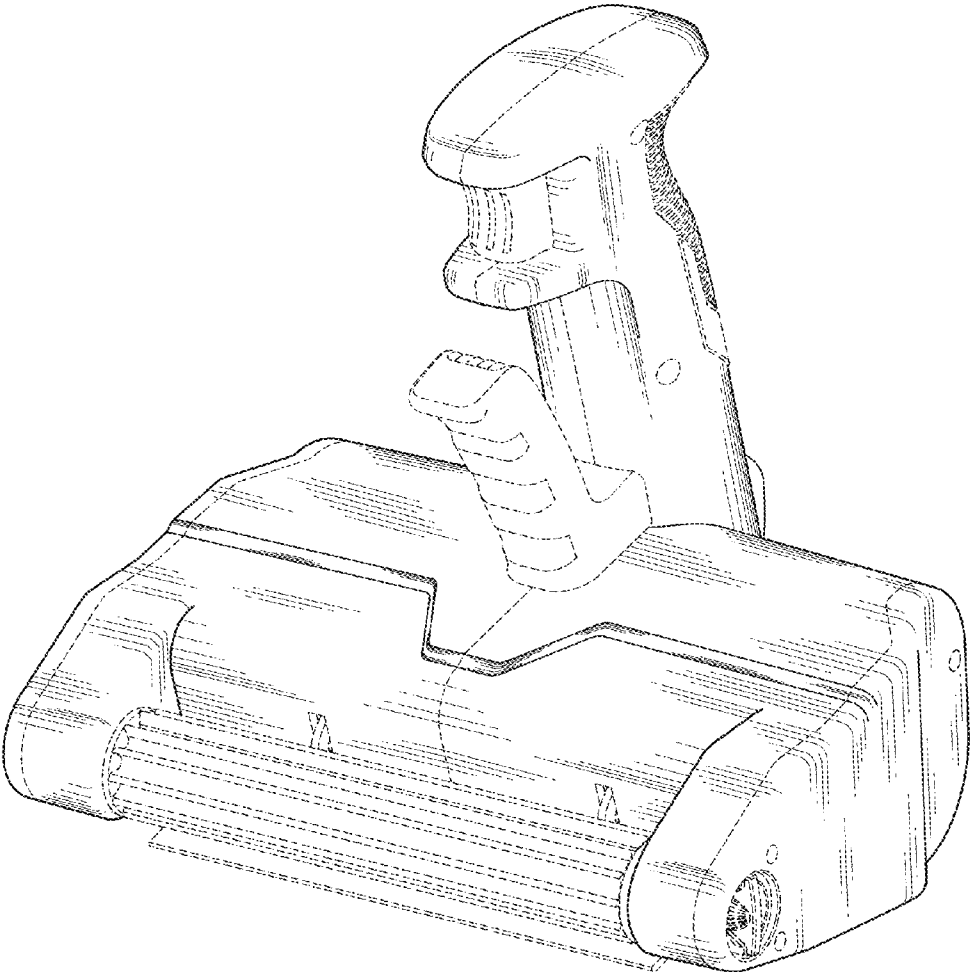


FIG. 1

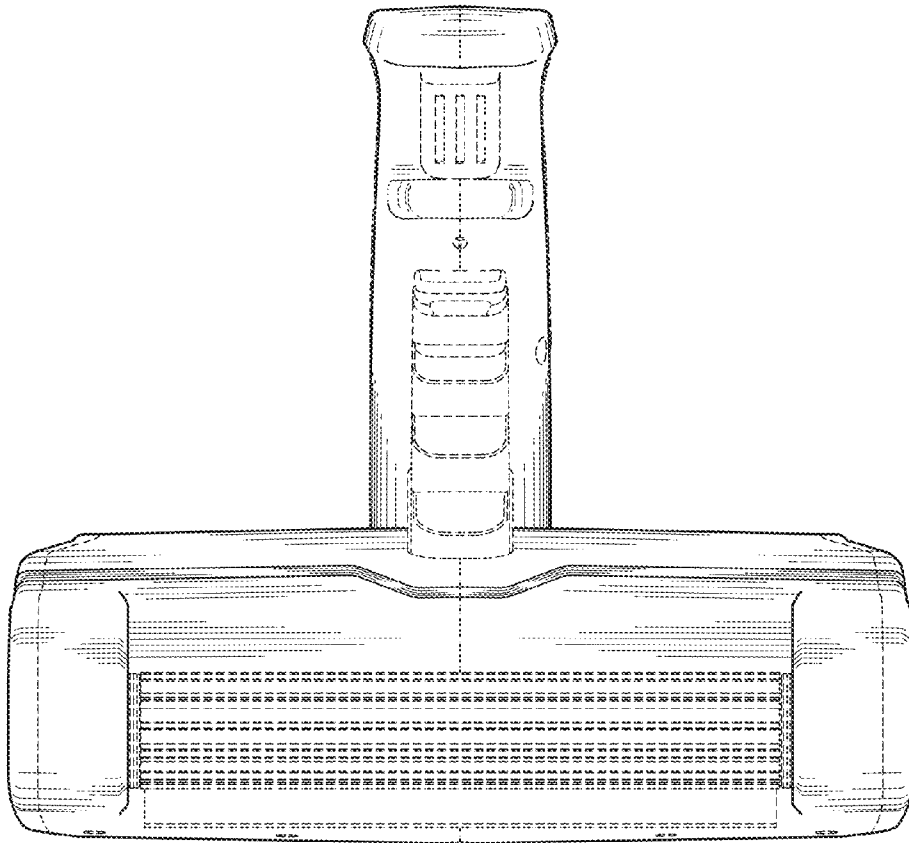


FIG. 2

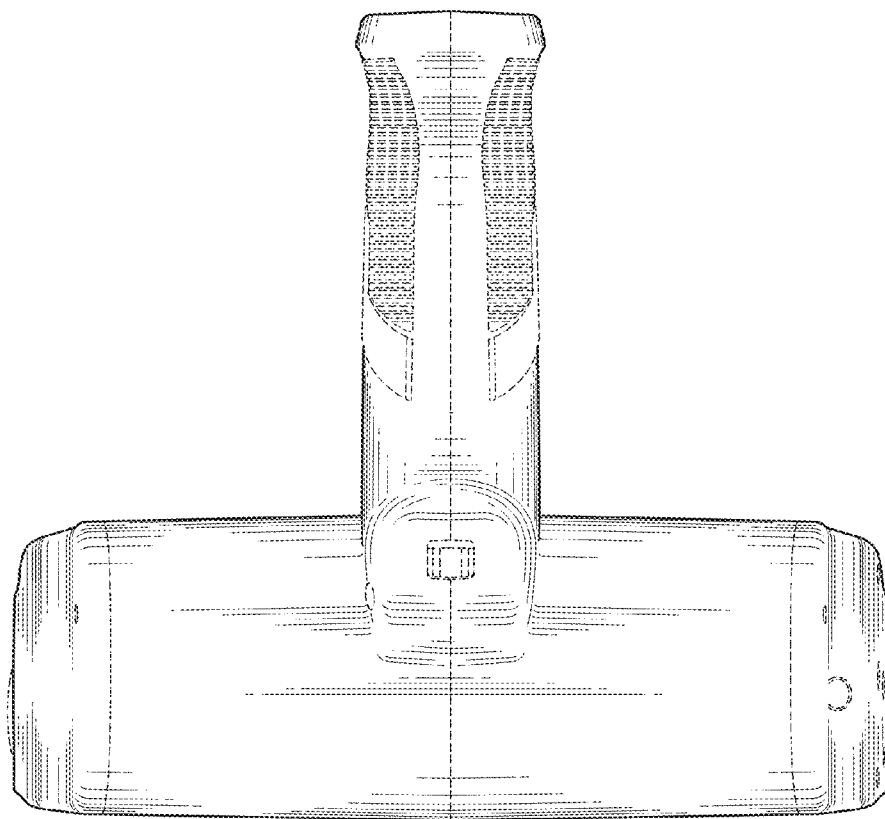


FIG. 3

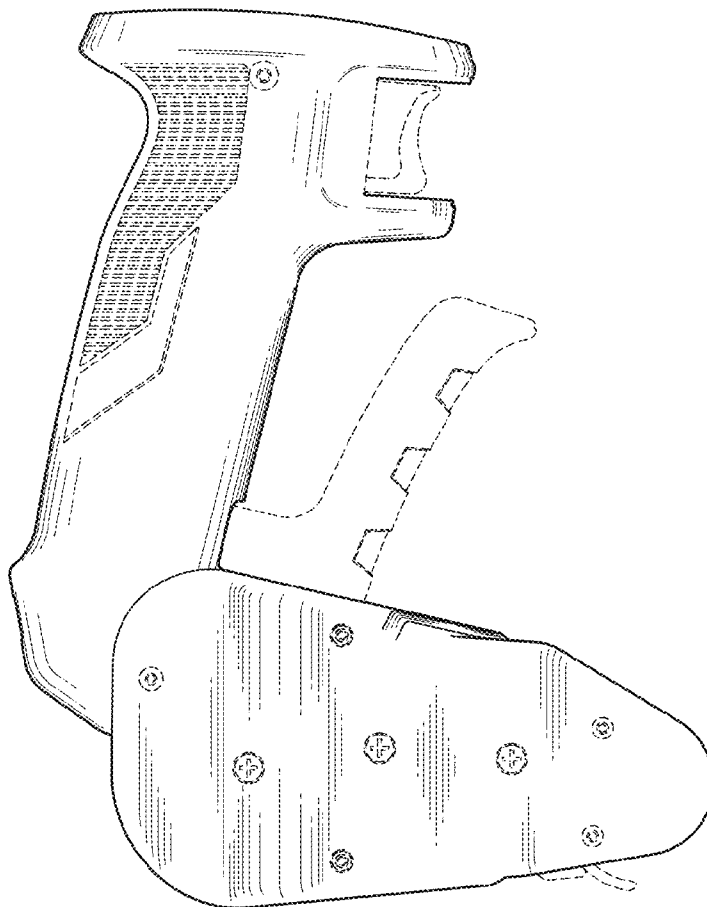


FIG. 4

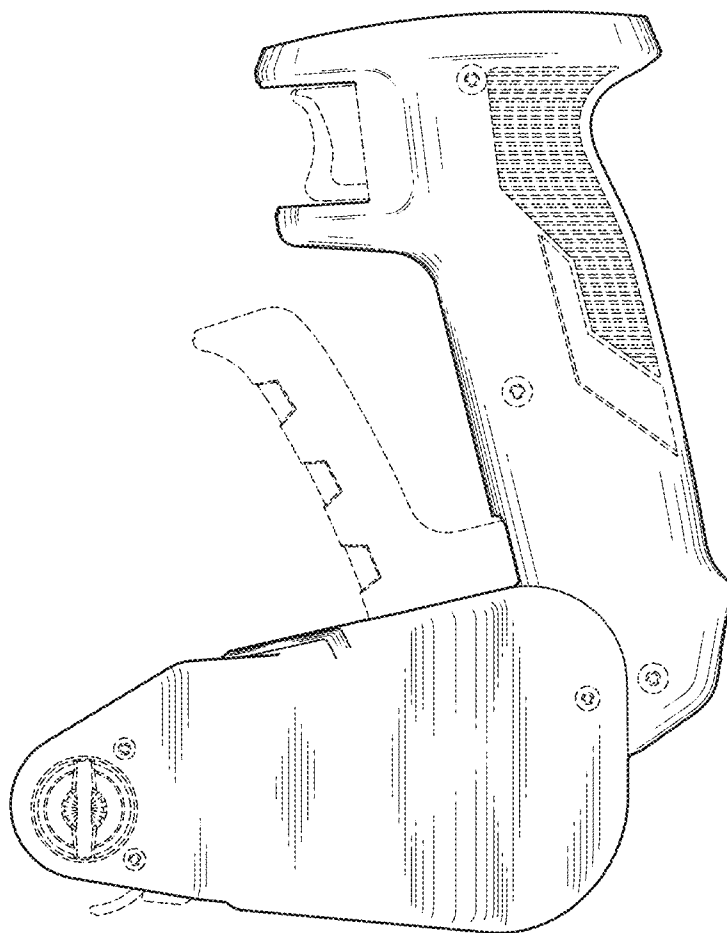


FIG. 5

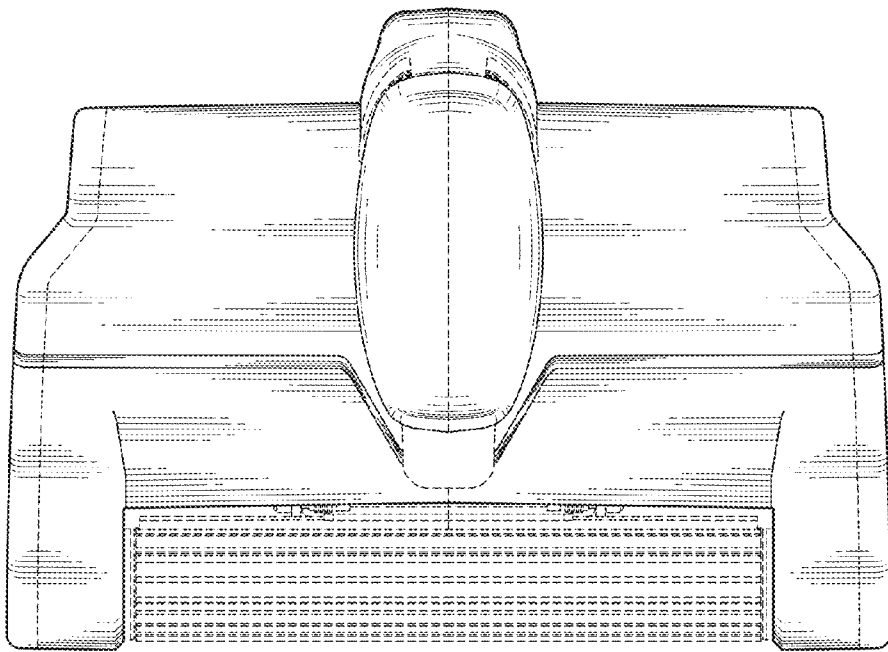


FIG. 6

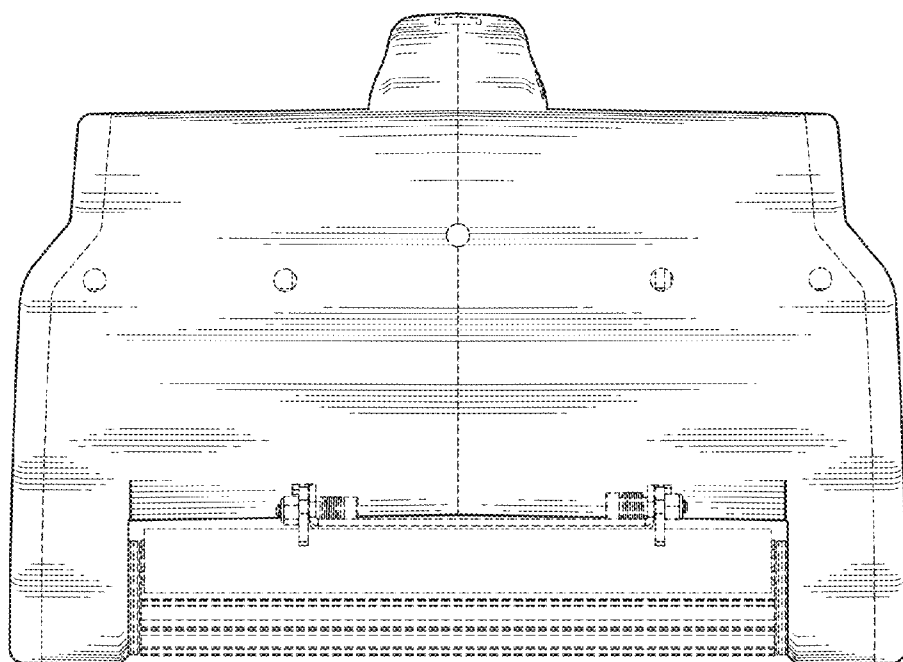


FIG. 7

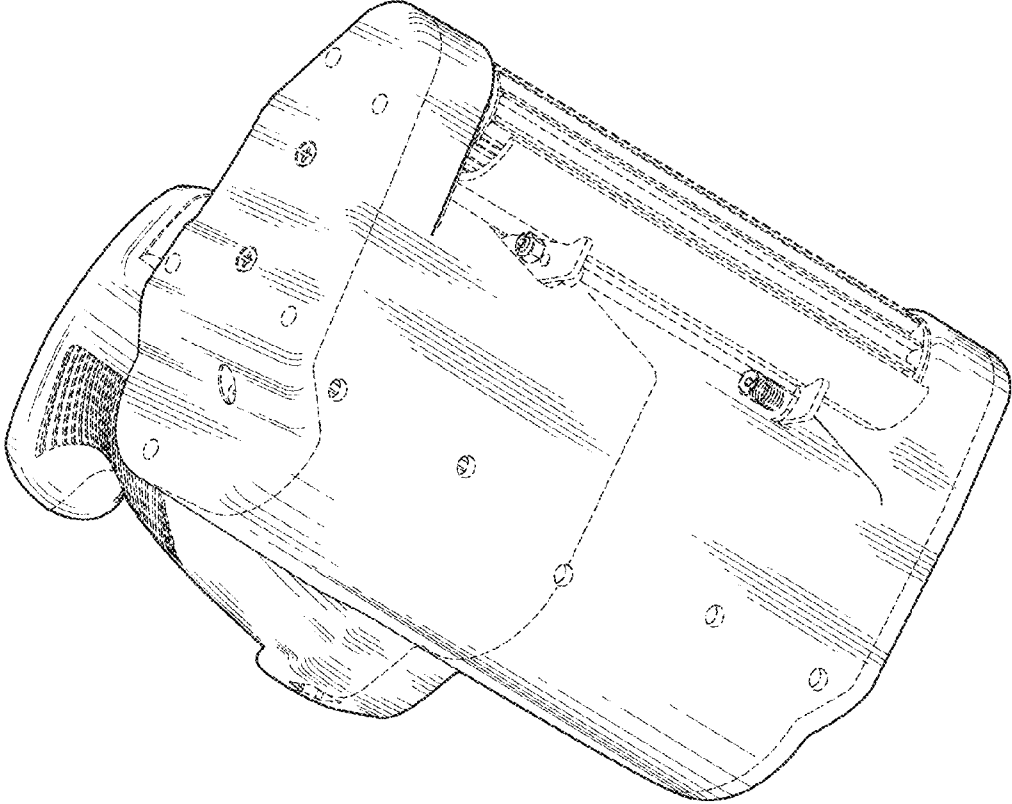


FIG. 8