

- [54] **AUTOMATIC TELEPHONE DIALER**
- [75] **Inventors:** Gregory F. Fossella, Marshfield;
Peter K. Rhoads, Stow, both of Mass.
- [73] **Assignee:** DASA Corporation, Andover, Mass.
- [**] **Term:** 14 Years
- [21] **Appl. No.:** 609,661
- [22] **Filed:** Sept. 2, 1975
- [51] **Int. Cl.** D14-03
- [52] **U.S. Cl.** D14/53
- [58] **Field of Search** 179/90 BB, 90 B, 90 BD,
179/178, 177, 100 D; D26/5 C, 14 A; D64/11
B; D14/53

| | | | |
|------------|---------|--------------------|------------|
| 3,940,573 | 2/1976 | Healy et al. | 179/90 BB |
| D. 196,118 | 8/1963 | Eriksson | D26/14 A |
| D. 196,434 | 10/1963 | Kobler et al. | D26/14 A |
| D. 202,234 | 9/1965 | McLarty | D26/14 A X |
| D. 203,679 | 2/1966 | Burlin et al. | D26/14 A |

Primary Examiner—Bernard Ansher
Attorney, Agent, or Firm—Joseph Weingarten

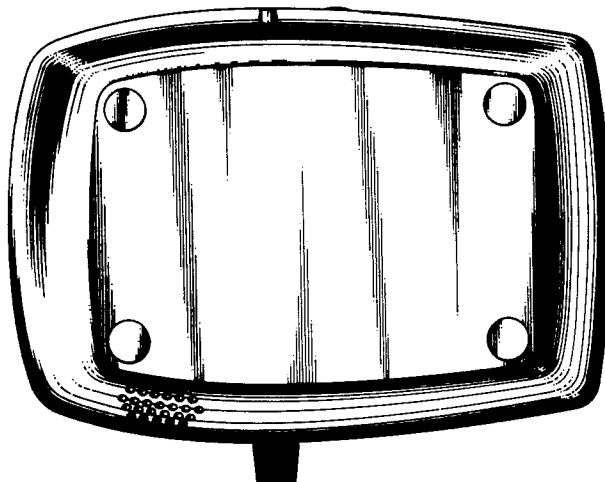
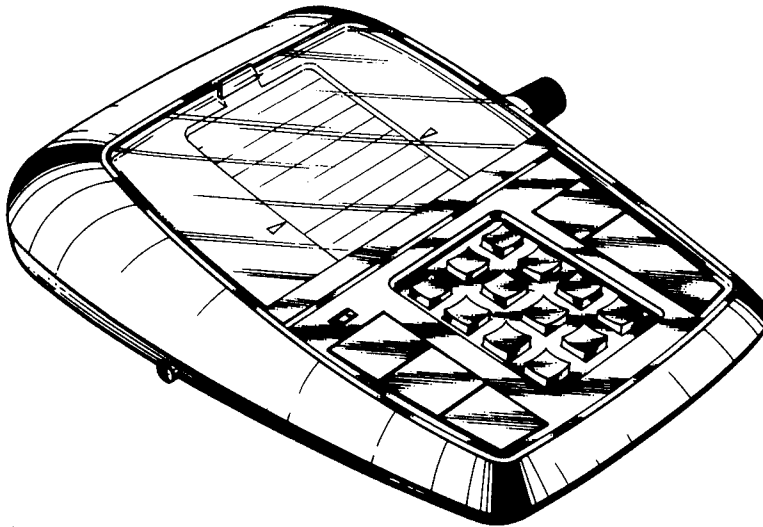
[57] **CLAIM**

The ornamental design for automatic telephone dialer, as shown.

DESCRIPTION

FIG. 1 is a perspective view of the automatic telephone dialer embodying the novel design;
 FIG. 2 is a bottom plan view of the automatic telephone dialer of FIG. 1;
 FIG. 3 is a side elevation view of the automatic telephone dialer of FIG. 1; and
 FIG. 4 is a rear perspective view of the automatic telephone dialer of FIG. 1.

- [56] **References Cited**
U.S. PATENT DOCUMENTS
3,128,351 4/1964 Hohmann, Jr. 179/90 BB



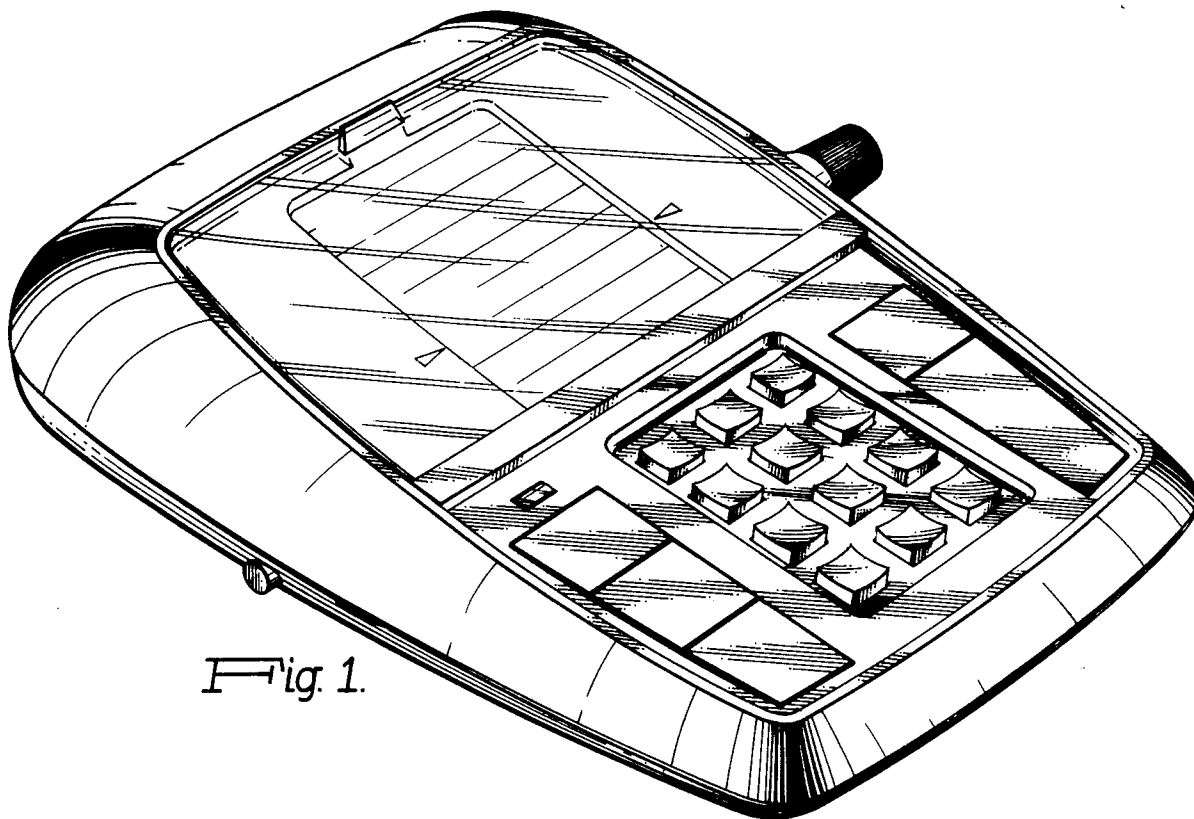


Fig. 1.

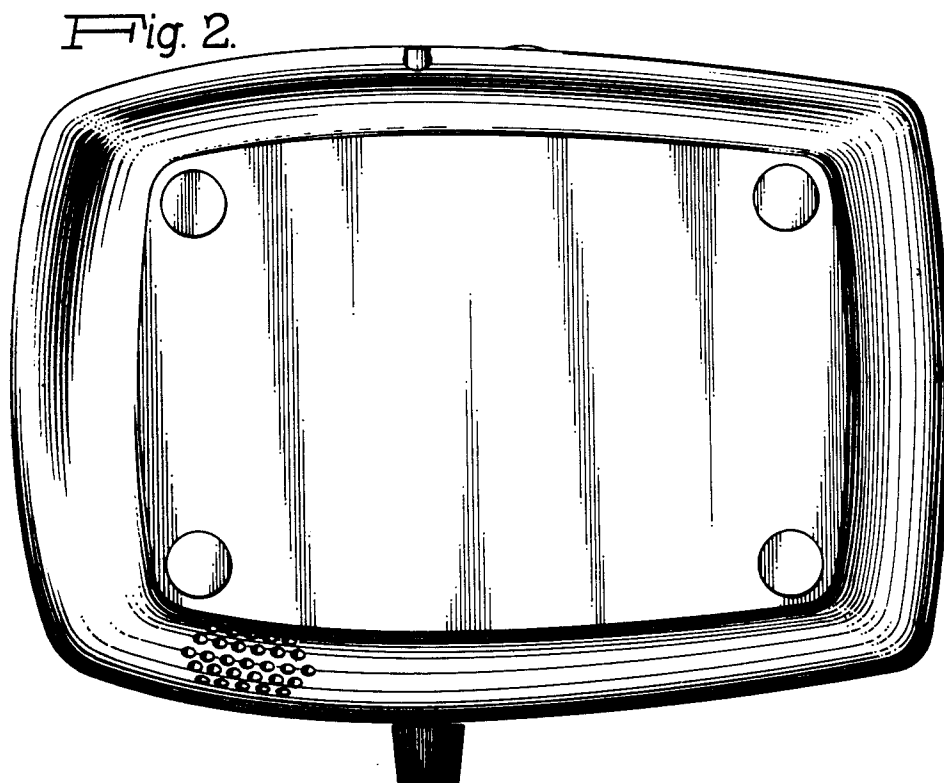


Fig. 2.

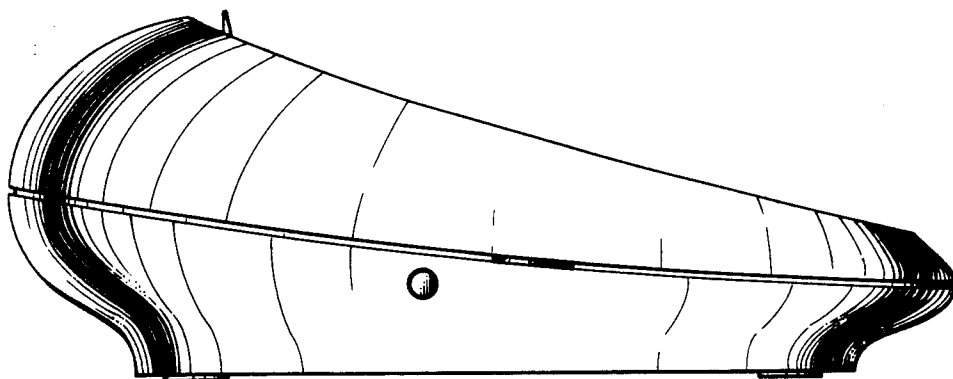


Fig. 3.

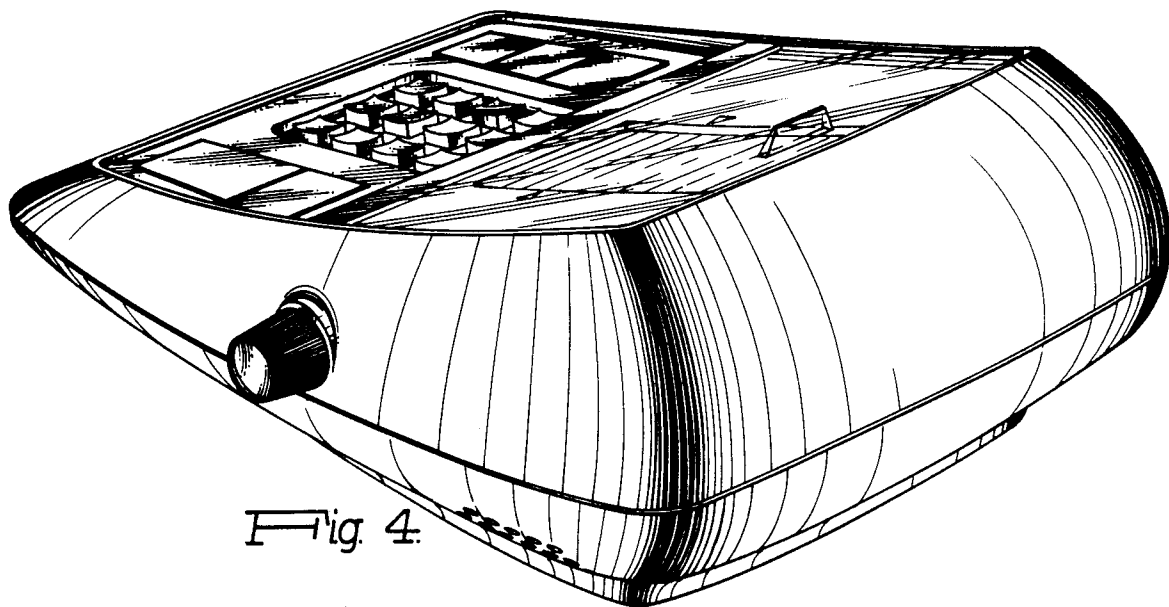


Fig. 4.