



US00D752272S

(12) **United States Design Patent**  
**Denninger et al.**

(10) **Patent No.:** **US D752,272 S**  
(45) **Date of Patent:** **\*\* Mar. 22, 2016**

(54) **ELECTRONIC COMPONENT FOR ILLUMINATION DEVICE**

D388,125 S \* 12/1997 Rath ..... D20/10  
D388,126 S \* 12/1997 Rath ..... D20/10  
5,778,582 A \* 7/1998 Rath ..... G09F 7/18  
40/611.01

(71) Applicant: **BeON Home Inc.**, Cambridge, MA (US)

(Continued)

(72) Inventors: **Michael Denninger**, Bedford, MA (US);  
**Martin Forest**, Nashua, NH (US);  
**Arvind S. Baliga**, Lexington, MA (US);  
**Alexei A. Erchak**, Cambridge, MA (US)

FOREIGN PATENT DOCUMENTS

WO WO 2014/179531 A2 11/2014

(73) Assignee: **BeON Home Inc.**, Cambridge, MA (US)

OTHER PUBLICATIONS

(\*\*) Term: **14 Years**

Simplehuman Semi-Round Step Trash Can, image post date Nov. 17, 2013, site visited Oct. 19, 2015, (online), <[http://www.amazon.com/simplehuman-Semi-Round-Trash-Stainless-Steel/dp/B001BO76WY/ref=pd\\_sim\\_201\\_6?ie=UTF8&refRID=1E21CJ97Y48S3E65HBNY&dpID=31Pa%2BaCMxhL&dpSrc=sims&preST=\\_AC\\_UL160\\_SR120%2C160\\_>](http://www.amazon.com/simplehuman-Semi-Round-Trash-Stainless-Steel/dp/B001BO76WY/ref=pd_sim_201_6?ie=UTF8&refRID=1E21CJ97Y48S3E65HBNY&dpID=31Pa%2BaCMxhL&dpSrc=sims&preST=_AC_UL160_SR120%2C160_>)\*  
(Continued)

(21) Appl. No.: **29/504,683**

(22) Filed: **Oct. 8, 2014**

(51) **LOC (10) Cl.** ..... **26-99**

(52) **U.S. Cl.**

USPC ..... **D26/113**

(58) **Field of Classification Search**

USPC ..... D10/18, 21, 24, 25, 27, 28, 46, 93, 104,  
D10/106, 113, 116.1, 121; D26/72, 118,  
D26/120, 124, 138, 2, 89, 142

CPC ..... A63H 30/04; G05G 2009/04748;  
H04B 1/1027; F21S 8/04; F21S 2/005;  
F21S 2/00; B29D 21/04; F21V 15/015;  
F21V 27/00; F21V 21/14; F21V 21/005;  
F21Y 2103/00; F41C 27/00; F41C 33/0254

See application file for complete search history.

*Primary Examiner* — Kevin Rudzinski

*Assistant Examiner* — Sean D Lough

(74) *Attorney, Agent, or Firm* — Wolf, Greenfield & Sacks, P.C.

(57)

**CLAIM**

The ornamental design for the electronic component for illumination device, as shown and described.

**DESCRIPTION**

FIG. 1 is a top, front, right side perspective view of the electronic component for illumination device showing our new design;

FIG. 2 is a front elevation view thereof;

FIG. 3 is a rear elevation view thereof;

FIG. 4 is a right side elevation view thereof;

FIG. 5 is a left side elevation view thereof;

FIG. 6 is a top plan view thereof; and,

FIG. 7 is a bottom plan view thereof.

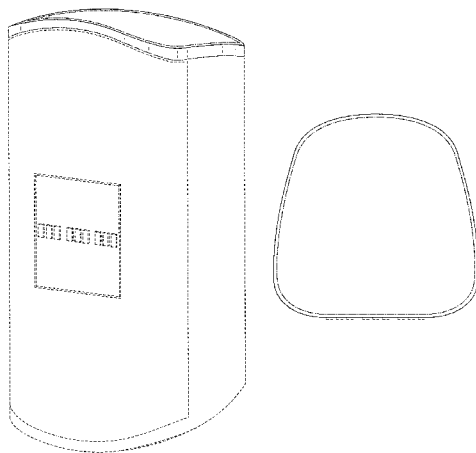
The broken lines illustrate portions of the electronic component for illumination device that form no part of the claimed design. The dash-dot-dash lines shown in the figures (including FIGS. 1-6) define boundaries of the claimed design and form no part of the claimed design.

**1 Claim, 7 Drawing Sheets**

(56) **References Cited**

U.S. PATENT DOCUMENTS

2,447,239 A \* 8/1948 Edens ..... A47D 1/10  
297/370  
D161,830 S \* 2/1951 Grossman ..... D26/128  
D183,152 S \* 7/1958 Wellhofer ..... D10/118  
3,178,569 A \* 4/1965 Martin ..... F21S 8/033  
362/296.05  
D223,546 S \* 5/1972 Gandini ..... D26/108  
D261,562 S \* 10/1981 Suzuki ..... D26/111  
4,323,820 A 4/1982 Teich  
D264,320 S \* 5/1982 Daggart ..... D10/118





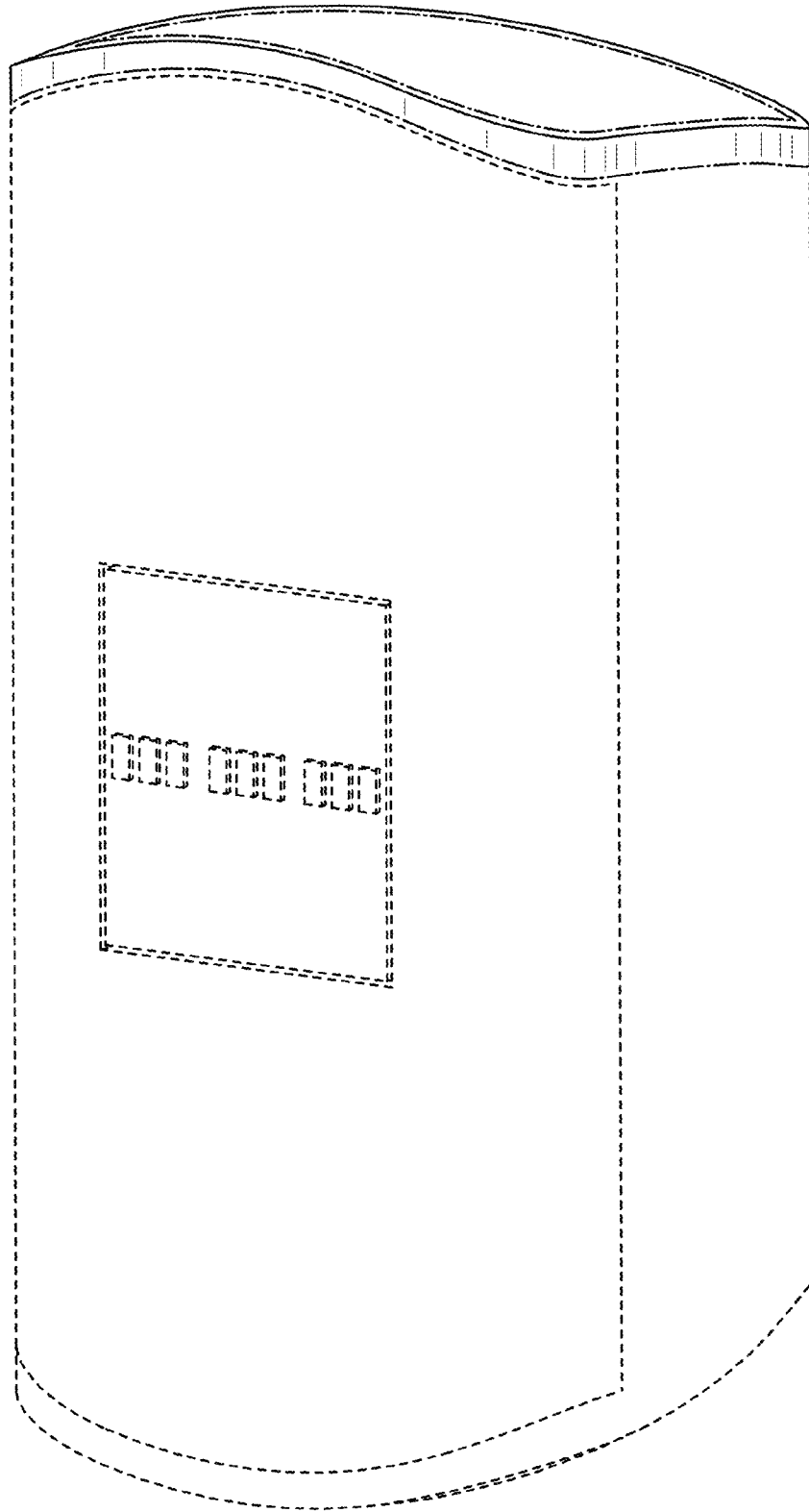


FIG. 1

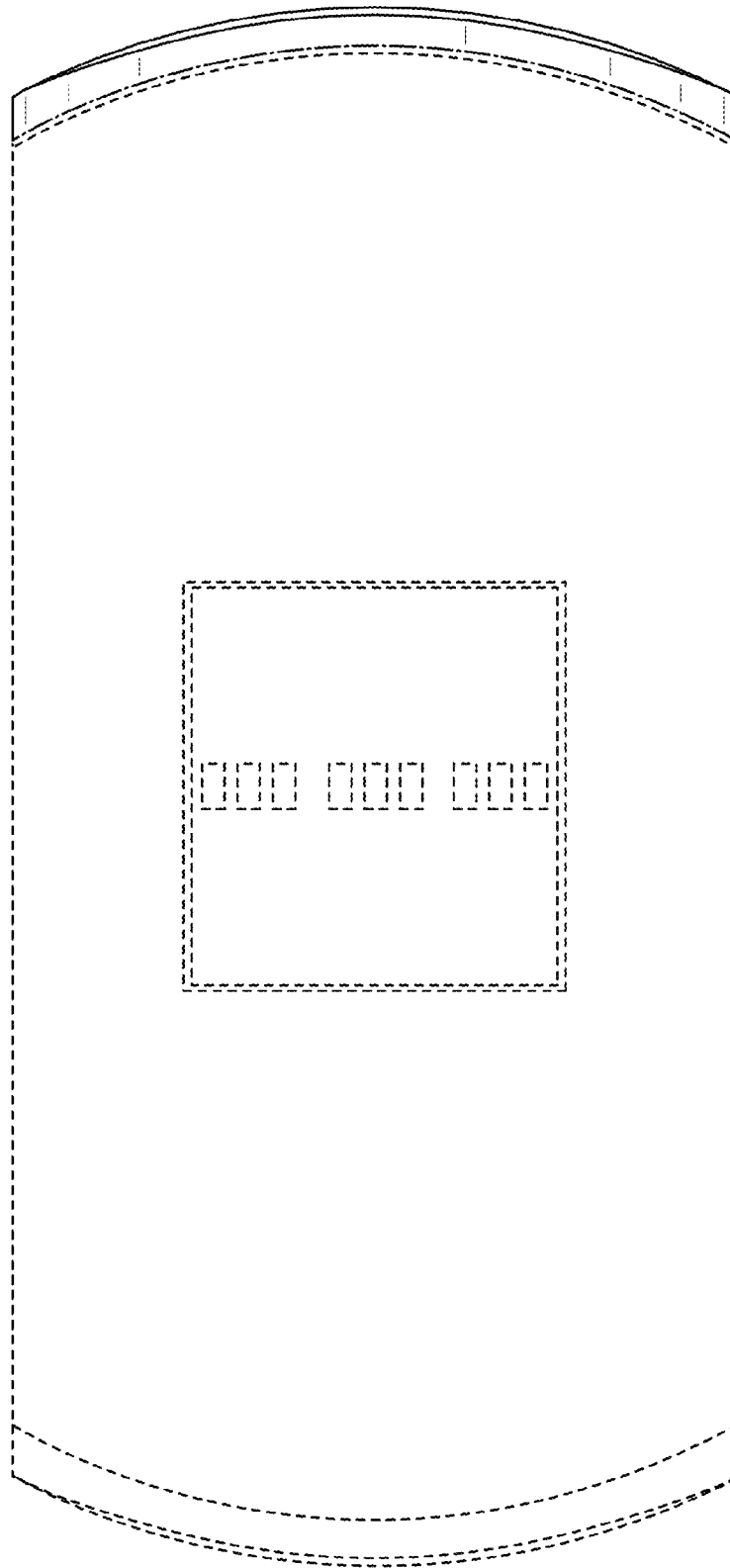


FIG. 2



FIG. 3

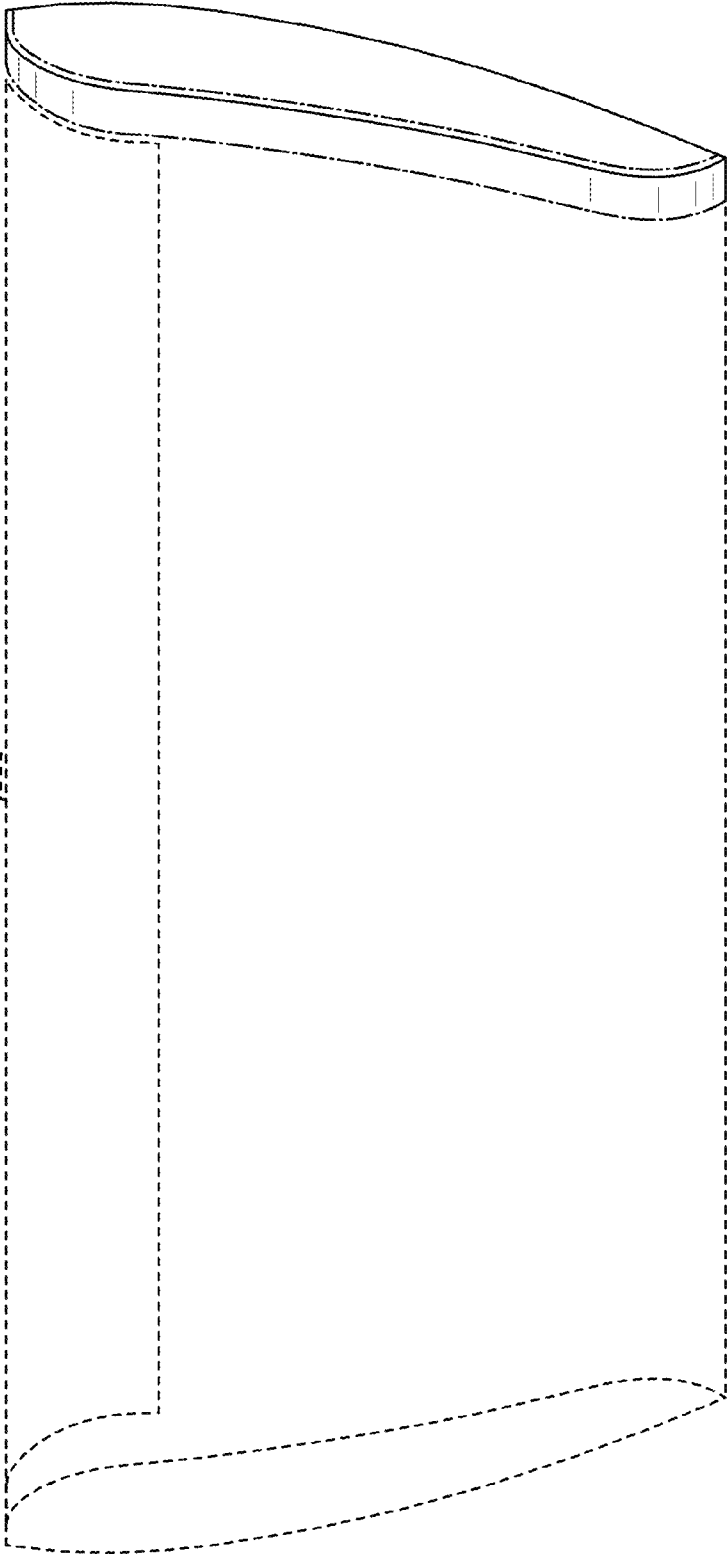


FIG. 4

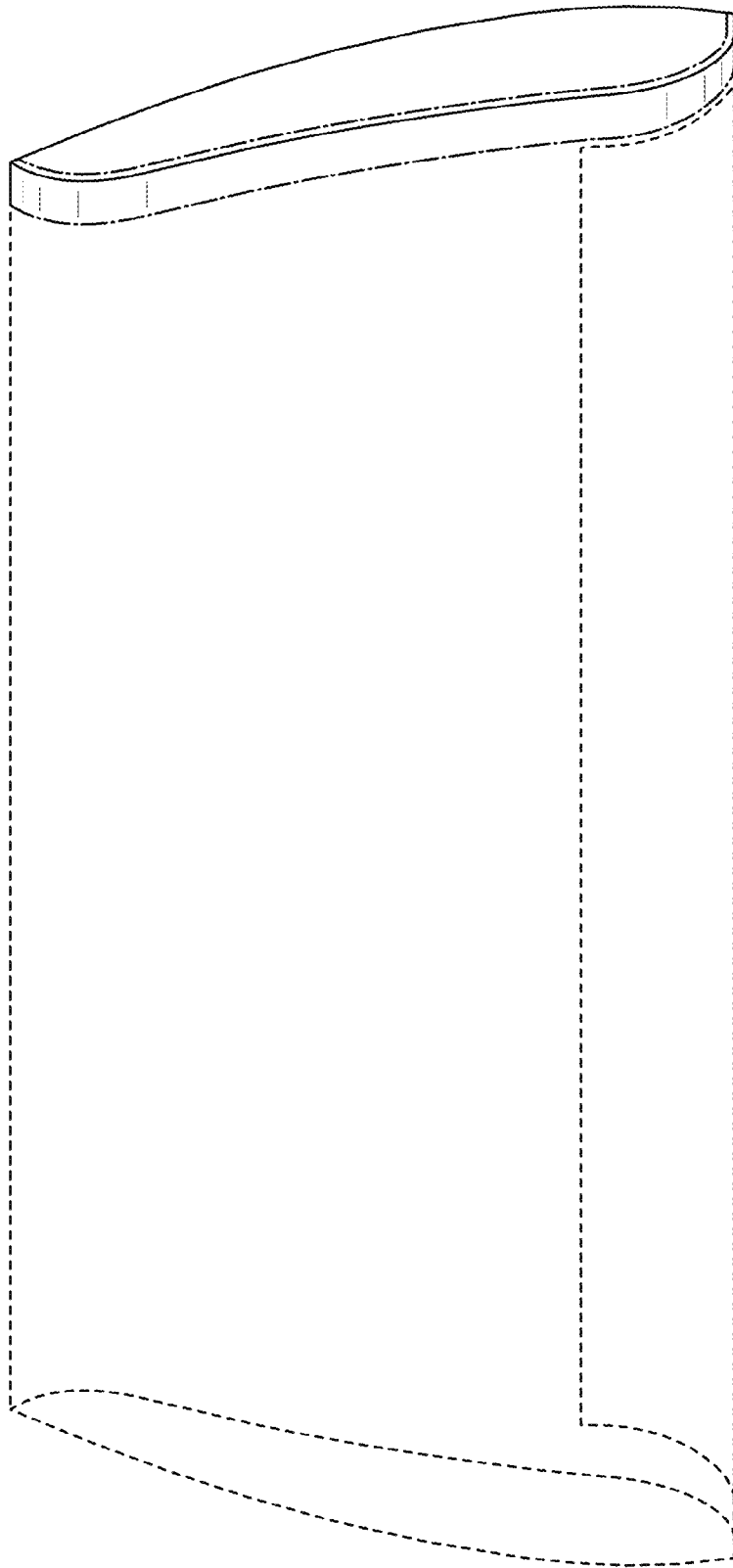


FIG. 5

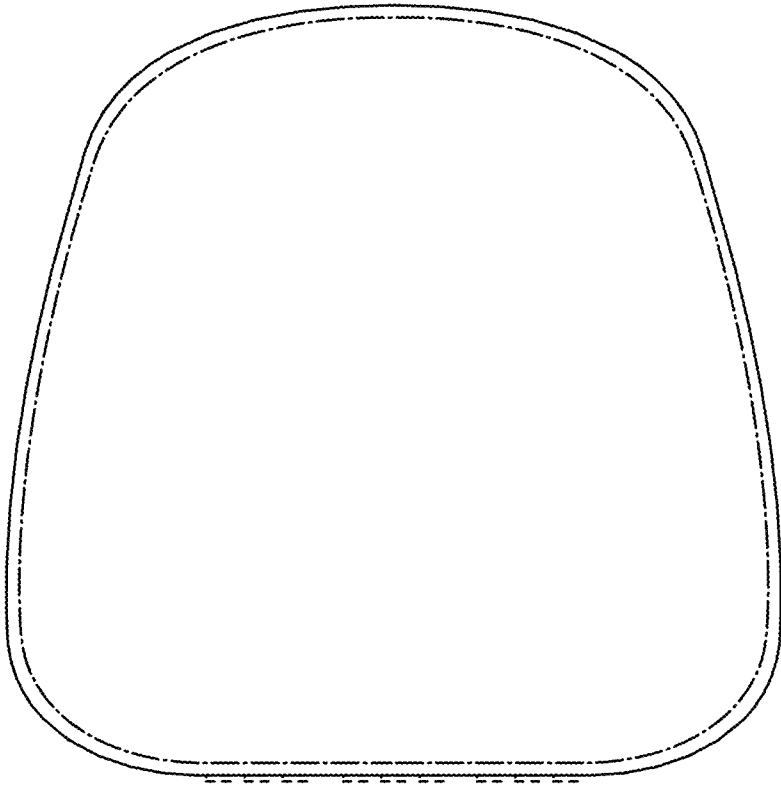


FIG. 6



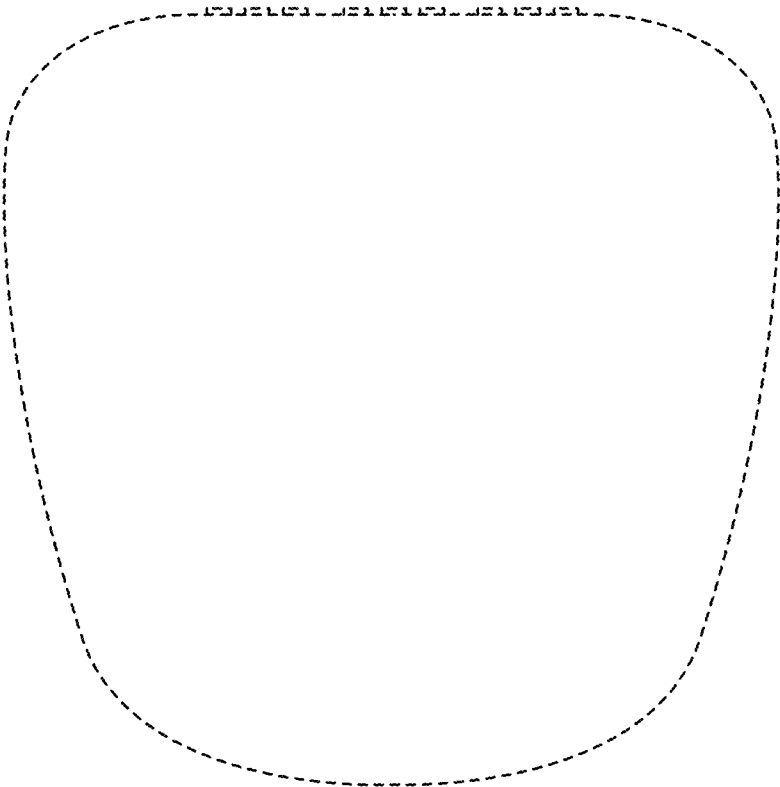


FIG. 7