

(19) World Intellectual Property
Organization
International Bureau



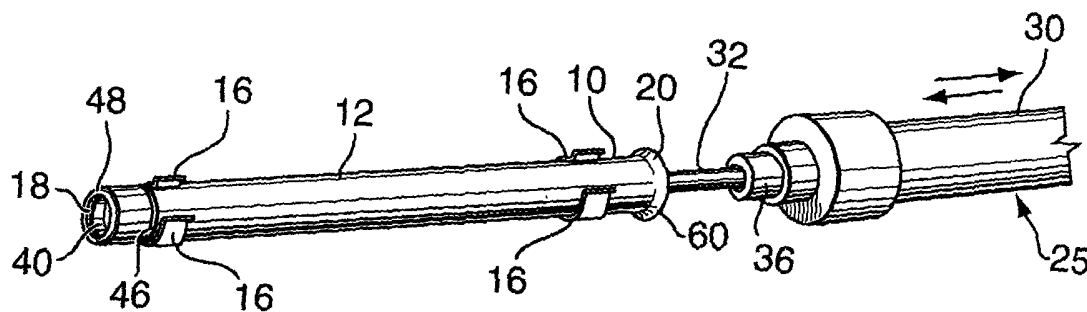
(43) International Publication Date
17 June 2004 (17.06.2004)

PCT

(10) International Publication Number
WO 2004/051795 A3

- (51) International Patent Classification⁷: **H01Q 1/24**, 1/48, H01R 4/48, 13/115
- (21) International Application Number: PCT/CA2003/001854
- (22) International Filing Date: 28 November 2003 (28.11.2003)
- (25) Filing Language: English
- (26) Publication Language: English
- (30) Priority Data:
2,413,360 29 November 2002 (29.11.2002) CA
60/430,082 2 December 2002 (02.12.2002) US
- (71) Applicant: **RESEARCH IN MOTION LIMITED**
[CA/CA]; 295 Phillip Street, Waterloo, Ontario N2L 3W8 (CA).
- (72) Inventors: **CHEN, Chao**; 508 Mountbatten Ave., Waterloo, Ontario N2T 2T8 (CA). **KYOWSKI, Timothy, H.**; 19 Childerhose Cres., Brantford, Ontario N3P 1Z8 (CA).
- (74) Agents: **WONG, Jeffrey, W.** et al.; Borden Ladner Gervais LLP, 100 Queen Street, Suite 1100, Ottawa, Ontario K1P 1J9 (CA).
- (81) Designated States (*national*): AE, AG, AL, AM, AT, AU, AZ, BA, BB, BG, BR, BY, BZ, CA, CH, CN, CO, CR, CU, CZ, DE, DK, DM, DZ, EC, EE, ES, FI, GB, GD, GE, GH, GM, HR, HU, ID, IL, IN, IS, JP, KE, KG, KP, KR, KZ, LC, LK, LR, LS, LT, LU, LV, MA, MD, MG, MK, MN, MW, MX, MZ, NO, NZ, OM, PH, PL, PT, RO, RU, SC, SD, SE, SG, SK, SL, TJ, TM, TN, TR, TT, TZ, UA, UG, UZ, VC, VN, YU, ZA, ZM, ZW.
- (84) Designated States (*regional*): ARIPO patent (BW, GH, GM, KE, LS, MW, MZ, SD, SL, SZ, TZ, UG, ZM, ZW), Eurasian patent (AM, AZ, BY, KG, KZ, MD, RU, TJ, TM), European patent (AT, BE, BG, CH, CY, CZ, DE, DK, EE, ES, FI, FR, GB, GR, HU, IE, IT, LU, MC, NL, PT, RO, SE, SI, SK, TR), OAPI patent (BF, BJ, CF, CG, CI, CM, GA, GN, GQ, GW, ML, MR, NE, SN, TD, TG).
- Published:**
— with international search report
— before the expiration of the time limit for amending the claims and to be republished in the event of receipt of amendments
- (88) Date of publication of the international search report: 12 August 2004
- For two-letter codes and other abbreviations, refer to the "Guidance Notes on Codes and Abbreviations" appearing at the beginning of each regular issue of the PCT Gazette.*

(54) Title: GROUNDING CLIP FOR RETRACTABLE ANTENNA



(57) Abstract: An antenna grounding assembly for a hand-held device, the grounding assembly comprising: an antenna having an antenna shaft connected between a grounding block and a protective sheath; an antenna tube affixed within the hand-held device and holding the antenna, the antenna tube having an upper end through which the antenna shaft is extended or retracted, and an inner end opposite the upper end; and a grounding clip installed into the inner end of the antenna tube, the grounding clip having a base and at least one contact pin extending axially along the antenna tube for resilient contact with the grounding block.

WO 2004/051795 A3

INTERNATIONAL SEARCH REPORT

International Application No
PCT/CA 03/01854

A. CLASSIFICATION OF SUBJECT MATTER
IPC 7 H01Q1/24 H01Q1/48 H01R4/48 H01R13/115

According to International Patent Classification (IPC) or to both national classification and IPC

B. FIELDS SEARCHED

Minimum documentation searched (classification system followed by classification symbols)
IPC 7 H01Q H04B H01R

Documentation searched other than minimum documentation to the extent that such documents are included in the fields searched

Electronic data base consulted during the international search (name of data base and, where practical, search terms used)

EPO-Internal, WPI Data, PAJ

C. DOCUMENTS CONSIDERED TO BE RELEVANT

Category °	Citation of document, with indication, where appropriate, of the relevant passages	Relevant to claim No.
X	PATENT ABSTRACTS OF JAPAN vol. 018, no. 364 (E-1575), 8 July 1994 (1994-07-08) & JP 06 097712 A (YOKOWO CO LTD), 8 April 1994 (1994-04-08)	1, 15, 19
Y	abstract	2-6
Y	----- US 2001/001554 A1 (OSHIYAMA TADASHI) 24 May 2001 (2001-05-24) figure 8	2-6
A	----- EP 0 261 778 A (AMPHENOL CORP) 30 March 1988 (1988-03-30) figures 1,2,14 -----	1-6

Further documents are listed in the continuation of box C.

Patent family members are listed in annex.

° Special categories of cited documents :

- *A* document defining the general state of the art which is not considered to be of particular relevance
- *E* earlier document but published on or after the international filing date
- *L* document which may throw doubts on priority claim(s) or which is cited to establish the publication date of another citation or other special reason (as specified)
- *O* document referring to an oral disclosure, use, exhibition or other means
- *P* document published prior to the international filing date but later than the priority date claimed

- *T* later document published after the international filing date or priority date and not in conflict with the application but cited to understand the principle or theory underlying the invention
- *X* document of particular relevance; the claimed invention cannot be considered novel or cannot be considered to involve an inventive step when the document is taken alone
- *Y* document of particular relevance; the claimed invention cannot be considered to involve an inventive step when the document is combined with one or more other such documents, such combination being obvious to a person skilled in the art.
- * & * document member of the same patent family

Date of the actual completion of the international search

1 April 2004

Date of mailing of the international search report

09.06.2004

Name and mailing address of the ISA
European Patent Office, P.B. 5818 Patentlaan 2
NL - 2280 HV Rijswijk
Tel. (+31-70) 340-2040, Tx. 31 651 epo nl,
Fax: (+31-70) 340-3016

Authorized officer

Ribbe, J

INTERNATIONAL SEARCH REPORT

International application No.
PCT/CA 03/01854

Box I Observations where certain claims were found unsearchable (Continuation of item 1 of first sheet)

This International Search Report has not been established in respect of certain claims under Article 17(2)(a) for the following reasons:

1. Claims Nos.:
because they relate to subject matter not required to be searched by this Authority, namely:

2. Claims Nos.:
because they relate to parts of the International Application that do not comply with the prescribed requirements to such an extent that no meaningful International Search can be carried out, specifically:

3. Claims Nos.:
because they are dependent claims and are not drafted in accordance with the second and third sentences of Rule 6.4(a).

Box II Observations where unity of invention is lacking (Continuation of item 2 of first sheet)

This International Searching Authority found multiple inventions in this international application, as follows:

see additional sheet

1. As all required additional search fees were timely paid by the applicant, this International Search Report covers all searchable claims.

2. As all searchable claims could be searched without effort justifying an additional fee, this Authority did not invite payment of any additional fee.

3. As only some of the required additional search fees were timely paid by the applicant, this International Search Report covers only those claims for which fees were paid, specifically claims Nos.:

4. No required additional search fees were timely paid by the applicant. Consequently, this International Search Report is restricted to the invention first mentioned in the claims; it is covered by claims Nos.:

see annex

Remark on Protest

- The additional search fees were accompanied by the applicant's protest.
- No protest accompanied the payment of additional search fees.

FURTHER INFORMATION CONTINUED FROM PCT/ISA/ 210

This International Searching Authority found multiple (groups of) inventions in this international application, as follows:

1. claims: 1-7, 15, 19

Grounding clip installation

2. claim: 8

Number of pins

3. claims: 9-13

Shape of pin (dog-legged)

4. claim: 14

Shape of pin (forked)

5. claims: 16-18, 22-40

PCB mounting

6. claims: 20-21

Housing mounting

INTERNATIONAL SEARCH REPORT

Information on patent family members

International Application No

PCT/CA 03/01854

Patent document cited in search report		Publication date	Patent family member(s)	Publication date
JP 06097712	A	08-04-1994	JP 2791848 B2	27-08-1998
US 2001001554	A1	24-05-2001	JP 2000188503 A	04-07-2000
EP 0261778	A	30-03-1988	US 4734064 A	29-03-1988
			EP 0261778 A1	30-03-1988
			JP 63102182 A	07-05-1988