



US00D663183S

(12) **United States Design Patent**  
**Sell**

(10) **Patent No.:** **US D663,183 S**

(45) **Date of Patent:** **\*\* Jul. 10, 2012**

(54) **HAMMER DRILL**

(75) Inventor: **Stefan Sell**, Mainz (DE)

(73) Assignee: **Black & Decker Inc.**, Newark, DE (US)

(\*\*) Term: **14 Years**

(21) Appl. No.: **29/385,945**

(22) Filed: **Feb. 23, 2011**

(30) **Foreign Application Priority Data**

Sep. 3, 2010 (EM) ..... 001232797

(51) **LOC (9) Cl.** ..... **08-01**

(52) **U.S. Cl.** ..... **D8/69**

(58) **Field of Classification Search** ..... D8/68,  
D8/69; 81/57.11, 429, 454-456, 469, 489;  
173/13, 104, 114, 167-173, 178, 201, 211,  
173/213, 217, 198; 227/8, 113, 114, 120,  
227/130, 136, 142; 310/50; 408/20, 124,  
408/125, 234, 241 R, 58, 67; 451/358

See application file for complete search history.

(56) **References Cited**

U.S. PATENT DOCUMENTS

D528,393 S \* 9/2006 Stirn ..... D8/69  
D592,028 S \* 5/2009 Taniguchi et al. .... D8/69  
D604,583 S \* 11/2009 Yamamoto et al. .... D8/69

\* cited by examiner

*Primary Examiner* — Antoine D Davis

(74) *Attorney, Agent, or Firm* — Kofi Schulerbrandt; Adan Ayala; Scott B. Markow

(57) **CLAIM**

The ornamental design for a hammer drill, as shown and described.

**DESCRIPTION**

FIG. 1 is a left/front perspective view of a hammer drill showing my new design.

FIG. 2 is a left side view thereof.

FIG. 3 is a right side view thereof.

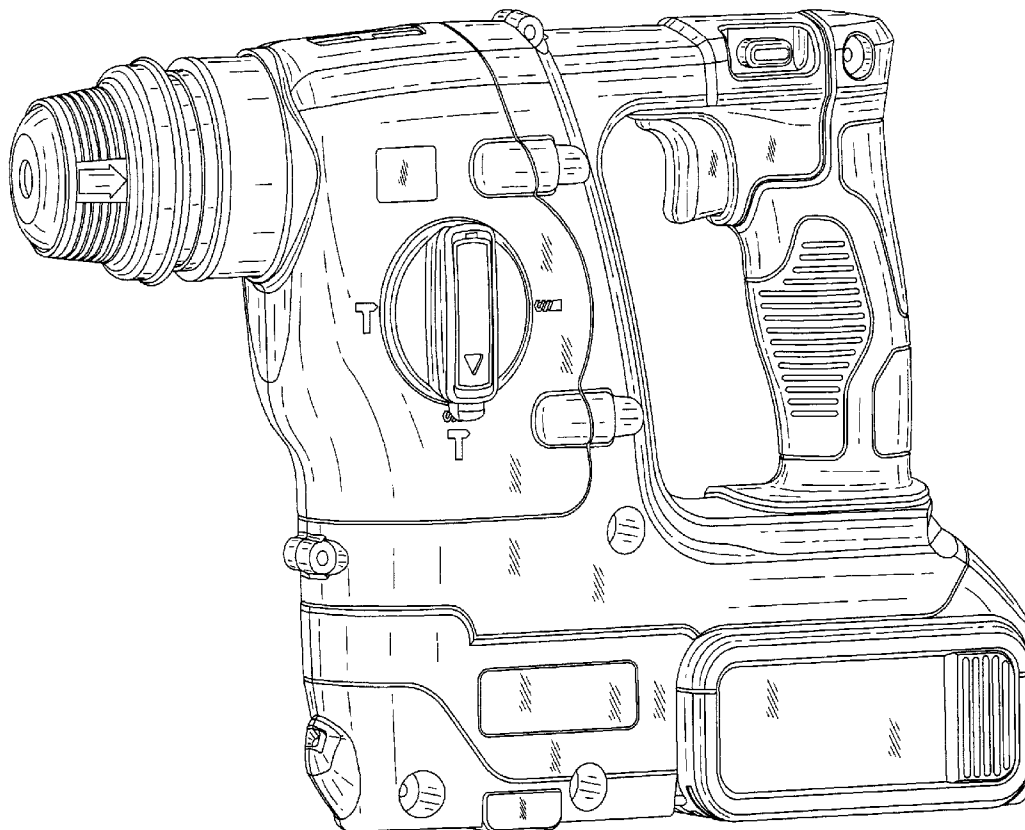
FIG. 4 is a front view thereof.

FIG. 5 is a rear view thereof.

FIG. 6 is a top view thereof; and,

FIG. 7 is a bottom view thereof.

**1 Claim, 5 Drawing Sheets**



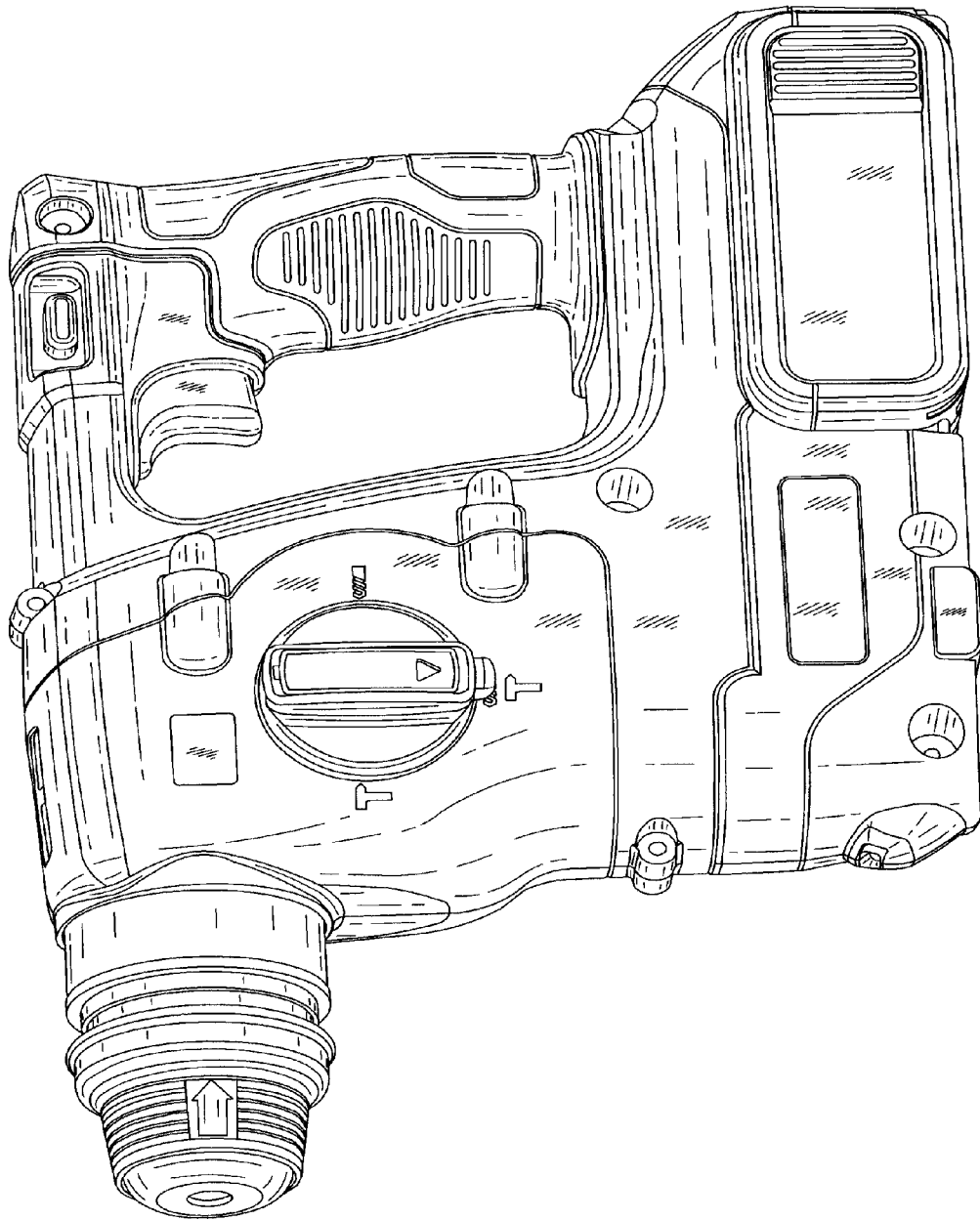


FIG.1

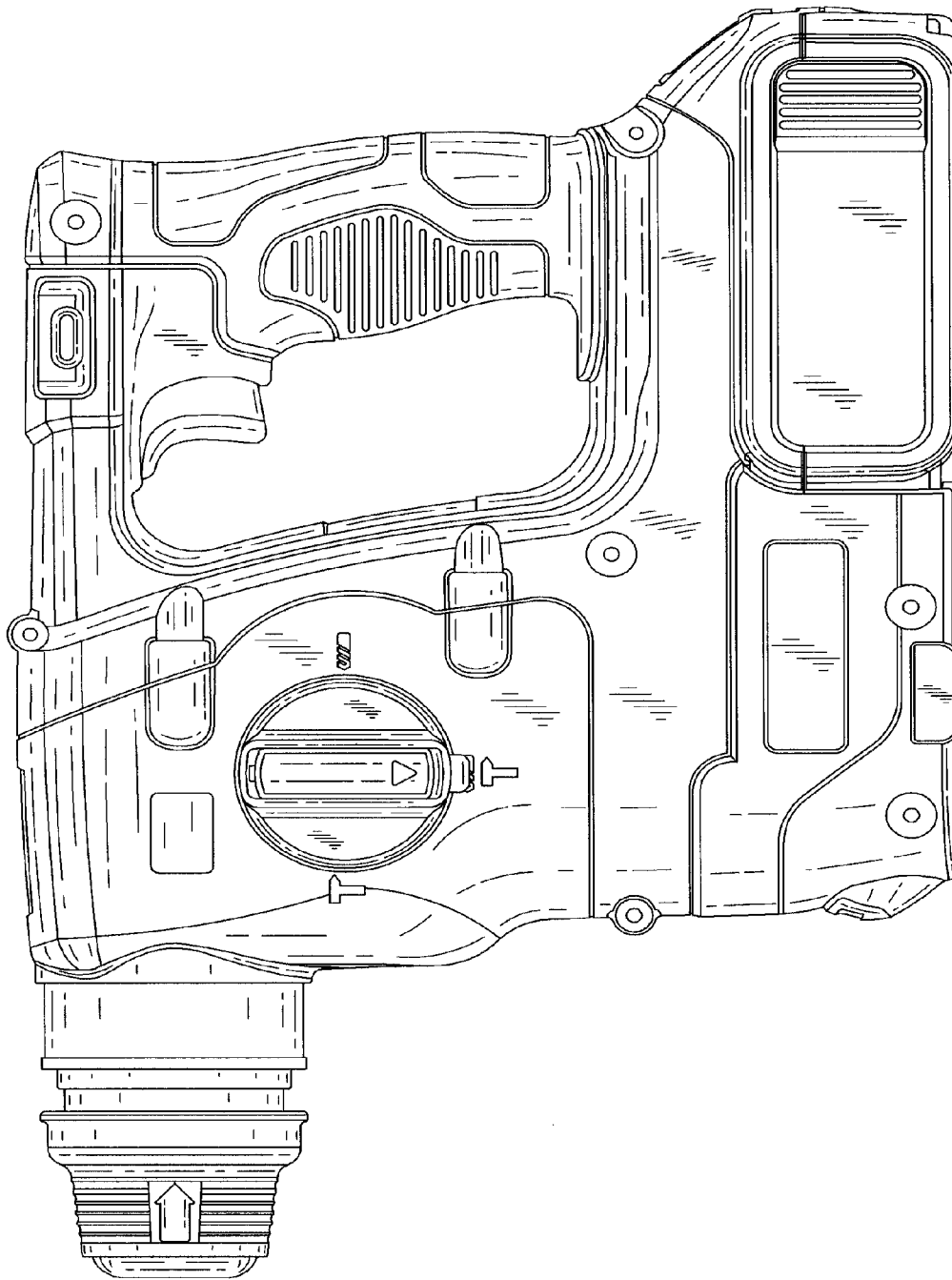


FIG.2

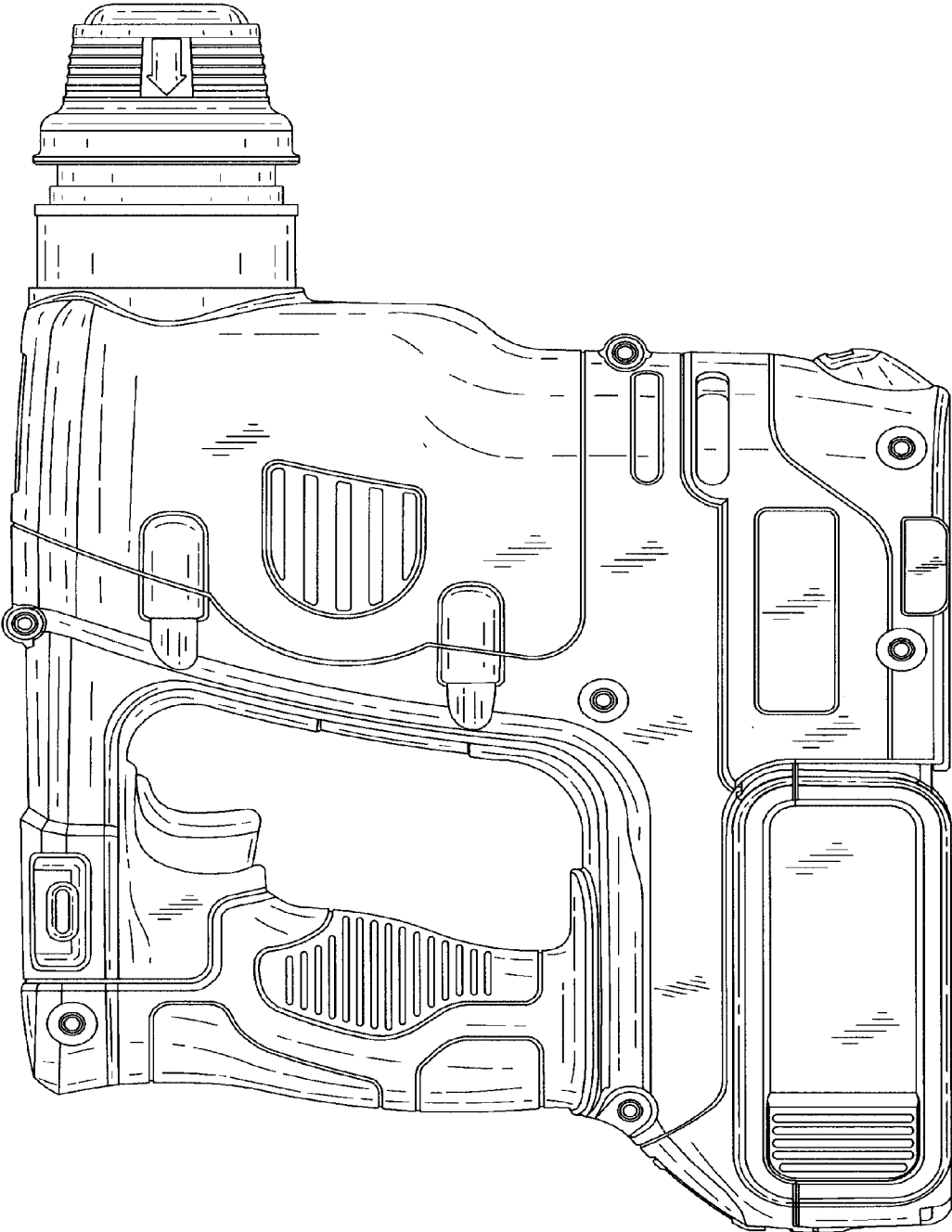


FIG.3

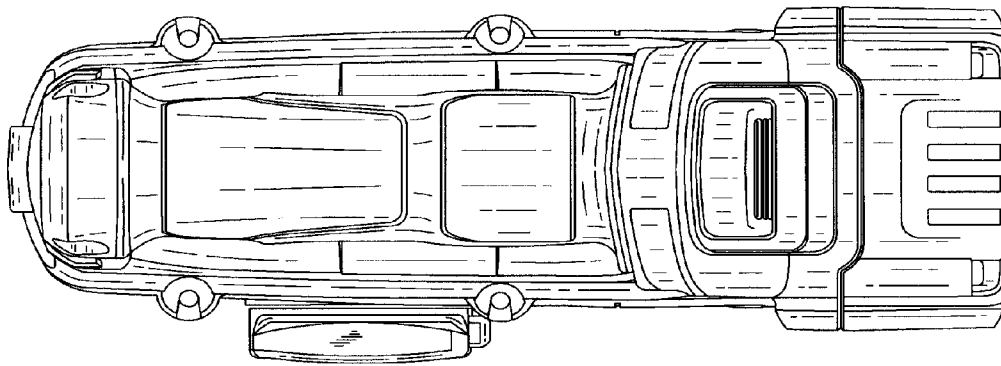


FIG.5

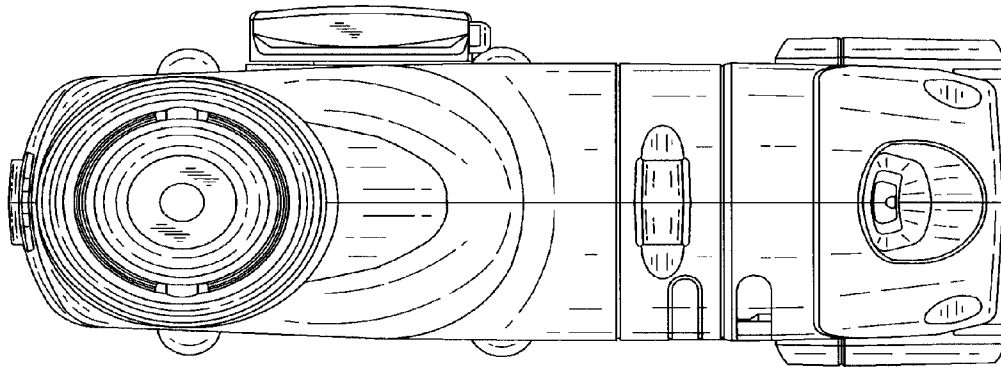


FIG.4

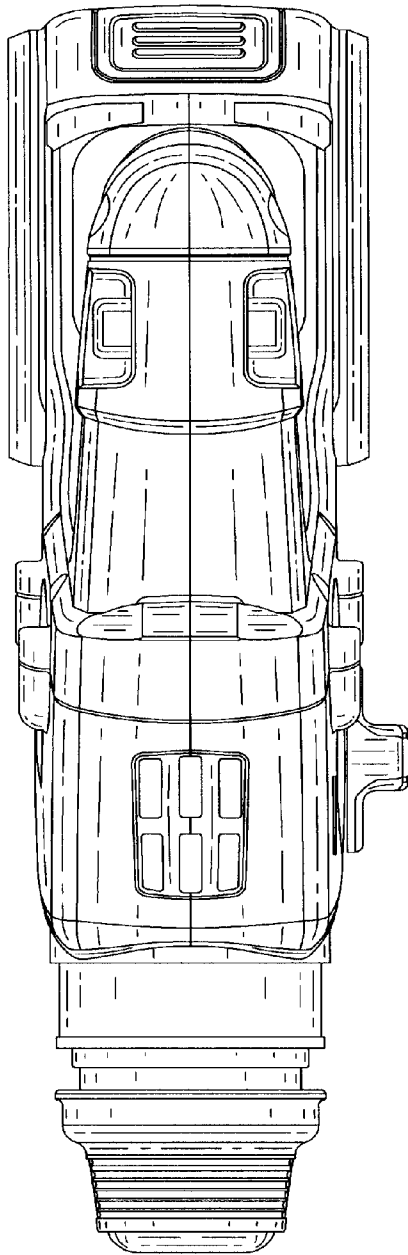


FIG. 6

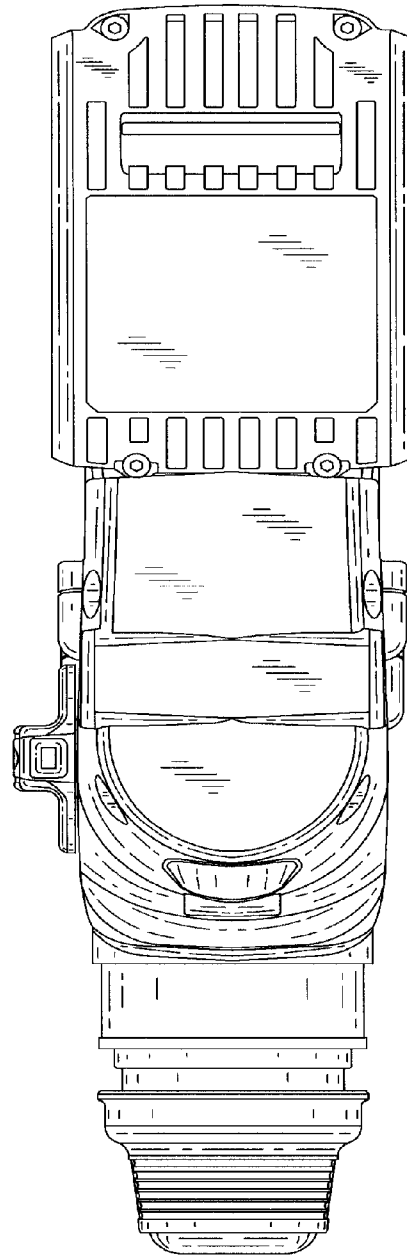


FIG. 7