



US00D925263S

(12) **United States Design Patent**
Bahreinian et al.

(10) **Patent No.:** **US D925,263 S**
(45) **Date of Patent:** **** Jul. 20, 2021**

(54) **GRILL**

FOREIGN PATENT DOCUMENTS

(71) Applicant: **NewAge Products, Inc.**, Vaughan (CA)

WO 2009012793 A1 1/2009
WO 2013116946 A1 8/2013

(72) Inventors: **Hessam Bahreinian**, Toronto (CA);
Robert Vandenharn, Woodbridge (CA)

(Continued)

(73) Assignee: **NewAge Products Inc.**, Vaughan (CA)

Big Green Egg, Egghead Forum, "I'm Hanging a Chicken Too Blog", Oct. 2014, 9 pages.

(**) Term: **15 Years**

(Continued)

(21) Appl. No.: **29/722,399**

Primary Examiner — Mary Ann Calabrese
Assistant Examiner — Natalya M Rapundalo
(74) *Attorney, Agent, or Firm* — Howard & Howard
Attorneys PLLC

(22) Filed: **Jan. 29, 2020**

(51) **LOC (13) Cl.** **07-02**

(52) **U.S. Cl.**
USPC **D7/332**

(57) **CLAIM**

An ornamental design for a grill, as shown and described.

(58) **Field of Classification Search**

DESCRIPTION

USPC D7/323, 327, 332, 334, 335, 339, 347,
D7/348, 350.2, 350.3, 350.4, 354, 402
CPC .. A47J 33/00; A47J 36/38; A47J 37/00; A47J
37/04; A47J 37/06; A47J 37/0623; A47J
37/0629; A47J 37/0635; A47J 37/0647;
A47J 37/0652; A47J 37/0658; A47J
37/07; A47J 37/0704; A47J 37/0709;
A47J 37/0713; A47J 37/0718; A47J
37/0727; A47J 37/075; A47J 37/0754;
A47J 37/0763; A47J 37/0786; A47J
2037/0777; F24C 1/16; F24C 5/20

FIG. 1 is a first perspective view of the grill, according to the present invention;
FIG. 2 is a front elevational view of the grill shown in FIG. 1;
FIG. 3 is a rear elevational view of the grill shown in FIG. 1;
FIG. 4 is a top plan view of the grill shown in FIG. 1;
FIG. 5 is a bottom plan view of the grill shown in FIG. 1;
FIG. 6 is a first side elevational view of the grill shown in FIG. 1;
FIG. 7 is a second side elevational view of the grill shown in FIG. 1;
FIG. 8 is a second perspective view of the grill shown in FIG. 1;
FIG. 9 is a third perspective view of the grill shown in FIG. 1; and,
FIG. 10 is a fourth perspective view of the grill shown in FIG. 1.

See application file for complete search history.

In the drawings, the broken lines represent portions of the grill that form no part of the claimed design.

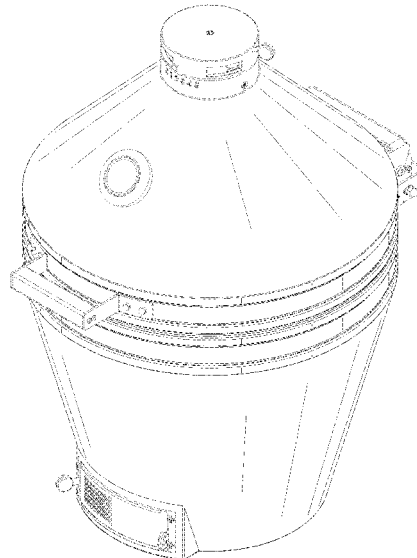
(56) **References Cited**

U.S. PATENT DOCUMENTS

6,616,058 B1 9/2003 Pirkle
6,742,446 B2 6/2004 McLemore et al.
6,827,076 B2 12/2004 Crawford et al.
6,945,161 B1 9/2005 Battaglia et al.

(Continued)

1 Claim, 10 Drawing Sheets



(56)

References Cited

U.S. PATENT DOCUMENTS

6,966,253 B2 11/2005 Witzel
 7,040,219 B1 5/2006 D'Amato et al.
 7,237,476 B1 7/2007 Bourgeois et al.
 7,281,469 B1 10/2007 Barbour et al.
 7,516,692 B2 4/2009 Pirkle et al.
 7,644,711 B2 1/2010 Creel
 D615,807 S 5/2010 Creel
 D615,814 S 5/2010 Creel
 D642,416 S 8/2011 Scott et al.
 D671,361 S 11/2012 Witzel et al.
 D680,372 S 4/2013 Brennan
 D683,177 S 5/2013 Brennan
 8,464,702 B2 6/2013 Foster
 8,516,644 B2 8/2013 Witzel et al.
 D709,315 S 7/2014 Witzel et al.
 D726,491 S 4/2015 Witzel et al.
 9,016,190 B2 4/2015 Webb
 9,096,247 B2 8/2015 Witzel et al.
 9,101,244 B2 8/2015 Samaras
 D741,605 S 10/2015 Witzel et al.
 9,204,754 B1 12/2015 Bourgeois
 9,237,828 B2 1/2016 Walters et al.
 9,244,467 B2 1/2016 Quinty
 9,339,145 B1 5/2016 Owczarzak
 9,370,276 B2 6/2016 Witzel et al.
 9,554,671 B2 1/2017 Poon
 D781,647 S 3/2017 Bogazzi
 9,603,484 B2 3/2017 Cleveland et al.
 9,655,472 B1 5/2017 Alvarenga
 9,668,615 B2 6/2017 Contarino, Jr.
 9,681,775 B2 6/2017 Contarino, Jr.
 9,707,679 B1 7/2017 Bogazzi
 D802,997 S 11/2017 Bogazzi
 9,814,352 B2 11/2017 Ahmed
 9,879,796 B2 1/2018 Tallos et al.
 D809,340 S 2/2018 Poon
 D810,509 S 2/2018 Bogazzi
 9,883,771 B2 2/2018 Minnich
 D815,878 S * 4/2018 Wong A47J 37/0786
 D817,090 S 5/2018 Bogazzi
 10,010,219 B1 7/2018 Brewer
 10,051,997 B2 8/2018 Contarino, Jr.
 10,070,754 B2 9/2018 Schlosser et al.
 10,070,755 B2 9/2018 Schlosser et al.
 10,085,595 B2 10/2018 Minnich
 10,092,135 B2 10/2018 DeBruiler
 10,098,502 B2 10/2018 Ohler et al.
 10,125,995 B2 11/2018 Kohli
 10,132,502 B2 11/2018 Contarino, Jr.
 10,159,381 B2 12/2018 Walters et al.
 D837,593 S 1/2019 Trudnak et al.
 10,231,575 B1 3/2019 Nicoll et al.
 D844,362 S 4/2019 Davis et al.
 10,258,145 B2 4/2019 Witzel et al.

10,299,626 B2 5/2019 Walters et al.
 D850,853 S 6/2019 Brennan
 D851,450 S 6/2019 Brennan
 D851,451 S 6/2019 Brennan
 10,405,699 B2 9/2019 Contarino, Jr.
 2005/0279223 A1 12/2005 McPeak
 2012/0107476 A1 5/2012 McLemore et al.
 2016/0255998 A1 9/2016 Feng et al.
 2017/0224157 A1 8/2017 Rummel et al.
 2017/0261385 A1* 9/2017 Kohli G01K 13/00
 2017/0336076 A1 11/2017 Walters et al.
 2017/0360238 A1 12/2017 Bogazzi
 2017/0367534 A1 12/2017 Bogazzi
 2017/0370592 A1 12/2017 Bogazzi
 2018/0008093 A1 1/2018 Parker et al.
 2018/0038502 A1 2/2018 Tallos et al.
 2018/0078090 A1 3/2018 Boyd, Sr. et al.
 2018/0098662 A1 4/2018 Klassen
 2018/0116453 A1 5/2018 Boyd, Sr. et al.
 2018/0132659 A1 5/2018 Morgan
 2018/0153344 A1 6/2018 Scott et al.
 2018/0177336 A1 6/2018 Brennan
 2018/0180286 A1 6/2018 Brennan
 2018/0263415 A1 9/2018 Hackley
 2018/0317706 A1 11/2018 Graves et al.
 2018/0368619 A1 12/2018 Boyd, Sr.
 2019/0029466 A1 1/2019 Zhao
 2019/0059652 A1 2/2019 Kohli
 2019/0099040 A1 4/2019 Hopper
 2019/0246839 A1 8/2019 Trudnak et al.
 2019/0282031 A1 9/2019 Feng
 2020/0046163 A1* 2/2020 Yang A47J 37/0786

FOREIGN PATENT DOCUMENTS

WO 2016171775 A1 10/2016
 WO 2017220088 A1 12/2017
 WO 2018204265 A1 11/2018
 WO 2018208919 A1 11/2018
 WO 2019079371 A1 4/2019
 WO 2019104274 A1 5/2019
 WO 2019104372 A1 6/2019
 WO 2019140002 A1 7/2019
 WO 2019104274 A9 9/2019
 WO 2019210387 A1 11/2019

OTHER PUBLICATIONS

U.S. Appl. No. 16/775,919, filed Jan. 29, 2020.
 English language abstract for WO 2009/012793 A1 extracted from espacenet.com database on Apr. 13, 2020, 1 page.
 English language abstract for WO 2017/220088 A1 extracted from espacenet.com database on Apr. 13, 2020, 1 page.
 English language abstract for WO 2019/210387 A1 extracted from espacenet.com database on Apr. 13, 2020, 1 page.

* cited by examiner

Fig. 1

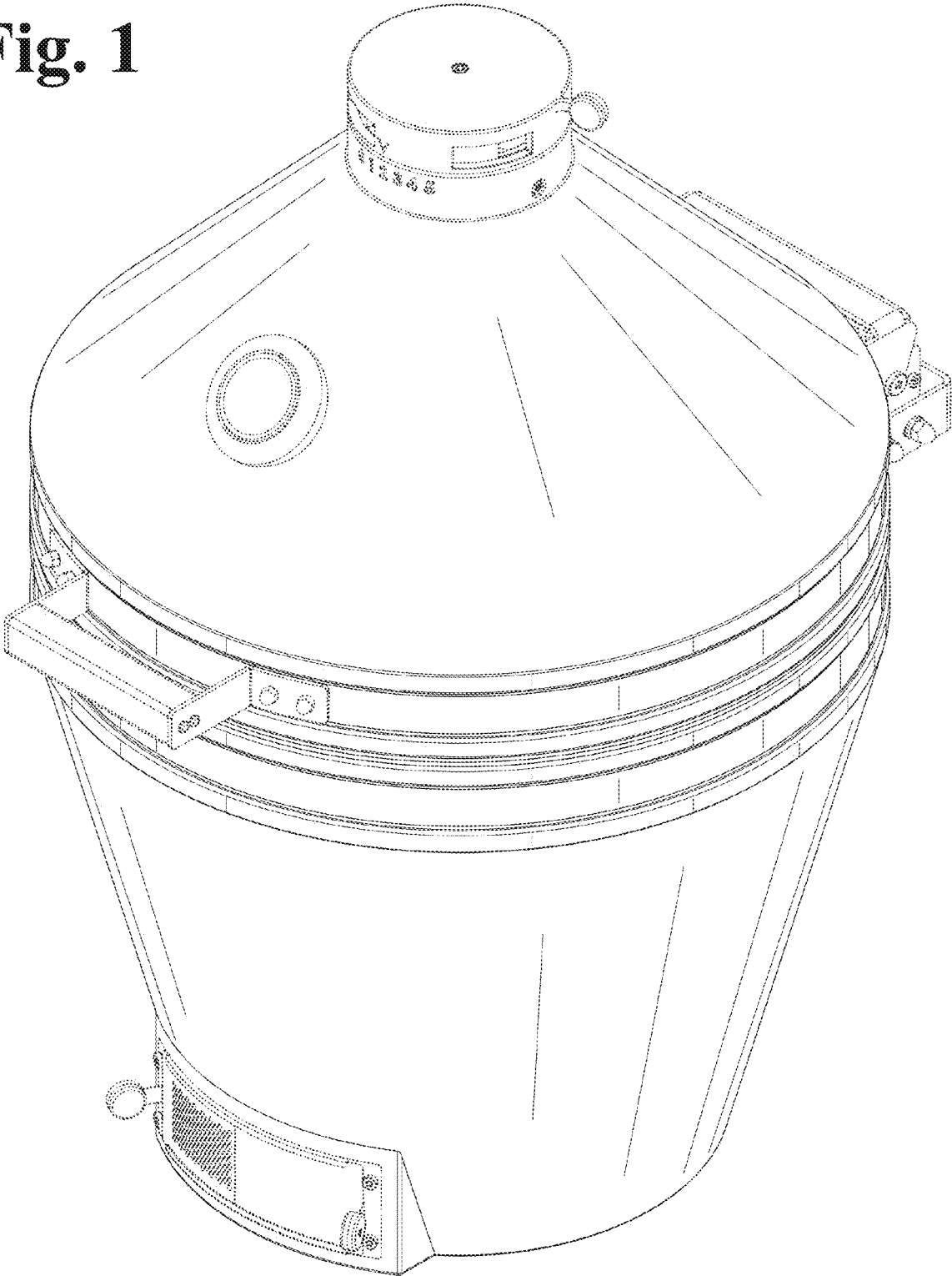


Fig. 2

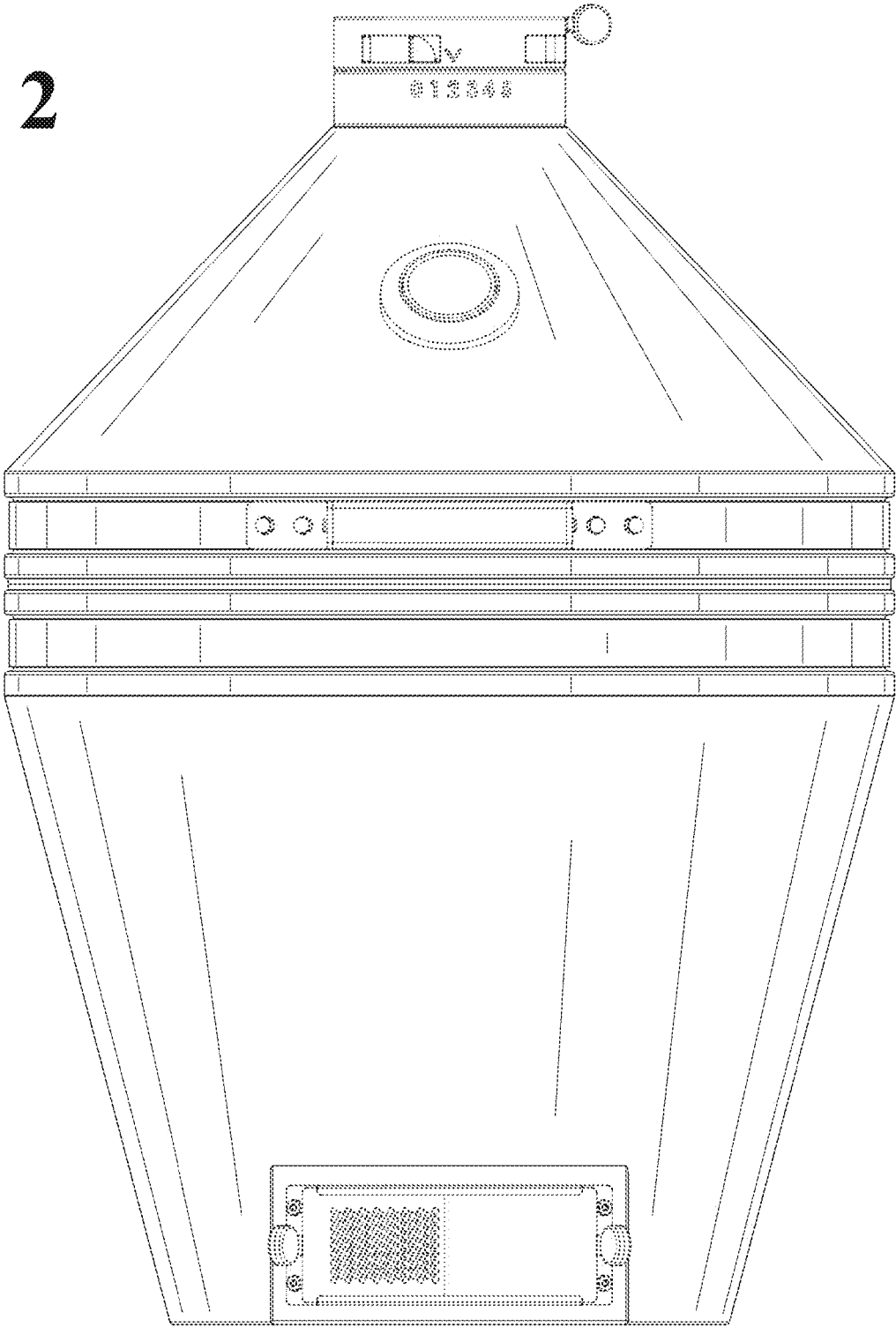


Fig. 3

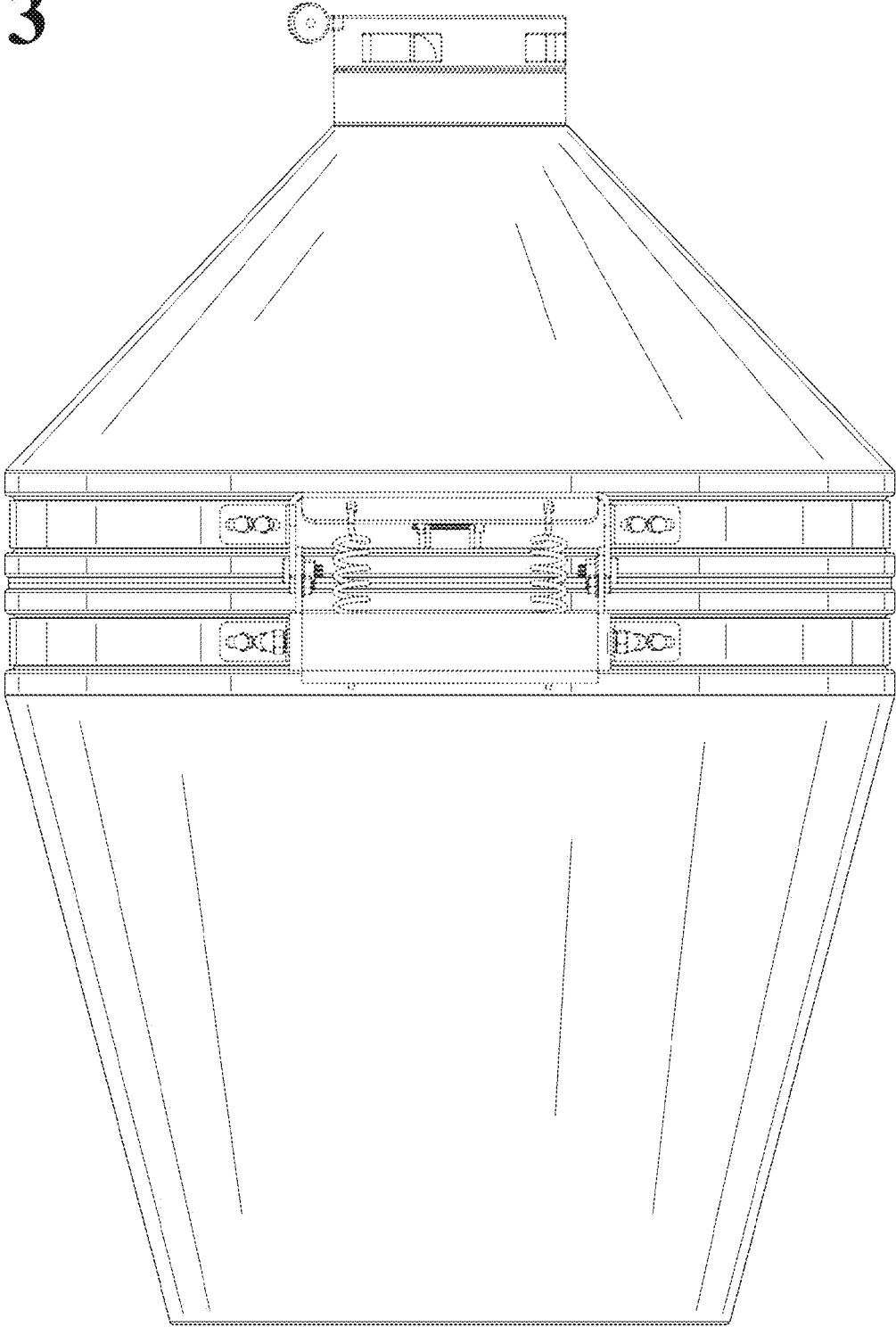


Fig. 4

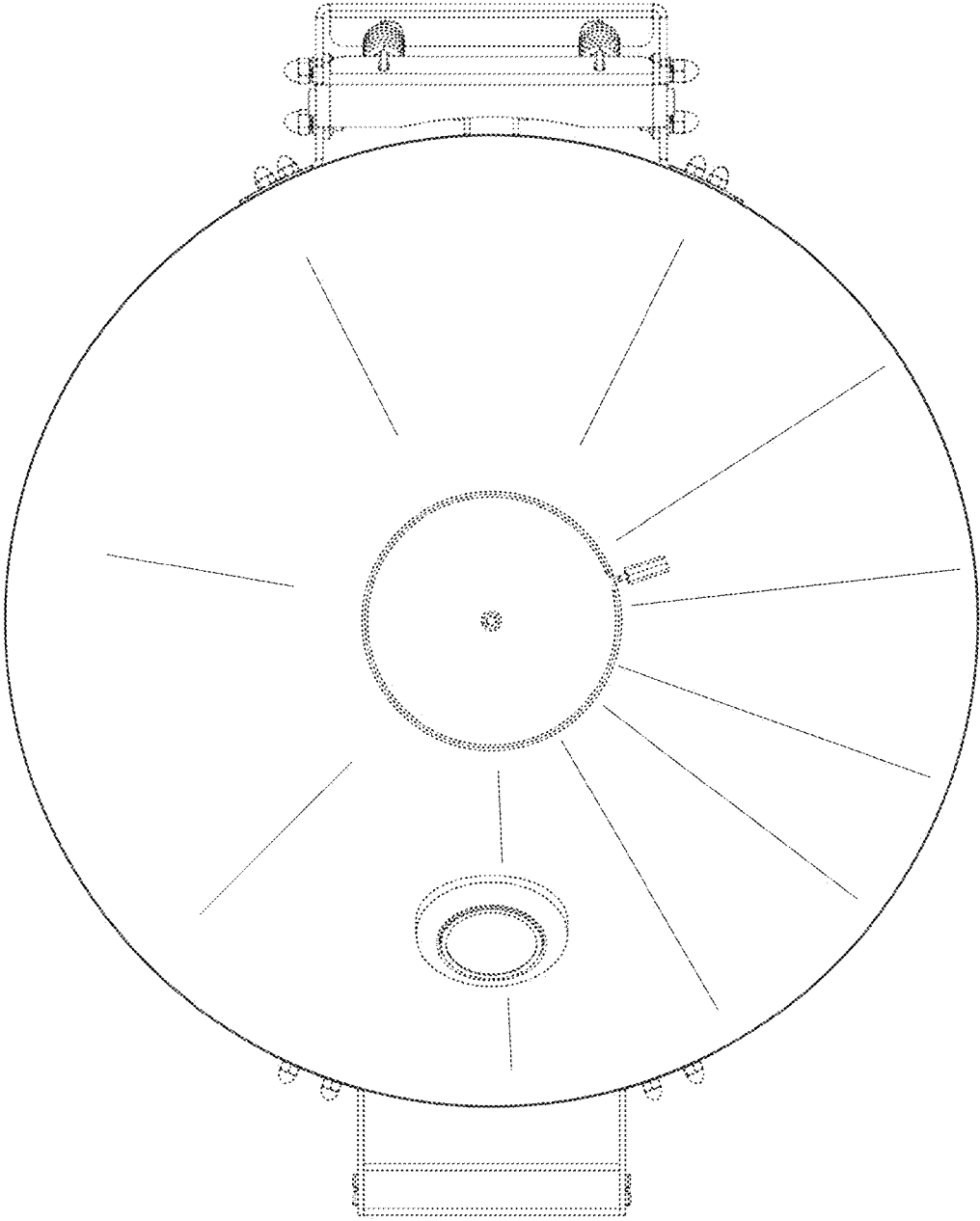


Fig. 5

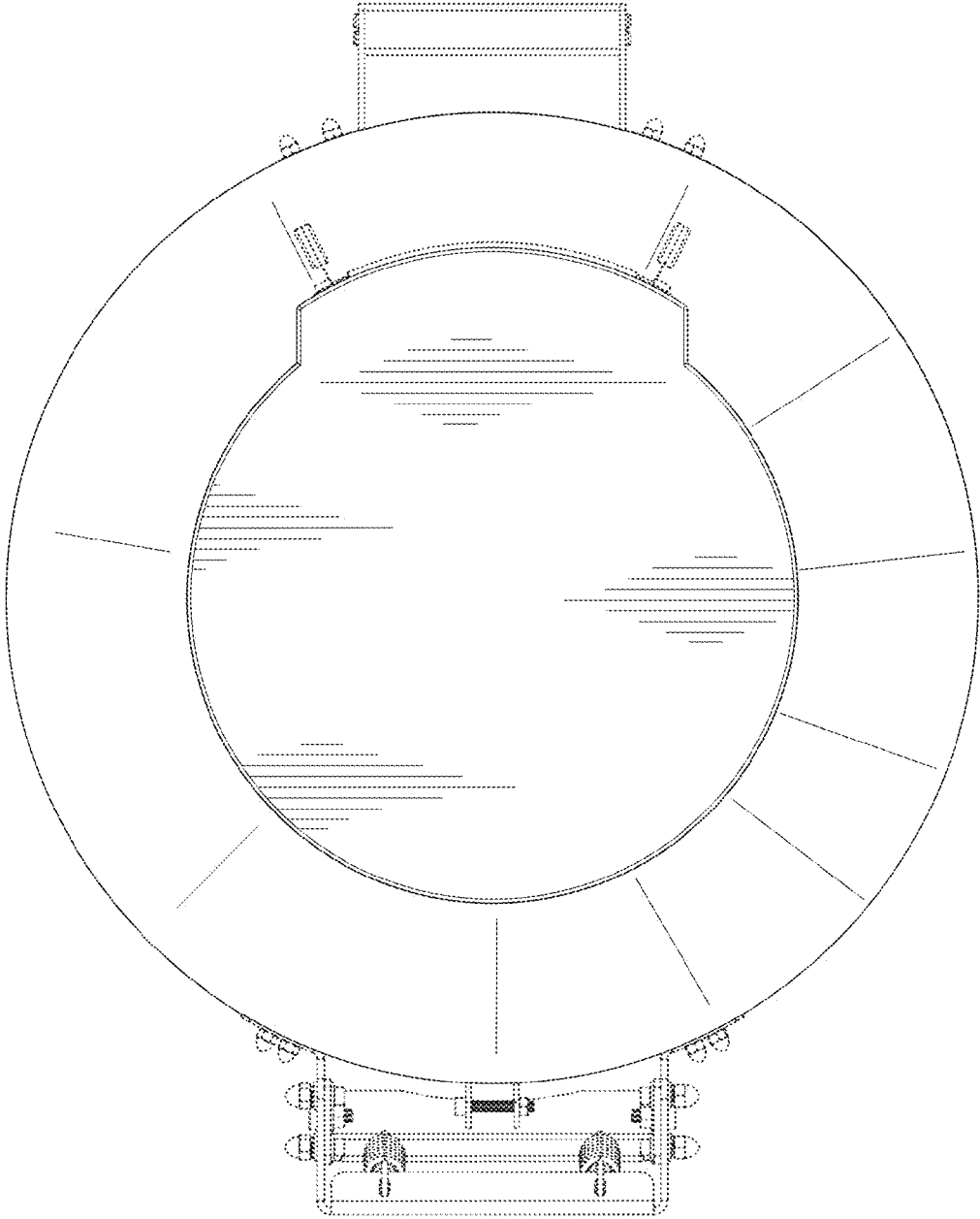


Fig. 6

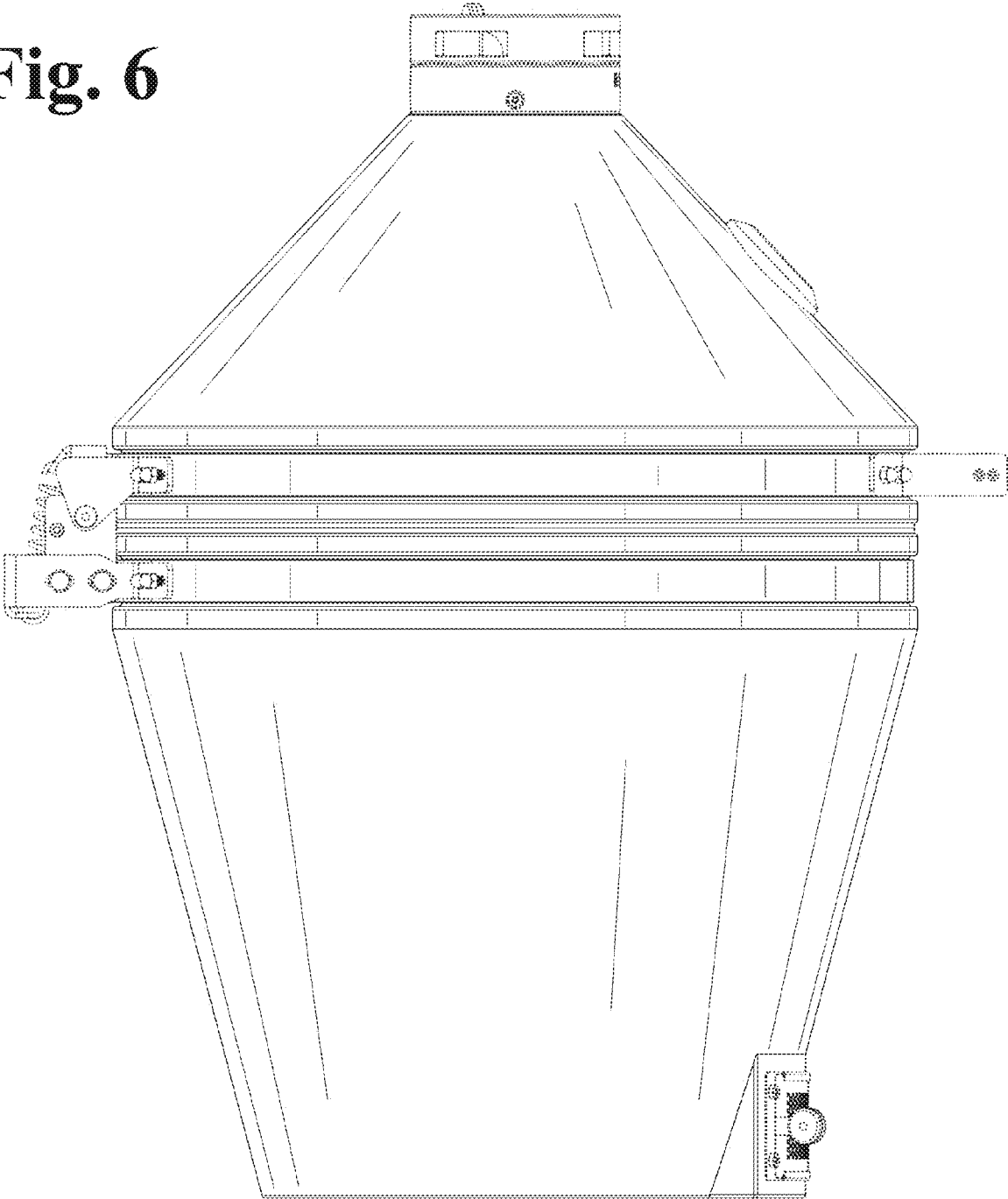


Fig. 7

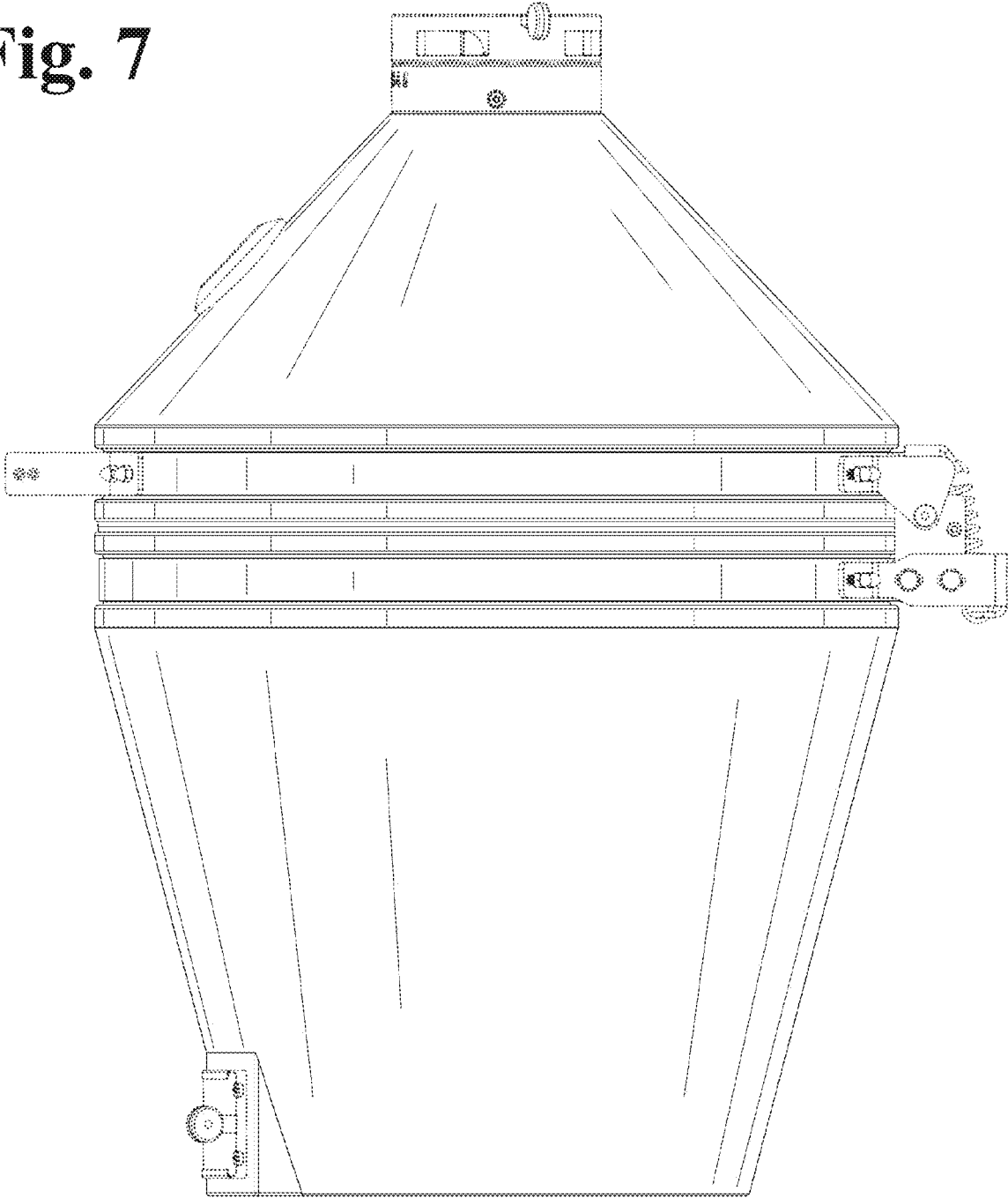


Fig. 8

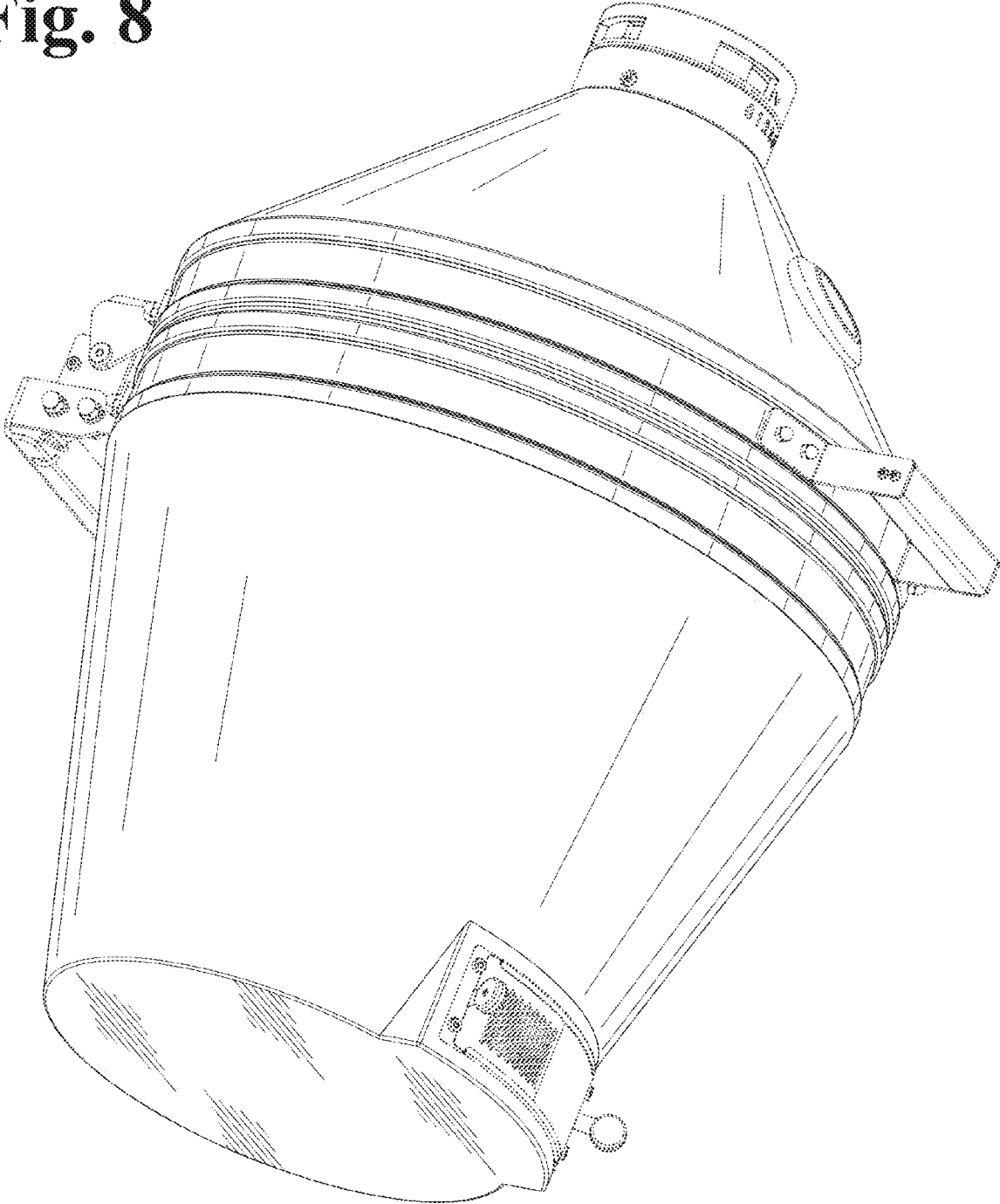


Fig. 9

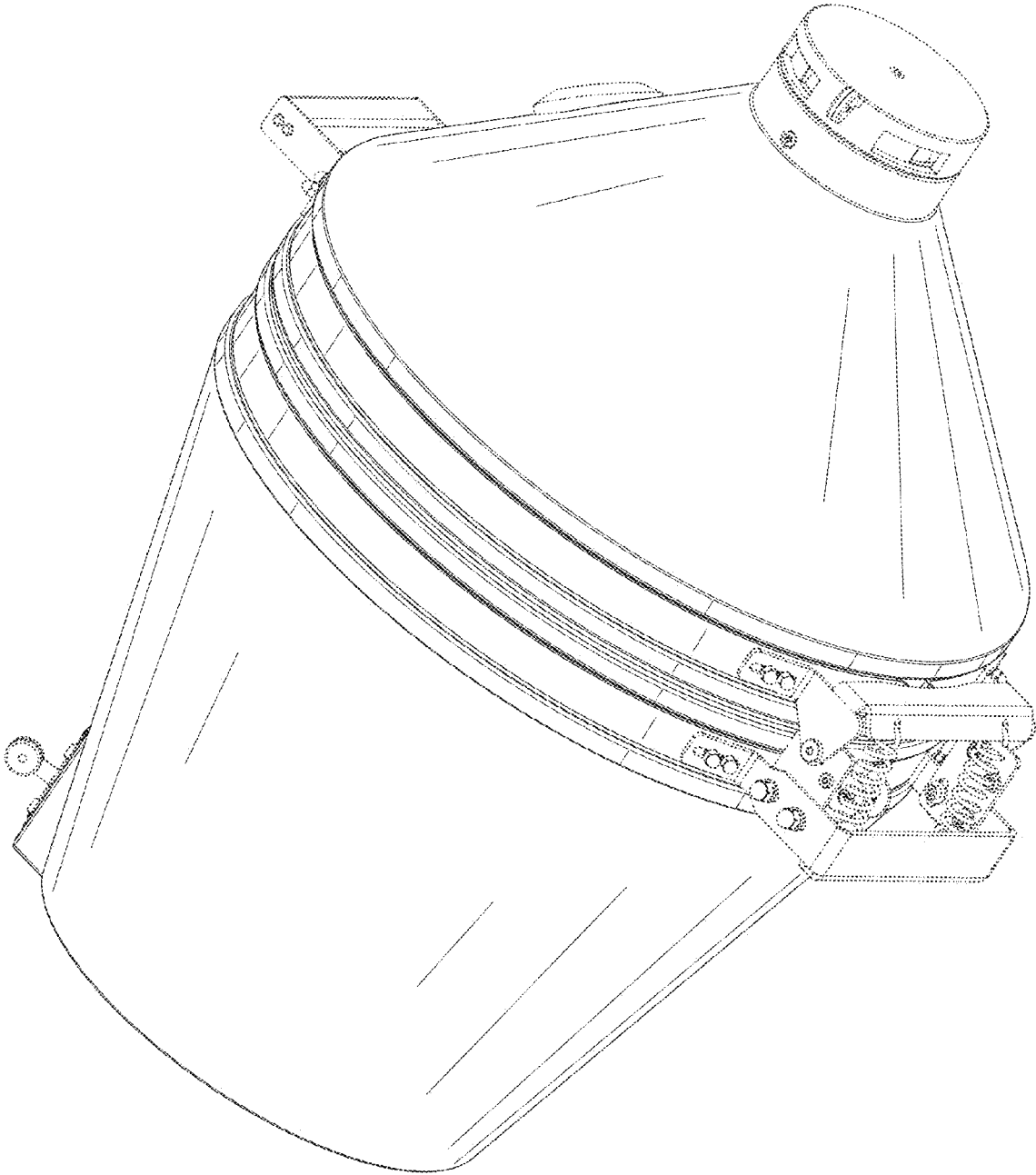


Fig. 10

