



US00D718657S

(12) **United States Design Patent**
Piatt et al.

(10) **Patent No.:** **US D718,657 S**

(45) **Date of Patent:** **** Dec. 2, 2014**

(54) **CLASP**

D579,974 S * 11/2008 Maier-Hunke D19/26
8,453,297 B2 * 6/2013 Wang 16/114.1

(71) Applicant: **Speculative Product Design, LLC**,
Mountain View, CA (US)

* cited by examiner

(72) Inventors: **James Piatt**, San Francisco, CA (US);
Chad Chaumont, San Jose, CA (US);
Randy Chiang, San Jose, CA (US)

Primary Examiner — Ralf Seifert

(74) *Attorney, Agent, or Firm* — Frommer Lawrence &
Haug LLP

(73) Assignee: **Speculative Product Design, LLC**,
Mountain View, CA (US)

(**) Term: **14 Years**

(57) **CLAIM**

The ornamental design for the clasp, as shown and described.

(21) Appl. No.: **29/445,453**

(22) Filed: **Feb. 12, 2013**

DESCRIPTION

(51) **LOC (10) Cl.** **02-07**

(52) **U.S. Cl.**
USPC **D11/216**

(58) **Field of Classification Search**
USPC D11/1, 2, 200–219, 222–237; 24/163 R,
24/169–171, 173, 177–179, 191, 194–195,
24/197, 200, 614–616, 625; D8/394, 395;
D3/323, 324, 237, 239; 70/67
See application file for complete search history.

FIG. 1 is a perspective view of the clasp as it might be used on
a folio type case;

FIG. 2 is a top view of the clasp as it might be used on a folio
type case;

FIG. 3 is a front view of the clasp as it might be used on a folio
type case;

FIG. 4 is a side view of the clasp as it might be used on a folio
type case; and,

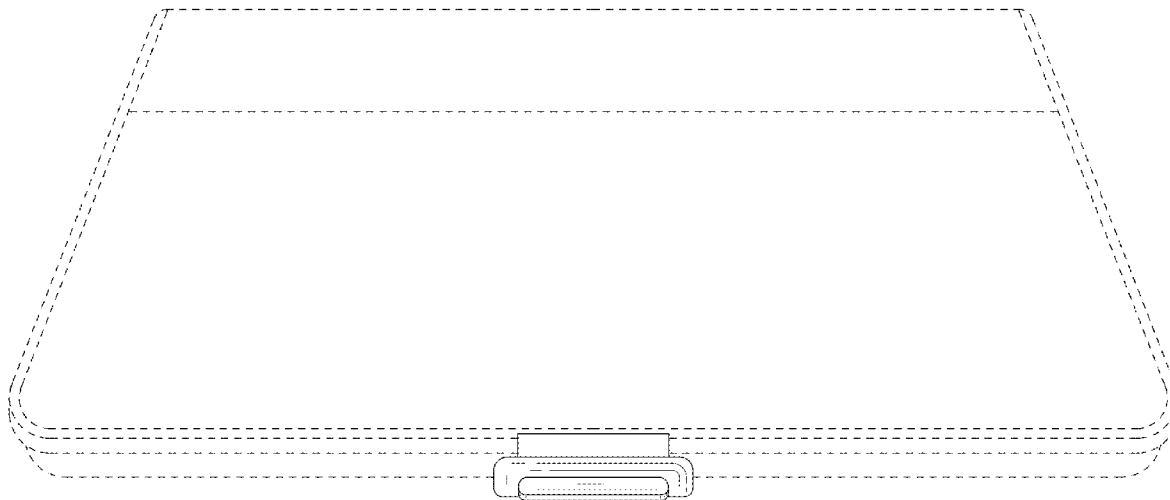
FIG. 5 is a bottom view of the clasp as it might be used on a
folio type case.

(56) **References Cited**

U.S. PATENT DOCUMENTS

D475,946 S * 6/2003 Fildan et al. D11/216
D540,651 S * 4/2007 Wolf, V D8/331

1 Claim, 4 Drawing Sheets



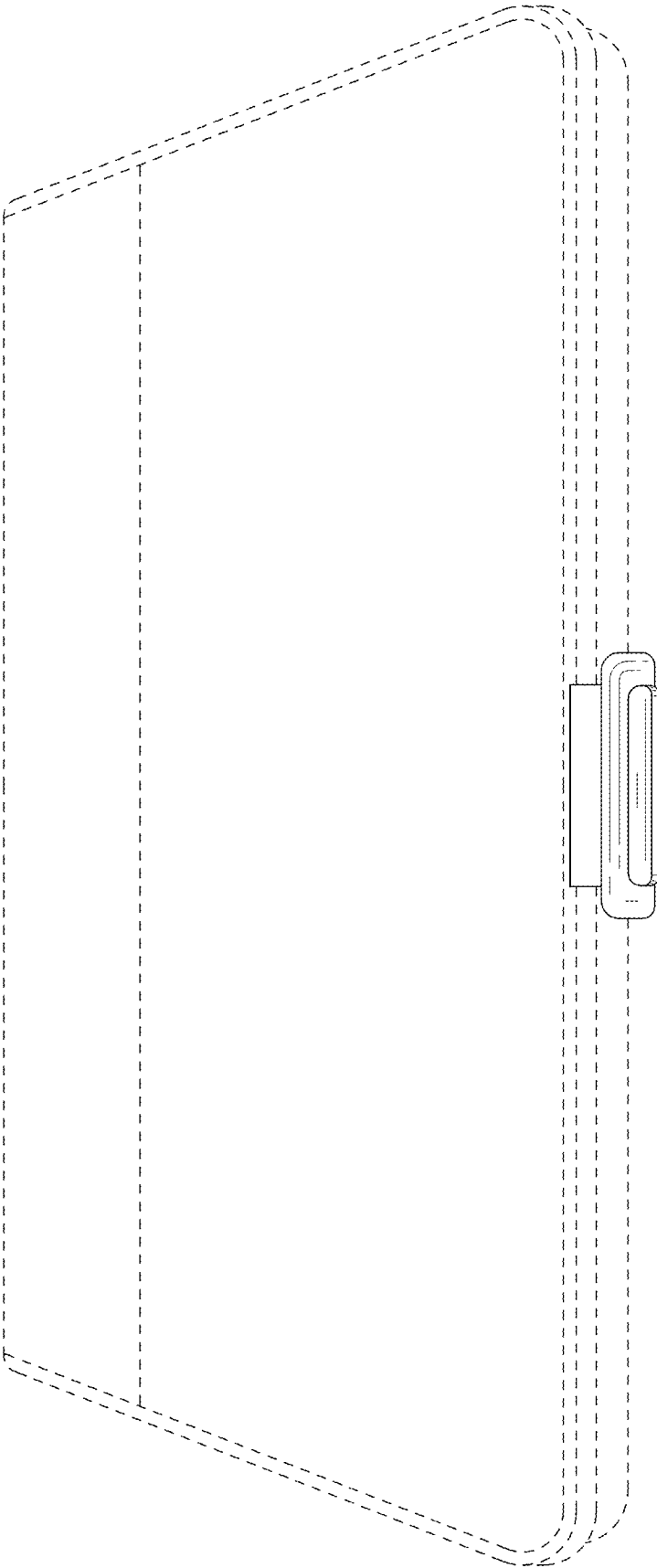


FIG. 1

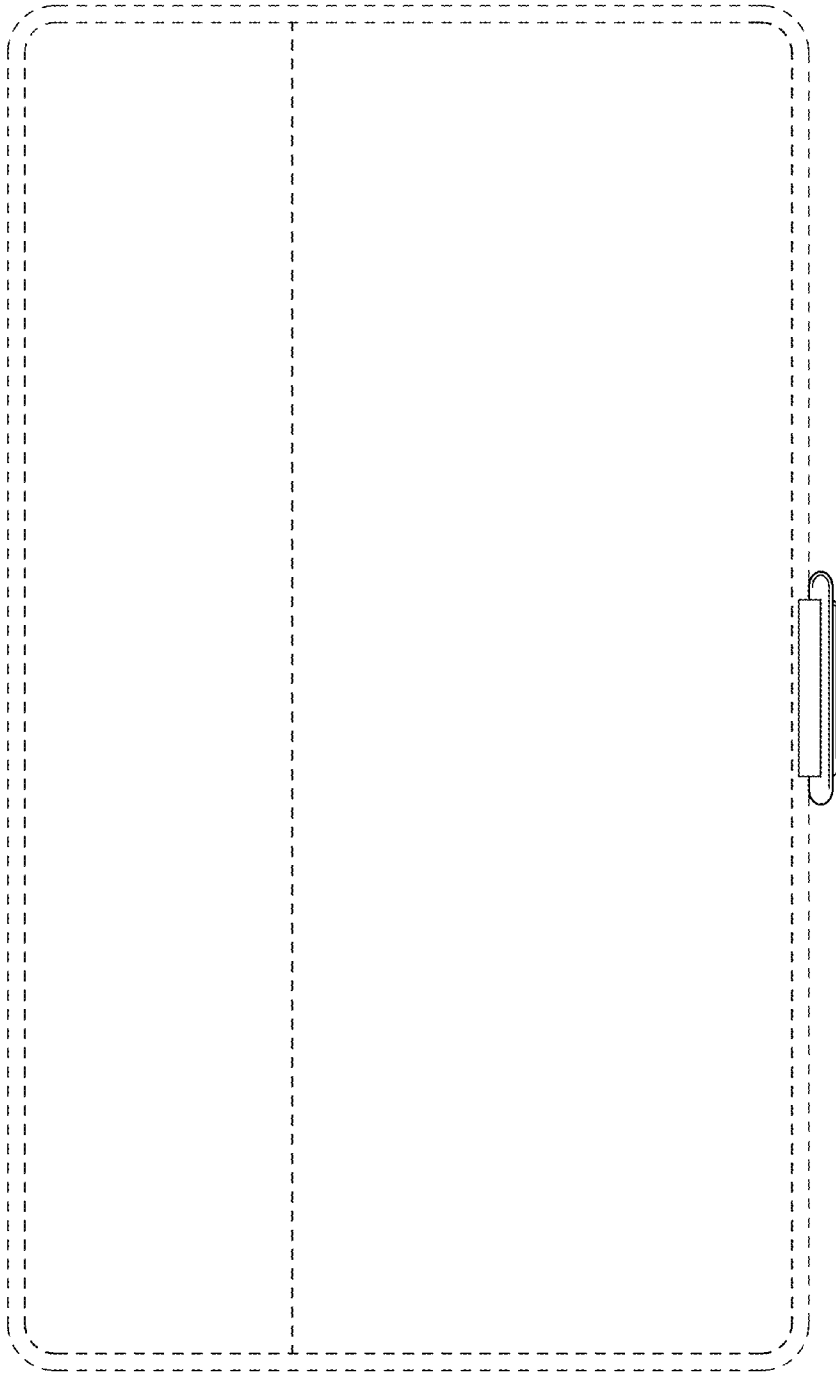


FIG. 2

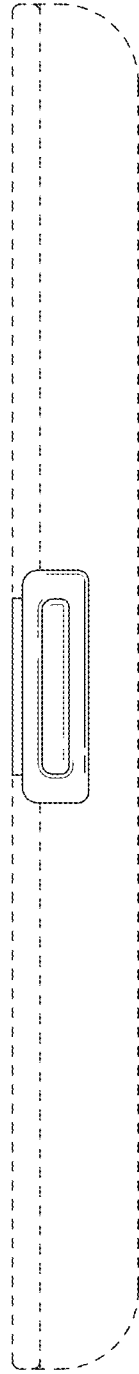


FIG. 3

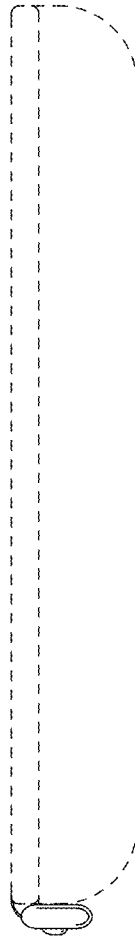


FIG. 4

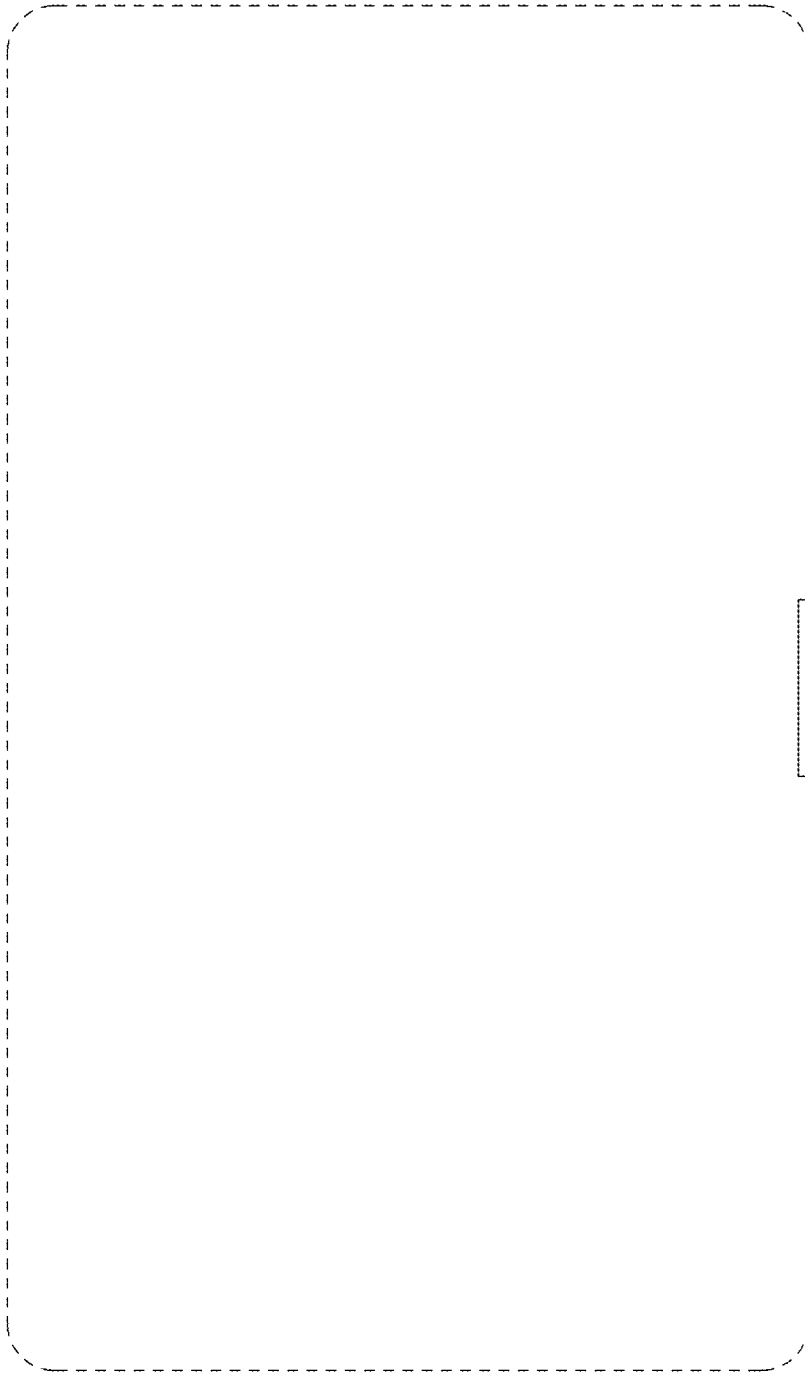


FIG. 5