



US00D730817S

(12) **United States Design Patent**
Parr et al.

(10) **Patent No.:** **US D730,817 S**
(45) **Date of Patent:** **** Jun. 2, 2015**

- (54) **TIRE TREAD**
- (71) Applicant: **Bridgestone Americas Tire Operations, LLC, Nashville, TN (US)**
- (72) Inventors: **Richard S. Parr, Canton, OH (US); Russell A. Moser, Louisville, OH (US); Domenic Giampaolo, Broadview Heights, OH (US)**
- (73) Assignee: **Bridgestone Americas Tire Operations, LLC, Nashville, TN (US)**
- (**) Term: **14 Years**
- (21) Appl. No.: **29/469,313**
- (22) Filed: **Oct. 9, 2013**
- (51) **LOC (10) Cl.** **12-15**
- (52) **U.S. Cl.**
USPC **D12/601**
- (58) **Field of Classification Search**
USPC D12/568-603; 152/209.1-209.28
CPC B60C 11/0304; B60C 11/1218; B60C 11/1236; B60C 11/1281; B60C 2011/1213; B60C 2200/06; B60C 1/00
See application file for complete search history.

- D402,935 S 12/1998 Oliver
- D402,937 S 12/1998 Robert
- D403,627 S 1/1999 Graas
- D405,731 S 2/1999 Custons, Jr. et al.
- D409,532 S 5/1999 Heinen
- D411,151 S 6/1999 Hubbell, Jr.
- D411,491 S 6/1999 Harden, Jr. et al.
- D411,819 S 7/1999 Blankenship et al.
- D414,449 S 9/1999 Schuster
- D415,450 S 10/1999 Williams
- D415,451 S 10/1999 Weber et al.
- D416,217 S * 11/1999 Guspodin et al. D12/600
- D418,783 S 1/2000 Lissan et al.
- D421,583 S 3/2000 Kemp, Jr.
- D421,942 S 3/2000 Fierro et al.
- D421,943 S 3/2000 Fierro et al.
- D422,246 S 4/2000 Fierro et al.
- D422,950 S 4/2000 Williams
- D423,423 S 4/2000 Guspodin et al.
- D426,502 S 6/2000 O'Neill et al.

(Continued)

Primary Examiner — George D Kirschbaum

Assistant Examiner — Jennifer Watkins

(74) *Attorney, Agent, or Firm* — Shaun J. Fox

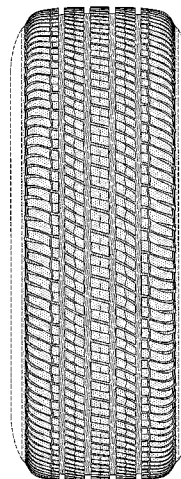
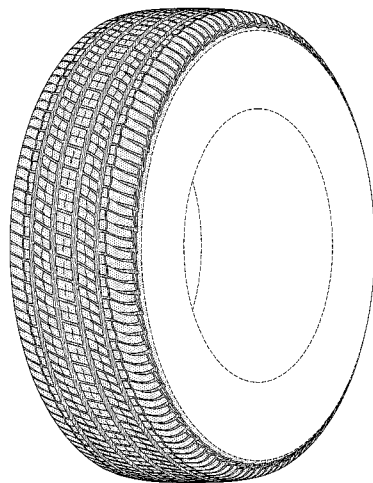
(57) **CLAIM**
The ornamental design for a tire tread, as shown and described.

DESCRIPTION

FIG. 1 is a side perspective view of a tire tread showing our new design, it being understood that the tread pattern is repeated throughout the circumference of the tire tread, the opposite side being the same as that shown; FIG. 2 is a front elevational view thereof, the opposite side being identical thereto; FIG. 3 is a side elevational view thereof; and, FIG. 4 is an enlarged front elevational view thereof. The broken lines defining the sidewall, inner bead, and the peripheral boundary between the claimed tire tread and the sidewall depict environmental subject matter that forms no part of the claimed design.

1 Claim, 4 Drawing Sheets

- (56) **References Cited**
U.S. PATENT DOCUMENTS
- D390,517 S 2/1998 Guspodin et al.
- D390,559 S 2/1998 Guspodin et al.
- D390,820 S 2/1998 Guspodin et al.
- D392,605 S 3/1998 Le et al.
- D394,030 S 5/1998 Lissan et al.
- 5,753,058 A 5/1998 Fukumoto et al.
- D397,653 S 9/1998 Heinen
- D397,654 S 9/1998 Heinen
- D398,890 S 9/1998 Harpes et al.
- D400,135 S 10/1998 Blankenship et al.
- D400,831 S 11/1998 Blankenship et al.
- D402,240 S 12/1998 Hubbell, Jr.



(56)

References Cited

U.S. PATENT DOCUMENTS

D426,795 S	6/2000	Oliver	D621,779 S	8/2010	Yonetsu
D428,368 S	7/2000	Harris et al.	D624,009 S	9/2010	Vandaele et al.
D430,082 S	8/2000	Blankenship et al.	D624,871 S	10/2010	Behr
6,102,092 A	8/2000	Radulescu	D626,910 S	11/2010	Bott et al.
6,116,309 A	9/2000	Gillard et al.	D627,711 S	11/2010	Grote
D432,959 S	10/2000	Lopez	7,836,926 B2	11/2010	Suzuki
6,142,200 A	11/2000	Feider et al.	D629,739 S	12/2010	Youn
D437,264 S	2/2001	Lassan et al.	D630,998 S	1/2011	Schmalix et al.
D440,529 S *	4/2001	Lassan et al. D12/586	7,878,228 B2	2/2011	Ito
D445,369 S	7/2001	Dumigan et al.	D633,433 S	3/2011	Sieber et al.
D445,370 S	7/2001	Allison	D634,261 S	3/2011	Schmalix et al.
D445,371 S	7/2001	Allison	D637,145 S	5/2011	Lippert et al.
D445,377 S	7/2001	Fantanzo et al.	D637,148 S	5/2011	Tamura
D445,380 S	7/2001	Fantanzo et al.	D637,149 S	5/2011	Yamaguchi
D445,731 S	7/2001	Fantanzo et al.	D637,150 S	5/2011	Koshio
D446,172 S	8/2001	Regallis	D637,546 S	5/2011	Yonetsu
6,286,573 B1	9/2001	Hine	D638,781 S	5/2011	Osaka
D450,267 S *	11/2001	Dixon et al. D12/600	D638,782 S	5/2011	Osaka
D450,270 S	11/2001	Baker	D639,722 S	6/2011	Sieber et al.
D451,865 S	12/2001	Clark et al.	D640,625 S	6/2011	Nobunaga
D452,199 S	12/2001	Robert et al.	D641,308 S	7/2011	Kojima
D454,331 S	3/2002	Fierro et al.	D641,309 S	7/2011	Takada
D455,378 S	4/2002	Wallet et al.	D641,310 S	7/2011	Larregain
D455,394 S	4/2002	Lassan et al.	7,980,280 B2	7/2011	Ohara
D458,582 S	6/2002	Rodicq et al.	D642,975 S	8/2011	Givens et al.
D459,291 S	6/2002	Ratliff, Jr. et al.	D643,800 S	8/2011	Riswanda
D460,406 S	7/2002	Guspodin	D643,804 S	8/2011	Dixon et al.
D461,765 S	8/2002	Nonaka	8,006,730 B2	8/2011	Ohara
D485,231 S	1/2004	Nonaka	D644,592 S	9/2011	Grabo et al.
D487,249 S	3/2004	Okamoto	D644,598 S	9/2011	Yokomakura
6,715,522 B1	4/2004	Wada	D646,217 S	10/2011	Muto
D497,875 S	11/2004	Le et al.	D646,626 S	10/2011	Murata
D498,458 S	11/2004	Lee et al.	D647,037 S	10/2011	Lo
D499,694 S	12/2004	Osaki et al.	D647,454 S	10/2011	Fabing et al.
6,868,879 B2	3/2005	Radulescu	D647,456 S	10/2011	Behr
D505,387 S	5/2005	Nonaka	D648,265 S	11/2011	Kim et al.
D512,683 S	12/2005	Dumigan et al.	D648,667 S	11/2011	Yonetsu
D517,470 S	3/2006	Welbes	D648,671 S	11/2011	Nobunaga
D524,721 S	7/2006	Dumigan et al.	D649,509 S	11/2011	Allison et al.
D531,111 S	10/2006	Fukunaga	8,047,243 B2	11/2011	Simon et al.
7,114,540 B2	10/2006	Miyazaki	D651,556 S	1/2012	Westaway
D535,940 S	1/2007	Lee et al.	D654,013 S	2/2012	Yonetsu
7,207,364 B2	4/2007	Hildebrand	D654,848 S	2/2012	Yonetsu
D554,054 S	10/2007	Welbes et al.	D656,083 S	3/2012	Mukai
D560,599 S *	1/2008	Dixon et al. D12/587	D658,116 S	4/2012	Chen
D563,861 S	3/2008	Foucher	D659,083 S	5/2012	Nguyen et al.
D564,957 S	3/2008	Yoshida et al.	D661,247 S	6/2012	Sareen
D566,040 S	4/2008	Diensthuber et al.	D662,458 S	6/2012	De Benedittis et al.
7,438,101 B2 *	10/2008	Shirouzu 152/209.15	D663,680 S	7/2012	Westaway
D579,865 S	11/2008	Matsuyama et al.	D666,551 S	9/2012	Schmidt-Zum Berge et al.
D580,848 S	11/2008	Hutz	D666,964 S	9/2012	Ishida et al.
D584,213 S	1/2009	Shinkai	D666,967 S	9/2012	Sareen
D584,680 S	1/2009	Hutz	D667,360 S	9/2012	Ishida et al.
D597,023 S	7/2009	Park	D667,779 S	9/2012	Murphy et al.
D604,231 S	11/2009	Hada	D668,209 S	10/2012	De Benedittis et al.
D605,580 S	12/2009	Williams	D669,841 S	10/2012	Kiwaki
D605,581 S	12/2009	Yamaguchi et al.	8,302,644 B2	11/2012	Takahashi
D608,725 S	1/2010	Ohara	D673,897 S	1/2013	Krier
D609,165 S	2/2010	Fujioka	D674,739 S	1/2013	Georges et al.
D609,175 S	2/2010	Feider et al.	D675,149 S	1/2013	Bruneau et al.
D613,238 S	4/2010	Harvey et al.	D675,979 S	2/2013	Ohara
D613,679 S	4/2010	Umstot et al.	D676,801 S	2/2013	Scheifele
D614,120 S *	4/2010	Marella et al. D12/594	D677,215 S	3/2013	Nakamura
D615,026 S	5/2010	Nakano	D677,617 S	3/2013	Hayashi
D615,480 S	5/2010	Jacobs	D708,119 S *	7/2014	Le et al. D12/600
D615,482 S	5/2010	Nakano	2007/0151646 A1	7/2007	Ito
D619,958 S	7/2010	Maxwell	2012/0234442 A1	9/2012	Mayni
			2013/0000803 A1	1/2013	Fugier

* cited by examiner

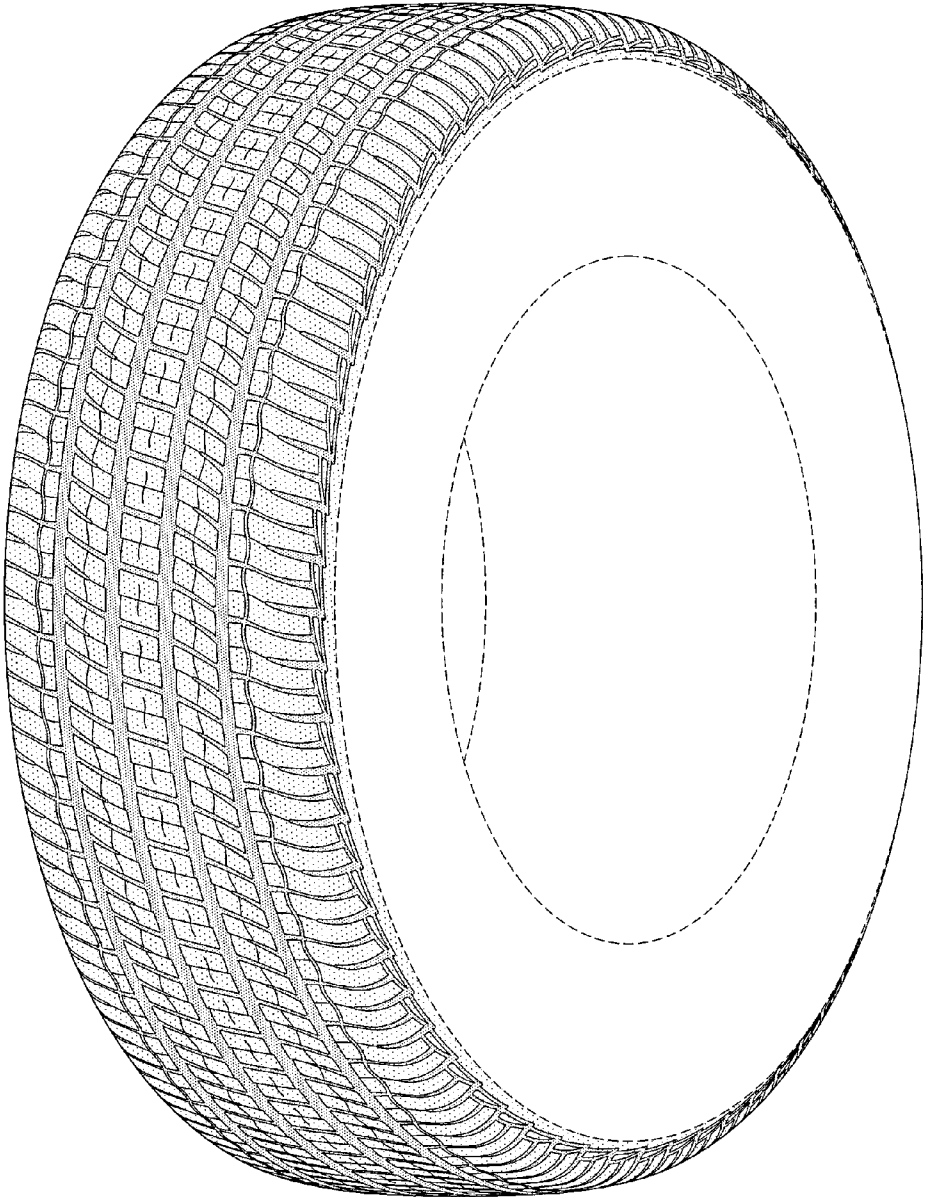


FIG-1

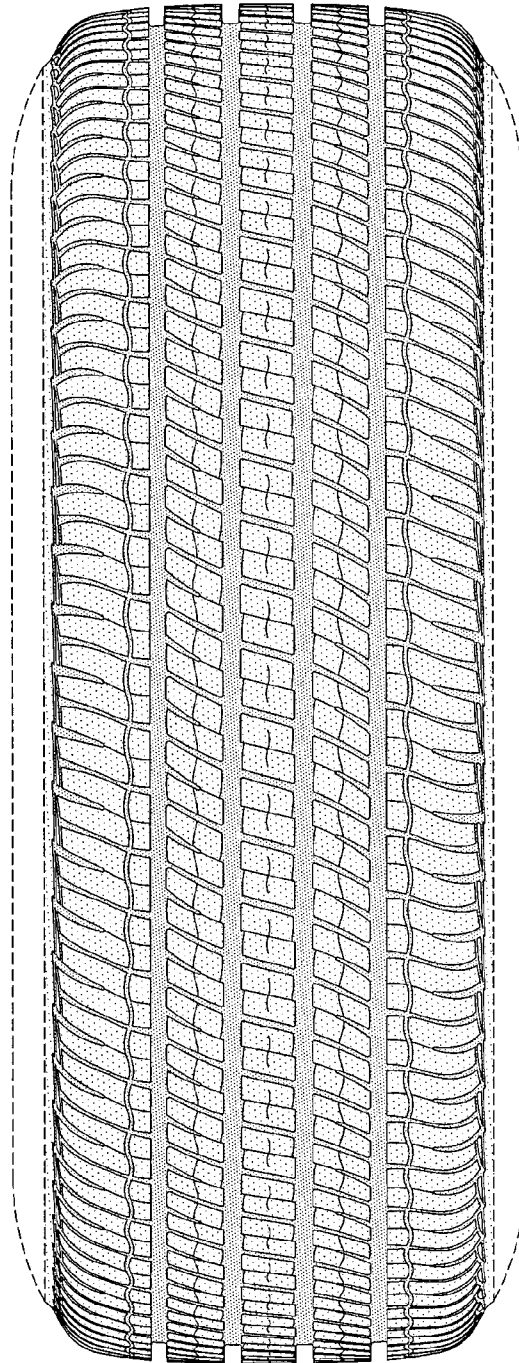


FIG-2

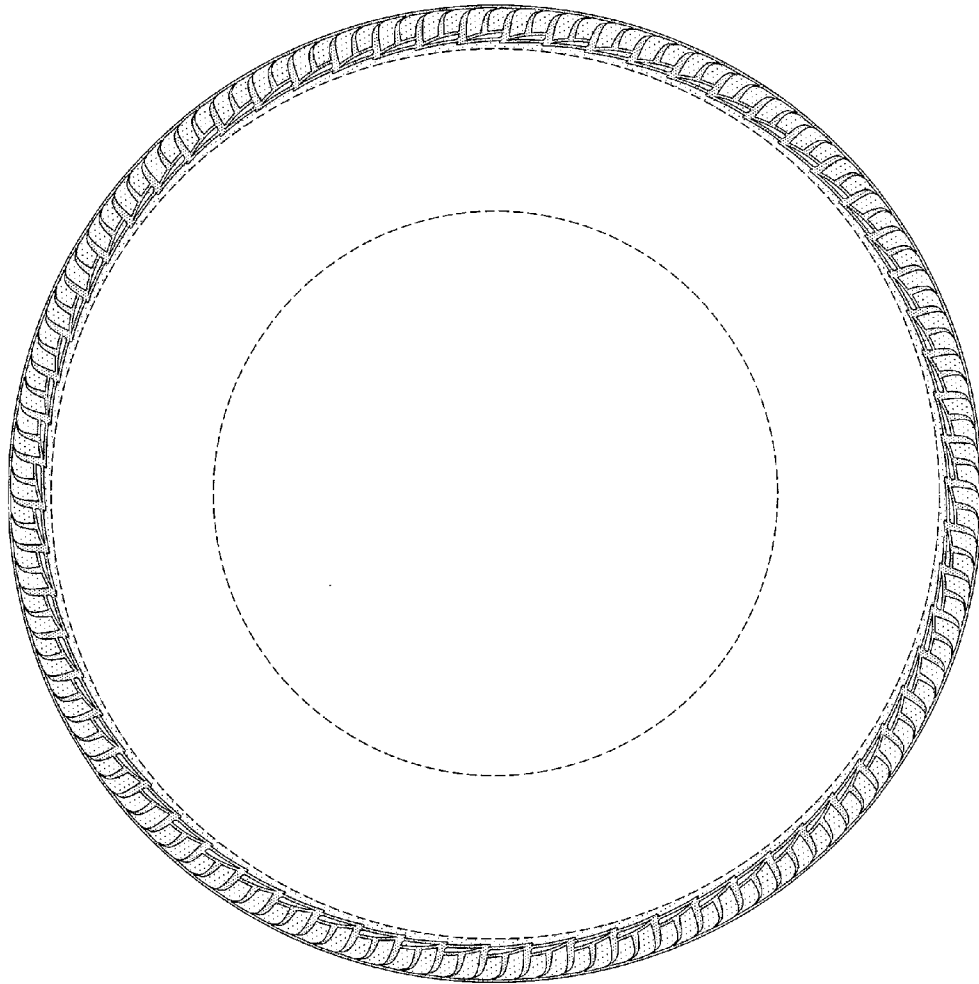


FIG-3

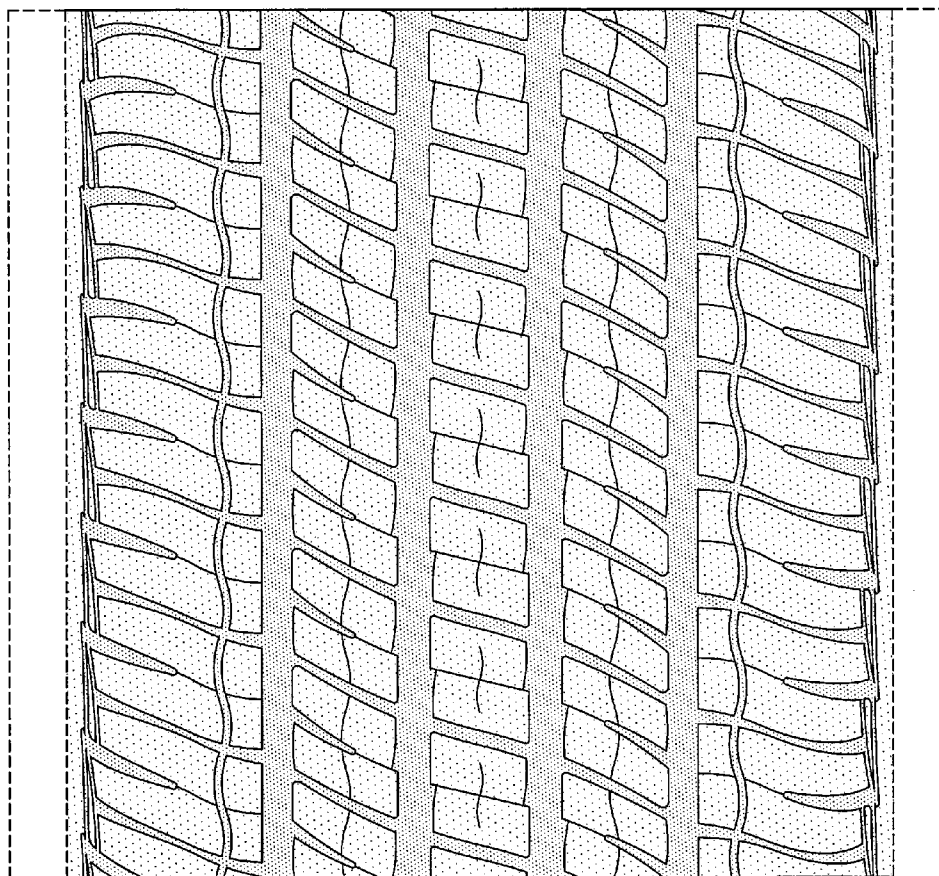


FIG-4