



US00D420102S

# United States Patent [19]

[11] Patent Number: **Des. 420,102**

Warshawsky et al.

[45] Date of Patent: **\*\* Feb. 1, 2000**

[54] LAVATORY SET

D. 405,160	2/1999	Lord	.....	D23/241
D. 406,318	3/1999	Lord	.....	D23/241
D. 406,876	3/1999	Ko	.....	D23/241

[75] Inventors: **Ari Zev Warshawsky**, New York;  
**Jerome Warshawsky**, Hewlett Harbor;  
**Frank Antoniello**, Commack, all of  
N.Y.

*Primary Examiner*—Eric Watterson  
*Attorney, Agent, or Firm*—Alfred M. Walker

[73] Assignee: **IW Industries Inc.**, Melville, N.Y.

[57] **CLAIM**

[\*\*] Term: **14 Years**

The ornamental design for a lavatory set, as shown and described.

[21] Appl. No.: **29/101,918**

**DESCRIPTION**

[22] Filed: **Mar. 12, 1999**

[51] **LOC (7) Cl.** ..... **23-01**

[52] **U.S. Cl.** ..... **D23/241**

[58] **Field of Search** ..... D23/238-243,  
D23/250-257; D8/300-310; 4/675-678;  
137/801

FIG. 1 is a perspective view of a lavatory set, showing our new design;

FIG. 2 is a right side elevational view thereof, the left side being a mirror image thereof;

FIG. 3 is a top plan view thereof;

FIG. 4 is a front elevational view thereof; and,

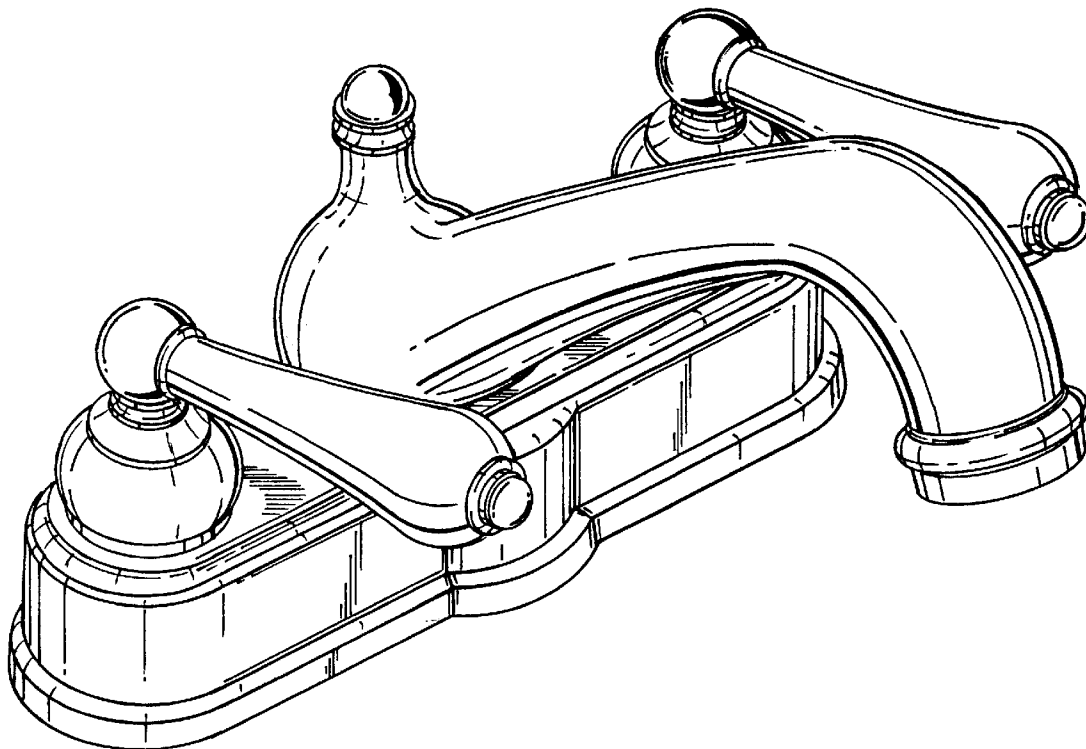
FIG. 5 is a rear view thereof.

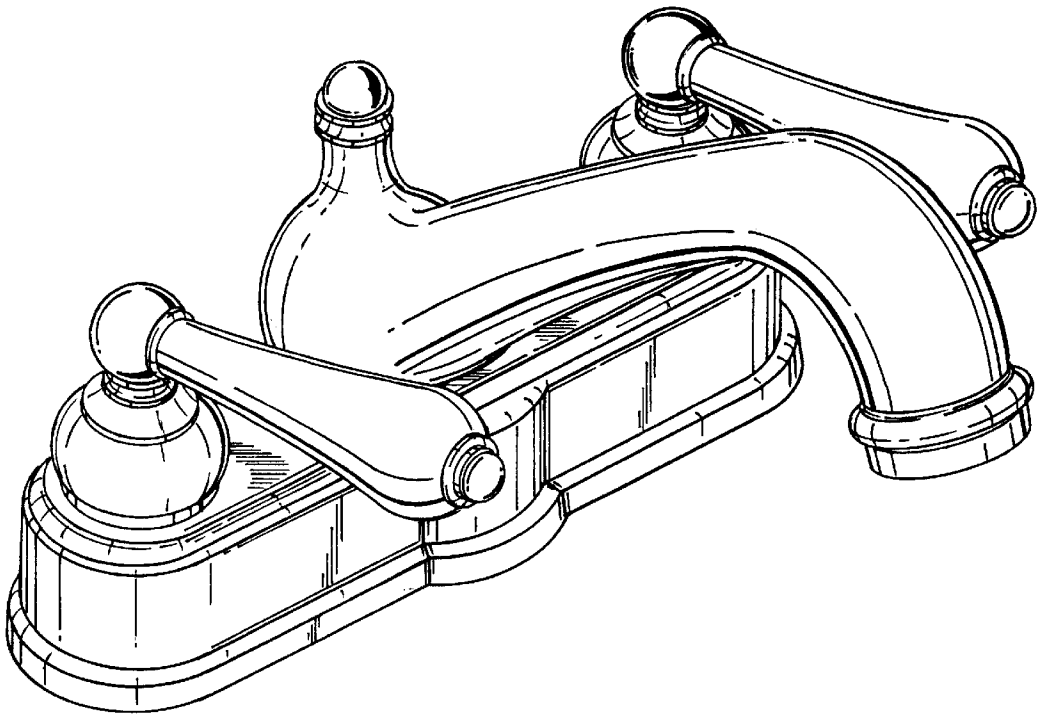
[56] **References Cited**

**U.S. PATENT DOCUMENTS**

D. 404,467 1/1999 Doughty et al. .... D23/242

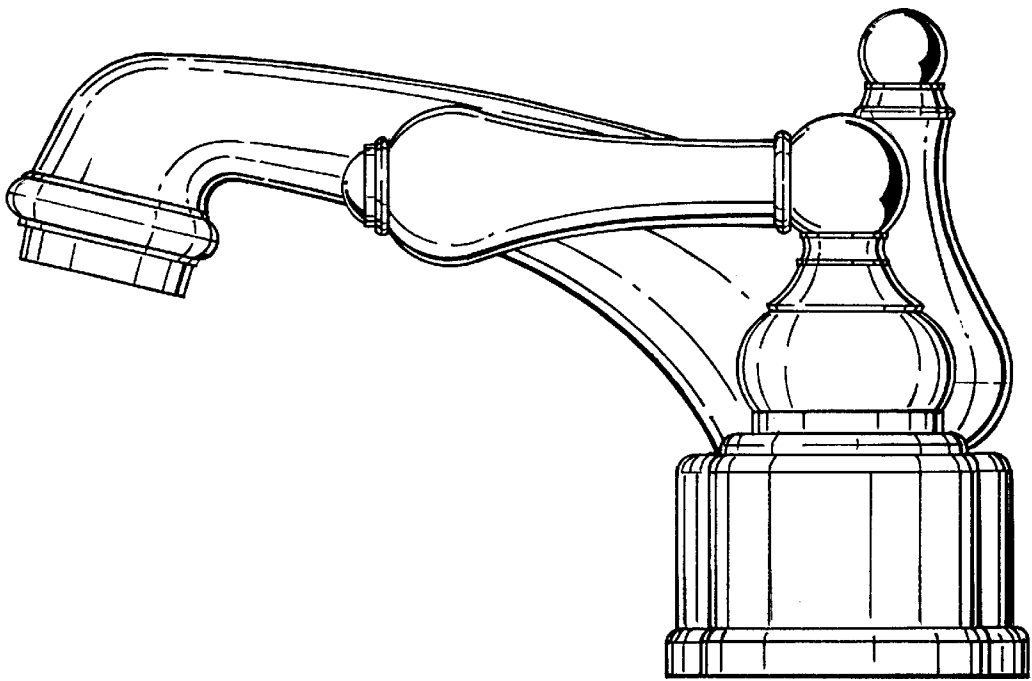
**1 Claim, 5 Drawing Sheets**

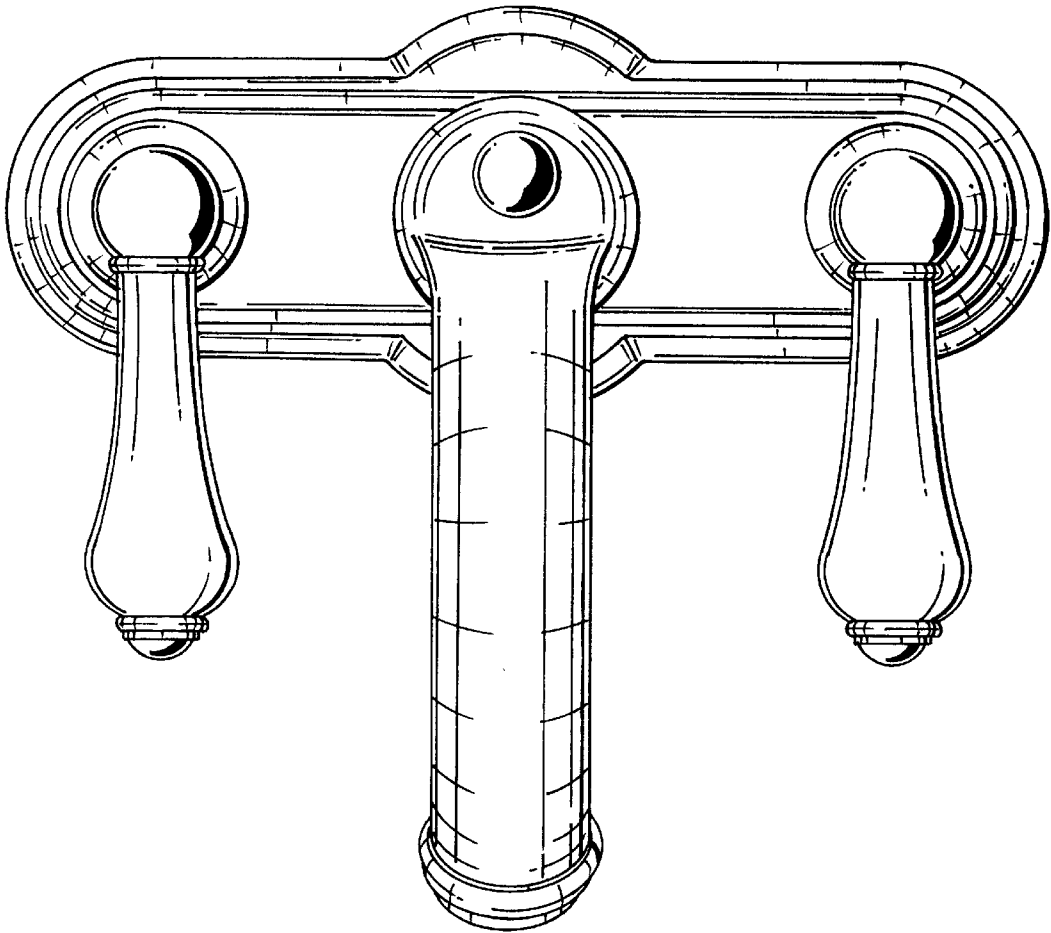




***Fig. 1***

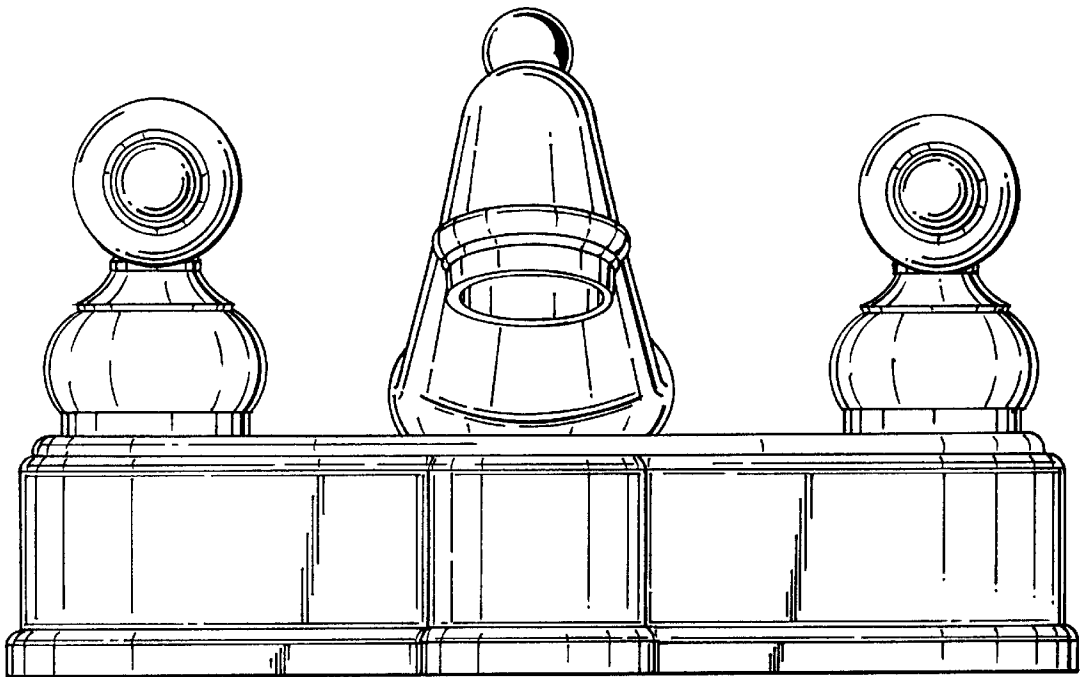
***Fig. 2***





**Fig. 3**

***Fig. 4***



***Fig. 5***

