

(19) World Intellectual Property Organization
International Bureau



(43) International Publication Date
27 December 2007 (27.12.2007)

PCT

(10) International Publication Number
WO 2007/150032 A3

(51) International Patent Classification:
H01L 21/00 (2006.01)

(21) International Application Number:
PCT/US2007/071905

(22) International Filing Date: 22 June 2007 (22.06.2007)

(25) Filing Language: English

(26) Publication Language: English

(30) Priority Data:
11/426,157 23 June 2006 (23.06.2006) US

(71) Applicant (for all designated States except US): TEXAS INSTRUMENTS INCORPORATED [US/US]; P.O. Box 655474, Mail Station 3999, Dallas, TX 75265-5474 (US).

(72) Inventor; and

(75) Inventor/Applicant (for US only): MATSUNAMI, Akira [JP/JP]; 13015, Naka-machi, Shonin, Beppu-city, Oita-pref, 874-0034 (JP).

(74) Agents: FRANZ, Warren, L. et al.; Texas Instruments Incorporated, Deputy General Patent Counsel, P.O. Box 655474, MS 3999, Dallas, TX 75265-5474 (US).

(81) Designated States (unless otherwise indicated, for every kind of national protection available): AE, AG, AL, AM, AT, AU, AZ, BA, BB, BG, BH, BR, BW, BY, BZ, CA, CH,

CN, CO, CR, CU, CZ, DE, DK, DM, DO, DZ, EC, EE, EG, ES, FI, GB, GD, GE, GH, GM, GT, HN, HR, HU, ID, IL, IN, IS, JP, KE, KG, KM, KN, KP, KR, KZ, LA, LC, LK, LR, LS, LT, LU, LY, MA, MD, ME, MG, MK, MN, MW, MX, MY, MZ, NA, NG, NI, NO, NZ, OM, PG, PH, PL, PT, RO, RS, RU, SC, SD, SE, SG, SK, SL, SM, SV, SY, TJ, TM, TN, TR, TT, TZ, UA, UG, US, UZ, VC, VN, ZA, ZM, ZW.

(84) Designated States (unless otherwise indicated, for every kind of regional protection available): ARIPO (BW, GH, GM, KE, LS, MW, MZ, NA, SD, SL, SZ, TZ, UG, ZM, ZW), Eurasian (AM, AZ, BY, KG, KZ, MD, RU, TJ, TM), European (AT, BE, BG, CH, CY, CZ, DE, DK, EE, ES, FI, FR, GB, GR, HU, IE, IS, IT, LT, LU, LV, MC, MT, NL, PL, PT, RO, SE, SI, SK, TR), OAPI (BF, BJ, CF, CG, CI, CM, GA, GN, GQ, GW, ML, MR, NE, SN, TD, TG).

Declarations under Rule 4.17:

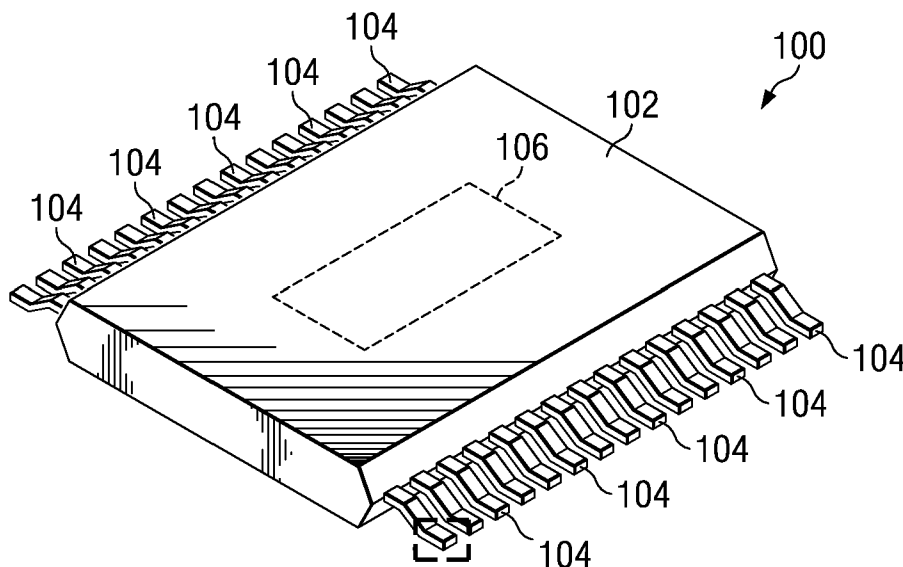
- as to applicant's entitlement to apply for and be granted a patent (Rule 4.17(ii))
- as to the applicant's entitlement to claim the priority of the earlier application (Rule 4.17(iii))

Published:

- with international search report
- before the expiration of the time limit for amending the claims and to be republished in the event of receipt of amendments

(88) Date of publication of the international search report:
24 April 2008

(54) Title: SOLDERABILITY IMPROVEMENT METHOD FOR LEADED SEMICONDUCTOR PACKAGE



(57) Abstract: A microelectronic device package (100) that includes a microelectronic device (106) encapsulated within a packaging material (102). The microelectronic device package also includes a lead (104) attached to a portion of the microelectronic device extending through the packaging material. The lead has a break portion and a non-break portion on a tip of the lead.



WO 2007/150032 A3

INTERNATIONAL SEARCH REPORT

International application No.

PCT/US 07/71905

A. CLASSIFICATION OF SUBJECT MATTER

IPC(8) - H01L 21/00 (2007.10)

USPC - 438/106

According to International Patent Classification (IPC) or to both national classification and IPC

B. FIELDS SEARCHED

Minimum documentation searched (classification system followed by classification symbols)

IPC(8) : H01L 21/00 (2007.10)

USPC : 438/106

Documentation searched other than minimum documentation to the extent that such documents are included in the fields searched
USPC : 438/106, search terms below.

Electronic data base consulted during the international search (name of data base and, where practicable, search terms used)

PubWEST (USPT,PGPB,EPAB,JPAB); Google Scholar, Google.

Search terms: packaging, device, die, encapsulation, break, lead, groove, copper, nickel, palladium, bismuth, gold, SOP, QFP

C. DOCUMENTS CONSIDERED TO BE RELEVANT

Category*	Citation of document, with indication, where appropriate, of the relevant passages	Relevant to claim No.
X	US 2005/0212142 A1 (MIYAZAKI et al.) 29 September 2005 (29.09.2005); Abstract, paras [0005]-[0007], [0023], [0030], [0042], [0049], [0060], [0229], [0236], [0284], [0352] and [0430].	1-9, 12
Y		10 and 11.
Y	US 4,918,511 A (BROWN) 17 April 1990 (17.04.1990); col 2, ln 60-63.	10 and 11.

 Further documents are listed in the continuation of Box C.

* Special categories of cited documents:

"A" document defining the general state of the art which is not considered to be of particular relevance

"E" earlier application or patent but published on or after the international filing date

"L" document which may throw doubts on priority claim(s) or which is cited to establish the publication date of another citation or other special reason (as specified)

"O" document referring to an oral disclosure, use, exhibition or other means

"P" document published prior to the international filing date but later than the priority date claimed

"T" later document published after the international filing date or priority date and not in conflict with the application but cited to understand the principle or theory underlying the invention

"X" document of particular relevance; the claimed invention cannot be considered novel or cannot be considered to involve an inventive step when the document is taken alone

"Y" document of particular relevance; the claimed invention cannot be considered to involve an inventive step when the document is combined with one or more other such documents, such combination being obvious to a person skilled in the art

"&" document member of the same patent family

Date of the actual completion of the international search

21 December 2007 (21.12.2007)

Date of mailing of the international search report

25 FEB 2008

Name and mailing address of the ISA/US

Mail Stop PCT, Attn: ISA/US, Commissioner for Patents
P.O. Box 1450, Alexandria, Virginia 22313-1450

Facsimile No. 571-273-3201

Authorized officer:

Lee W. Young

PCT Helpdesk: 571-272-4300
PCT OSP: 571-272-7774