



US00D581279S

(12) **United States Design Patent**
Oates

(10) **Patent No.:** **US D581,279 S**

(45) **Date of Patent:** **** Nov. 25, 2008**

(54) **JAR**

(75) Inventor: **Benjamin Phalan Oates, Kent (GB)**

(73) Assignee: **Conopco, Inc., Englewood Cliffs, NJ (US)**

(**) Term: **14 Years**

(21) Appl. No.: **29/293,917**

(22) Filed: **Dec. 18, 2007**

(30) **Foreign Application Priority Data**

Jun. 18, 2007 (GB) 4003201

(51) **LOC (8) Cl.** **09-01**

(52) **U.S. Cl.** **D9/529; D9/549; D9/435; D9/454; D28/76; D28/82**

(58) **Field of Classification Search** **D9/682, D9/686-694, 504, 529, 549, 552, 558, 435, D9/454; D28/4, 7, 76, 82; 215/379, 382-384; 220/660, 669, 670; 206/581, 235, 823**
See application file for complete search history.

(56) **References Cited**

U.S. PATENT DOCUMENTS

- D24,991 S * 12/1895 Estes D9/504
- D28,637 S * 5/1898 Estes D9/504
- 1,860,550 A * 5/1932 Pfeiffer 206/581
- D223,691 S * 5/1972 Newman D28/76 X
- D256,778 S * 9/1980 Stahel, II D9/504
- D398,079 S * 9/1998 Denison D28/82
- D402,894 S * 12/1998 Elia D9/504
- D411,747 S * 6/1999 Kokenge et al. D9/454 X
- 6,029,842 A * 2/2000 Sheffler et al. 220/288
- D434,324 S * 11/2000 Gobe D9/504
- D434,667 S * 12/2000 Gobe D9/529

- D442,338 S * 5/2001 Roman D28/82
- D446,456 S * 8/2001 Adachi et al. D9/529
- D474,405 S * 5/2003 Togasawa D9/504
- D476,893 S * 7/2003 Pinnavaia D9/454
- D495,956 S * 9/2004 Martinez D9/529
- D512,914 S * 12/2005 Moretti D9/454
- D520,370 S * 5/2006 Priestman D9/529
- D525,136 S * 7/2006 Bakic D28/82 X
- D530,607 S * 10/2006 Cornet et al. D9/445
- 2004/0069677 A1 * 4/2004 Baudin 206/581

FOREIGN PATENT DOCUMENTS

- GB 1051033 * 12/1988
- GB 2071573 * 5/1998

* cited by examiner

Primary Examiner—Carol Rademaker

(74) *Attorney, Agent, or Firm*—Milton L. Honig

(57) **CLAIM**

The ornamental design for a jar, substantially as shown and described.

DESCRIPTION

FIG. 1 is a top, front, and right side perspective view of my jar;

FIG. 2 is a front elevational view thereof;

FIG. 3 is a rear elevational view thereof;

FIG. 4 is a right side elevational view thereof;

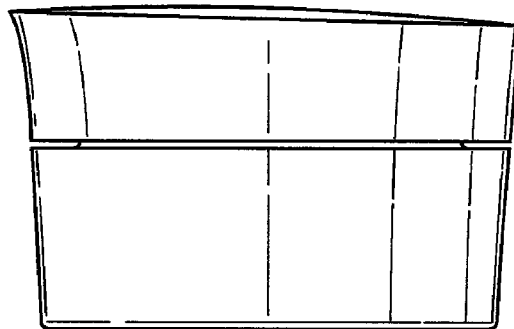
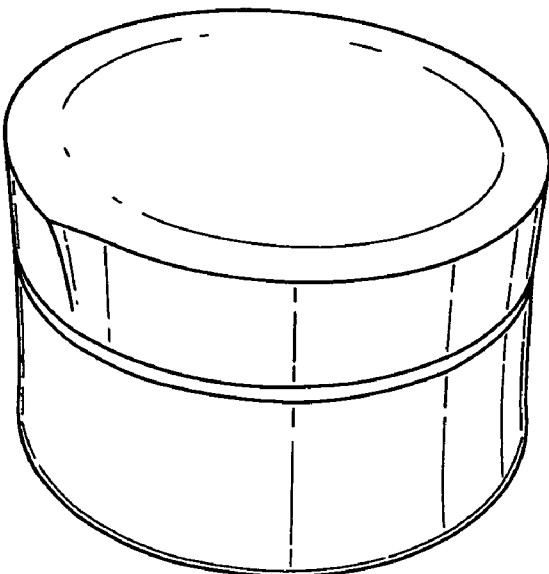
FIG. 5 is a left side elevational view thereof;

FIG. 6 is a top plan view thereof; and,

FIG. 7 is a bottom plan view thereof.

The broken line showing of a portion of the bottom surface is included for the purpose of showing environmental structure that forms no part of the claimed design.

1 Claim, 2 Drawing Sheets



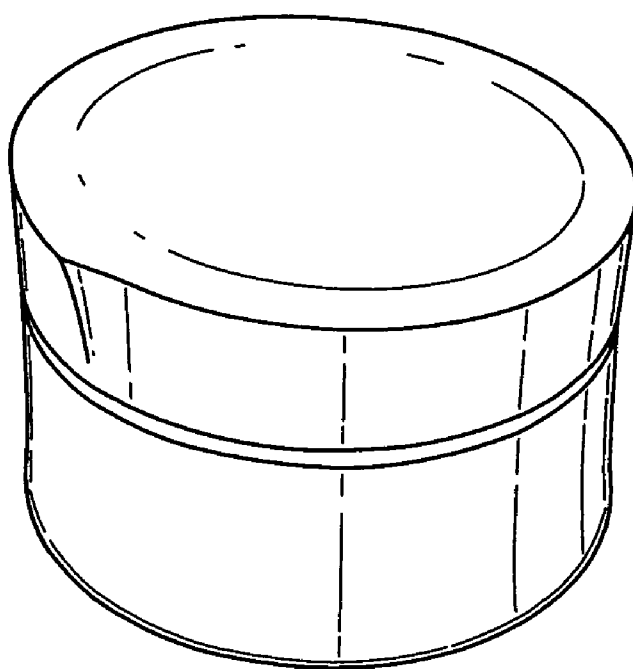


Fig. 1.

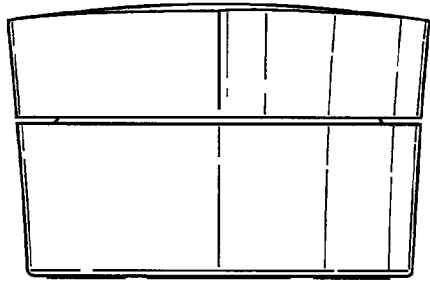


Fig.2.

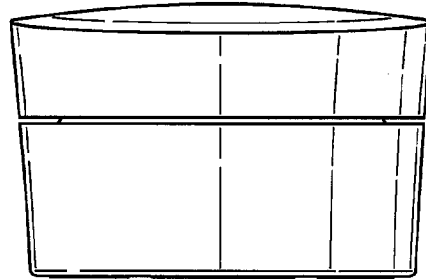


Fig.3.

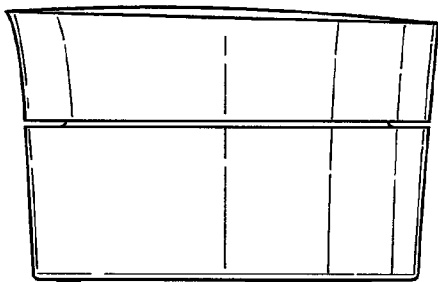


Fig.4.

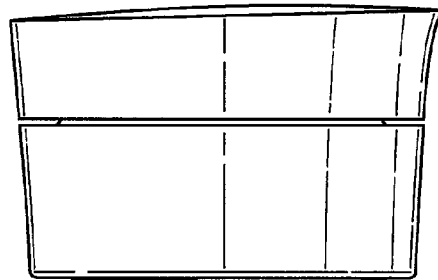


Fig.5.

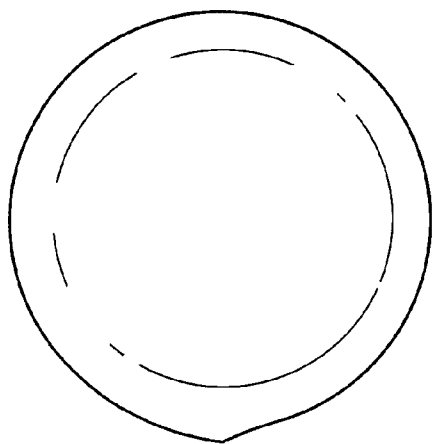


Fig.6.

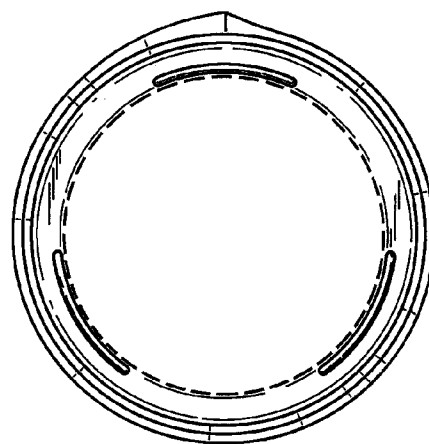


Fig.7.

UNITED STATES PATENT AND TRADEMARK OFFICE
CERTIFICATE OF CORRECTION

PATENT NO. : Des. 581,279 S
APPLICATION NO. : 29/293917
DATED : December 18, 2007
INVENTOR(S) : Benjamin Phalan Oates

Page 1 of 1

It is certified that error appears in the above-identified patent and that said Letters Patent is hereby corrected as shown below:

Title page, item [73] Assignee: should read as following: Conopco, Inc. d/b/a Unilever, Englewood Cliffs, NJ

Signed and Sealed this

Sixth Day of January, 2009

A handwritten signature in black ink that reads "Jon W. Dudas". The signature is written in a cursive style with a large, stylized initial "J".

JON W. DUDAS
Director of the United States Patent and Trademark Office

UNITED STATES PATENT AND TRADEMARK OFFICE
CERTIFICATE OF CORRECTION

PATENT NO. : Des. 581,279 S
APPLICATION NO. : 29/293917
DATED : November 25, 2008
INVENTOR(S) : Benjamin Phalan Oates

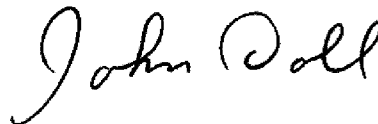
Page 1 of 1

It is certified that error appears in the above-identified patent and that said Letters Patent is hereby corrected as shown below:

Title page, item [73] Assignee: should read as following: Conopco, Inc. d/b/a Unilever, Englewood Cliffs, NJ

This certificate supersedes the Certificate of Correction issued January 6, 2009.

Signed and Sealed this
Third Day of February, 2009



JOHN DOLL
Acting Director of the United States Patent and Trademark Office