



US00D817309S

(12) **United States Design Patent**
Czaniecki et al.

(10) **Patent No.:** **US D817,309 S**

(45) **Date of Patent:** **** May 8, 2018**

- (54) **PAIR OF HEADPHONES**
- (71) Applicant: **AKG Acoustics GmbH**, Vienna (AT)
- (72) Inventors: **Rafal Czaniecki**, Shenzhen (CN);
Laurent Lindenberger, Shenzhen (CN)
- (73) Assignee: **AKG Acoustics GmbH**, Vienna (AT)
- (**) Term: **15 Years**
- (21) Appl. No.: **29/588,699**

- 2,805,332 A * 9/1957 Bell H04B 1/088
329/370
- 2,910,679 A * 10/1959 Baldwin B60K 28/06
200/61.47
- 2,971,065 A * 2/1961 Busse H04R 25/456
381/104

(Continued)

Primary Examiner — Paula Allen Greene
(74) *Attorney, Agent, or Firm* — Plumsea Law Group, LLC

- (22) Filed: **Dec. 22, 2016**
- (51) **LOC (11) Cl.** **14-01**
- (52) **U.S. Cl.**
USPC **D14/223; D14/205**
- (58) **Field of Classification Search**
USPC D14/223, 205; 181/129, 130, 135;
379/430, 431; 381/380, 381, 375, 374,
381/74; 455/90.3, 575.1, 569.1;
D24/174; 128/864, 865, 866
CPC H04R 1/10; H04R 25/00; H04R 1/1066;
H04R 1/1016; H04R 5/033; H04R 5/0335
See application file for complete search history.

(57) **CLAIM**

The ornamental design for a pair of headphones, as shown and described.

DESCRIPTION

FIG. 1 is a perspective view of a first headphone of a pair of headphones showing the new design;
 FIG. 2 is a front elevational view thereof;
 FIG. 3 is a rear elevational view thereof;
 FIG. 4 is a side elevational view of one side thereof;
 FIG. 5 is a side elevational view of the opposite side thereof;
 FIG. 6 is a top plan view thereof;
 FIG. 7 is a bottom plan view thereof;
 FIG. 8 is a perspective view of a second, opposite-handed headphone of the pair of headphones showing our new design;
 FIG. 9 is a front elevational view thereof;
 FIG. 10 is a rear elevational view thereof;
 FIG. 11 is a side elevational view of one side thereof;
 FIG. 12 is a side elevational view of the opposite side thereof;
 FIG. 13 is a top plan view thereof; and,
 FIG. 14 is a bottom plan view thereof.

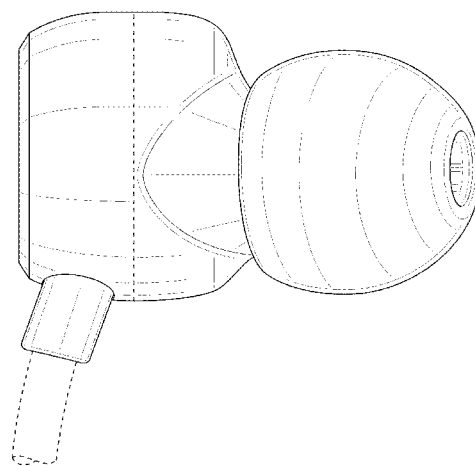
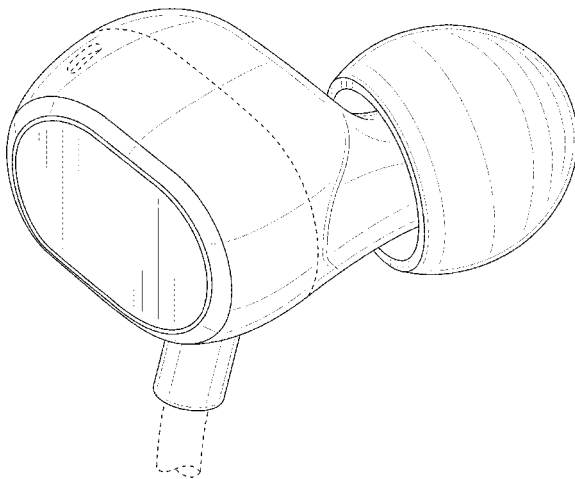
The broken lines immediately adjacent the shaded areas represent the bounds of the claimed design, while all other broken lines are directed to environment and are for illustrative purposes only; the broken lines form no part of the claimed design.

(56) **References Cited**

U.S. PATENT DOCUMENTS

- 1,312,493 A * 8/1919 Theis A61F 11/14
128/866
- 1,624,144 A * 4/1927 Mathieu H04R 1/1016
181/129
- 1,668,890 A * 5/1928 Curran H04R 1/1016
181/130
- 1,668,910 A * 5/1928 Jones H04R 1/1016
181/130
- 2,377,739 A * 6/1945 Wyckoff A61F 11/008
181/132
- 2,595,672 A * 5/1952 Greenwood H04R 25/65
24/113 MP
- 2,754,365 A * 7/1956 Walters H04R 1/225
181/132

1 Claim, 14 Drawing Sheets



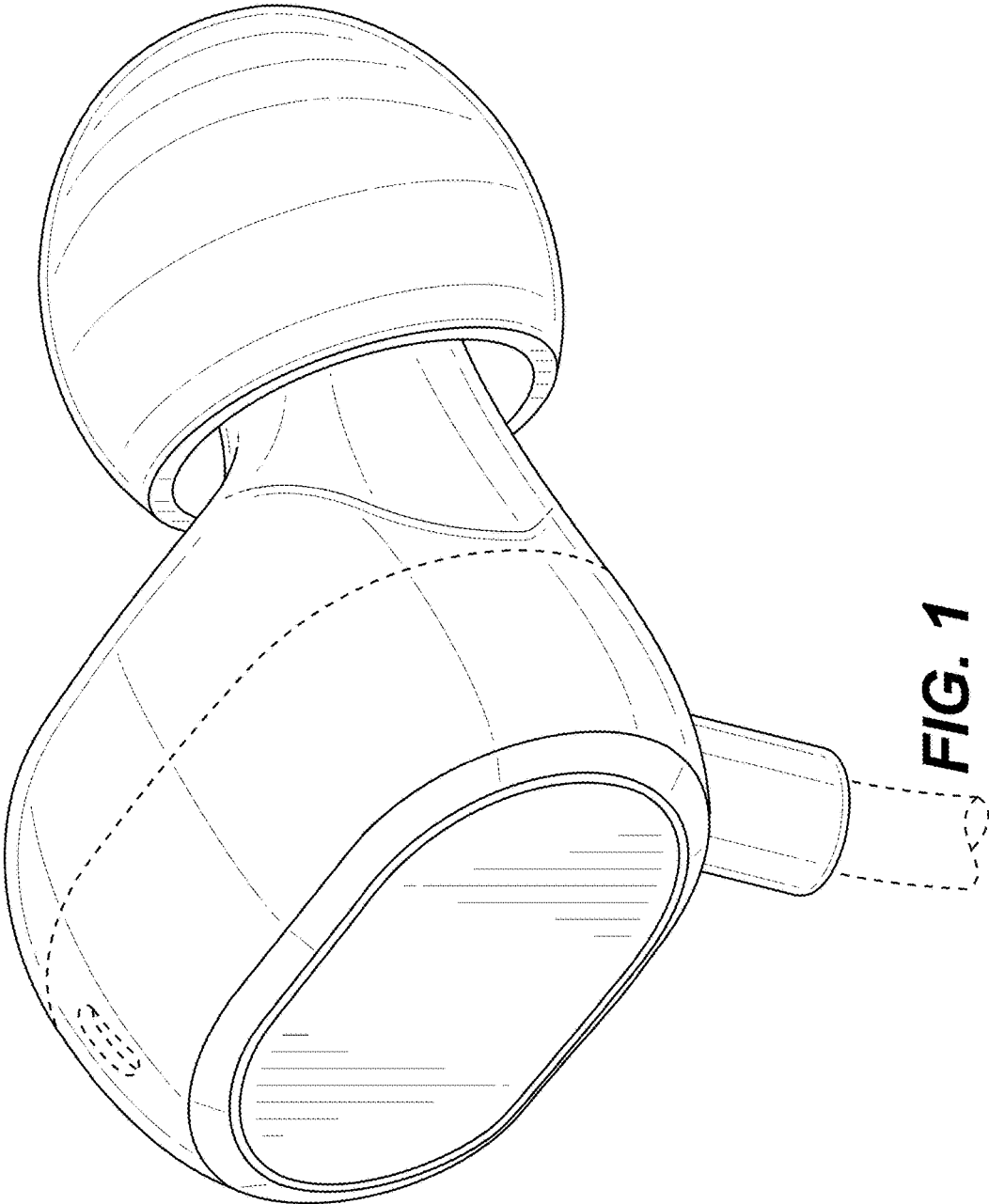
(56)

References Cited

U.S. PATENT DOCUMENTS

3,234,467	A *	2/1966	Haveson	H01Q 1/24	7,120,267	B2 *	10/2006	Ito	H04M 1/05
				334/76					381/370
3,324,253	A *	6/1967	Uemura	H04R 11/06	D588,111	S *	3/2009	Komiyama	D14/223
				381/189	D603,380	S *	11/2009	Hutchieson	D14/223
3,440,365	A *	4/1969	Hazell	H04M 1/05	D637,997	S *	5/2011	Peller	D14/205
				379/430	D637,999	S *	5/2011	Brunner	D14/205
3,457,375	A *	7/1969	Haggerty	H04R 25/456	D641,010	S *	7/2011	Kwon	D14/223
				381/322	D652,817	S *	1/2012	Lee	D14/205
D215,675	S *	10/1969	Yran	D13/114	D652,822	S *	1/2012	Lee	D14/223
3,730,181	A *	5/1973	Fling	A61F 11/08	D654,056	S *	2/2012	Hoggarth	D14/205
				128/868	D666,581	S *	9/2012	Perez	D14/223
3,821,647	A *	6/1974	Minasian	H03D 1/10	8,275,166	B2 *	9/2012	Wu	H04R 25/00
				381/380					381/328
D236,988	S *	9/1975	Walters	D14/223	D685,764	S *	7/2013	Coulter	D14/205
4,069,400	A *	1/1978	Johanson	H04R 25/60	D699,226	S *	2/2014	Yoon	D14/206
				381/322	8,776,801	B2 *	7/2014	McIntosh	A61F 11/08
4,457,396	A *	7/1984	James	H04R 1/345					128/864
				181/129	D711,356	S *	8/2014	Yang	D14/223
4,539,708	A *	9/1985	Norris	H04B 1/088	D719,550	S *	12/2014	Yang	D14/223
				455/100	D725,082	S *	3/2015	Palmborg	D14/223
4,585,089	A *	4/1986	Topholm	H04R 25/65	8,983,108	B2 *	3/2015	Ho	H04R 1/1016
				181/130					181/135
D287,764	S *	1/1987	Topholm	D24/174	D726,145	S *	4/2015	Hsieh	D14/205
D287,765	S *	1/1987	Topholm	D24/174	D727,871	S *	4/2015	Orbach	D14/205
D295,173	S *	4/1988	Oren	D14/168	D733,102	S *	6/2015	Palmborg	D14/223
5,054,079	A *	10/1991	Frielingsdorf	H04R 1/46	D735,169	S *	7/2015	Shieh	D14/223
				379/430	9,087,506	B1 *	7/2015	Kraft	G10L 21/0232
D321,881	S *	11/1991	Hopewell	D14/192	9,131,308	B2 *	9/2015	Kraft	G10L 21/0232
D348,066	S *	6/1994	Lucey	D14/205	D742,861	S *	11/2015	Miyake	D14/223
D417,465	S *	12/1999	Kreitz	D14/192	D764,445	S *	8/2016	Czaniecki	D14/223
6,122,388	A *	9/2000	Feldman	H04R 25/604	D773,032	S *	11/2016	Palmborg	D24/106
				381/322	D777,710	S *	1/2017	Palmborg	D14/223
D477,593	S *	7/2003	Komiyama	D14/223	9,565,491	B2 *	2/2017	Baker	H04R 1/1083
D477,822	S *	7/2003	Komiyama	D14/223	D781,269	S *	3/2017	Choe	D14/223
D481,709	S *	11/2003	Solderits	D14/223	D782,997	S *	4/2017	Shin	D14/205
D505,411	S *	5/2005	Sakai	D14/192	D782,998	S *	4/2017	Shin	D14/205
D519,108	S *	4/2006	Yang	D14/223	D798,843	S *	10/2017	Valenzuela	D14/223
					2007/0263896	A1 *	11/2007	Chen	H04R 1/105
									381/381

* cited by examiner



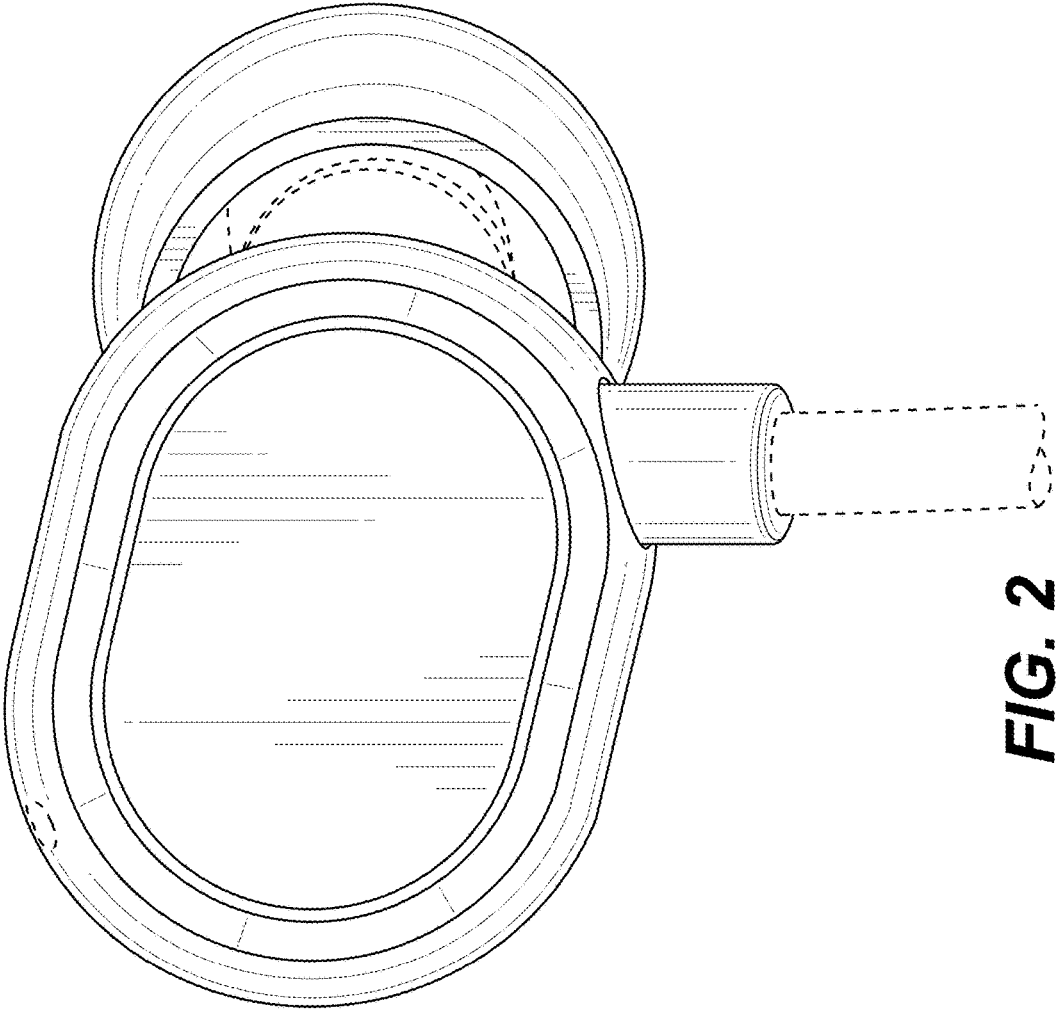


FIG. 2

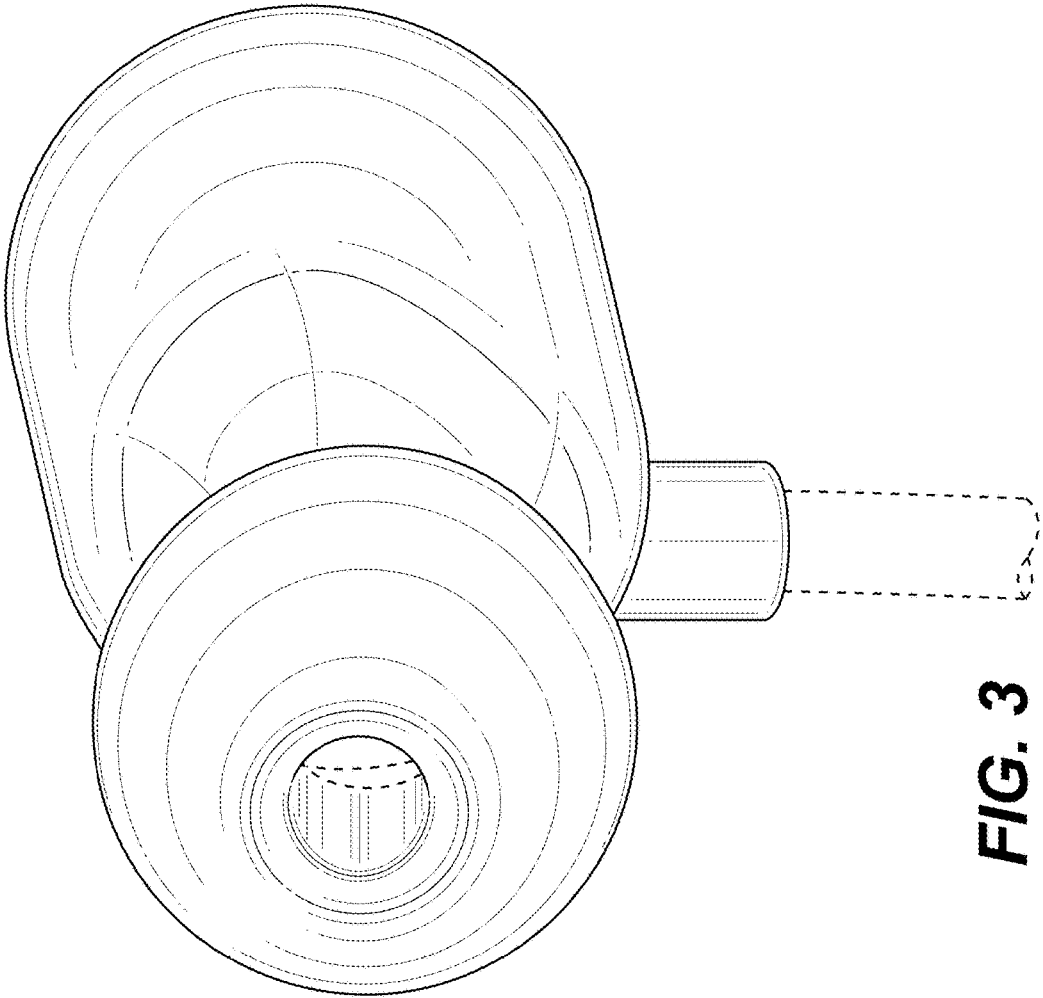


FIG. 3

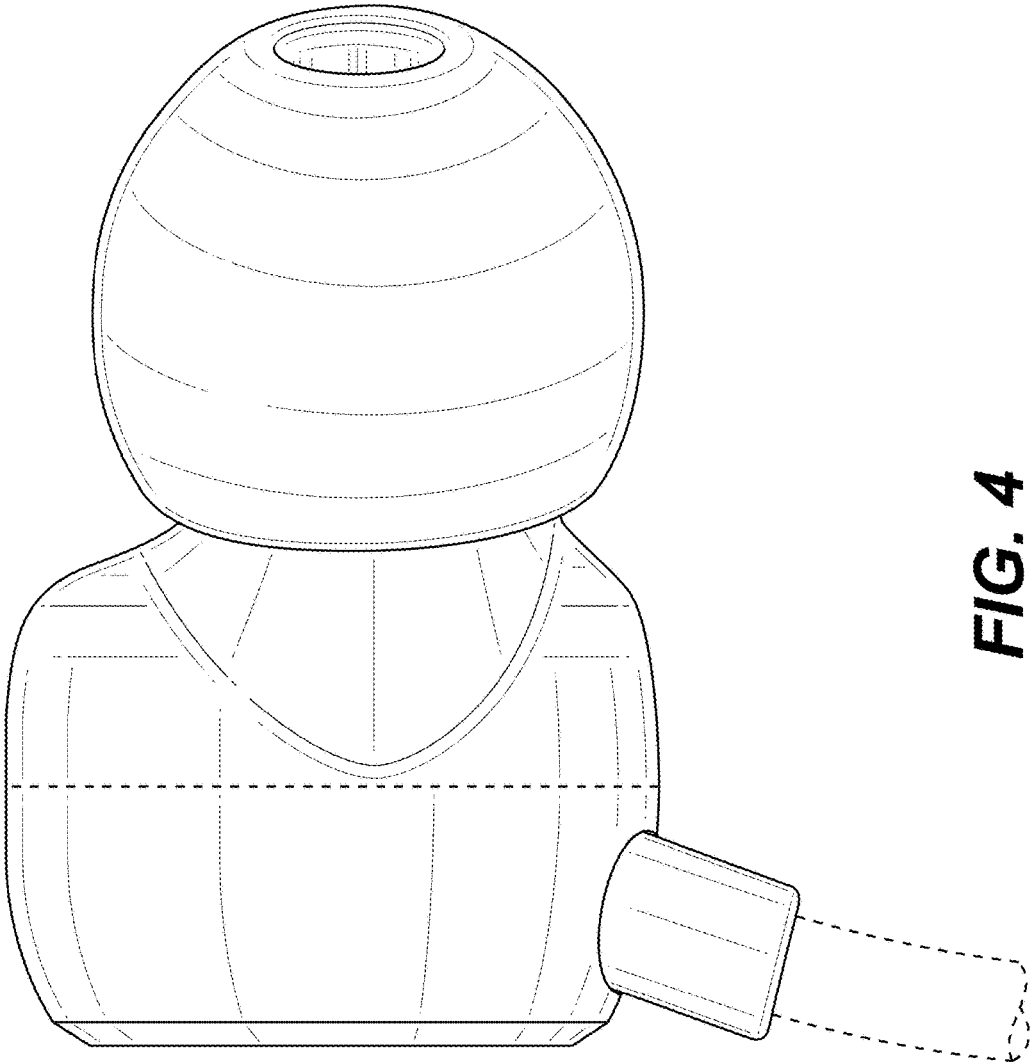


FIG. 4

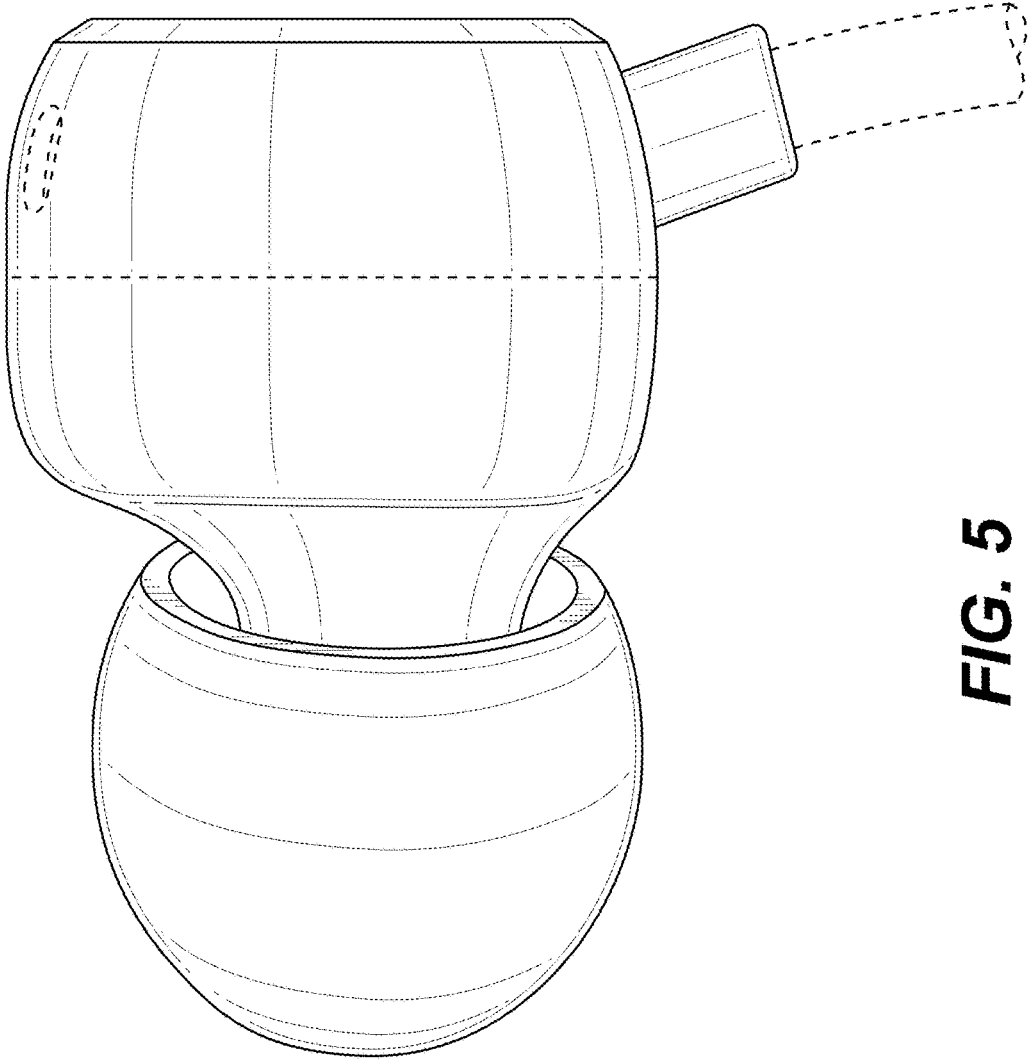


FIG. 5

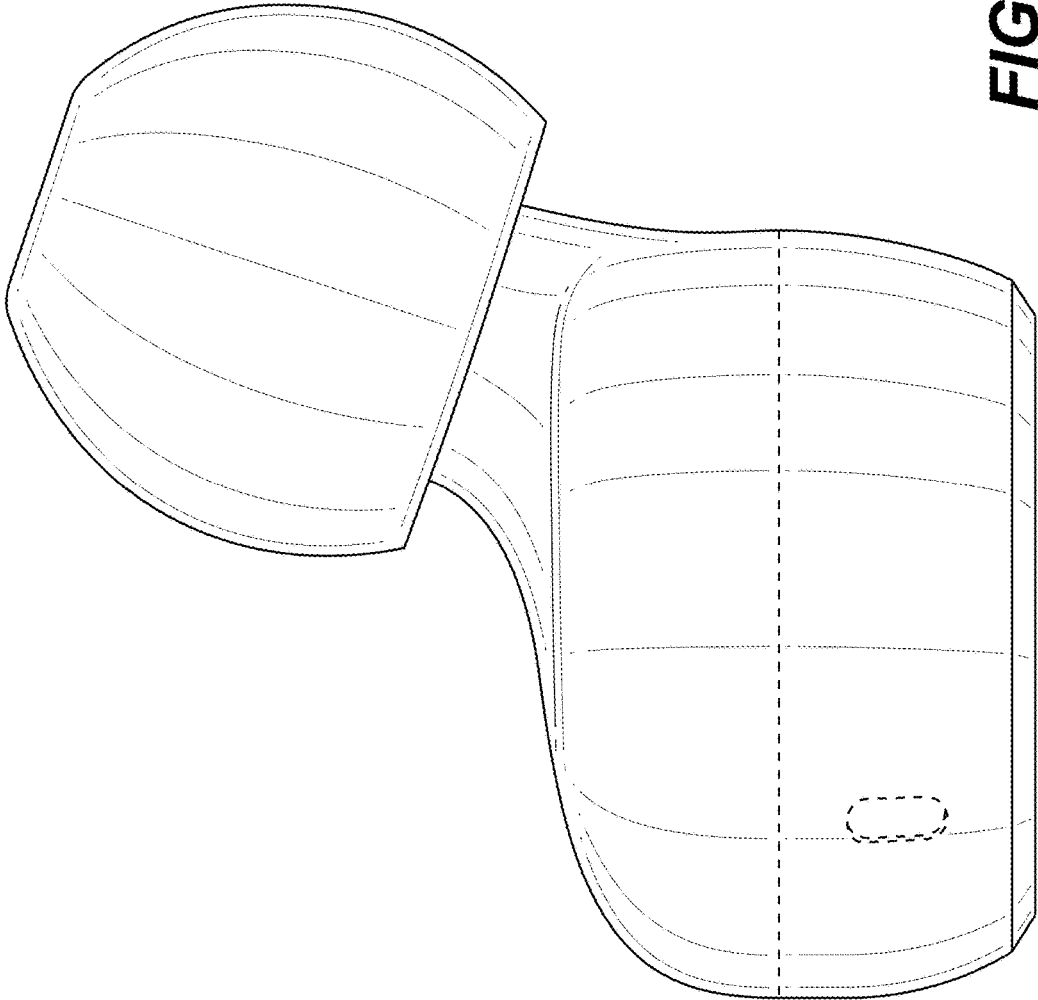


FIG. 6

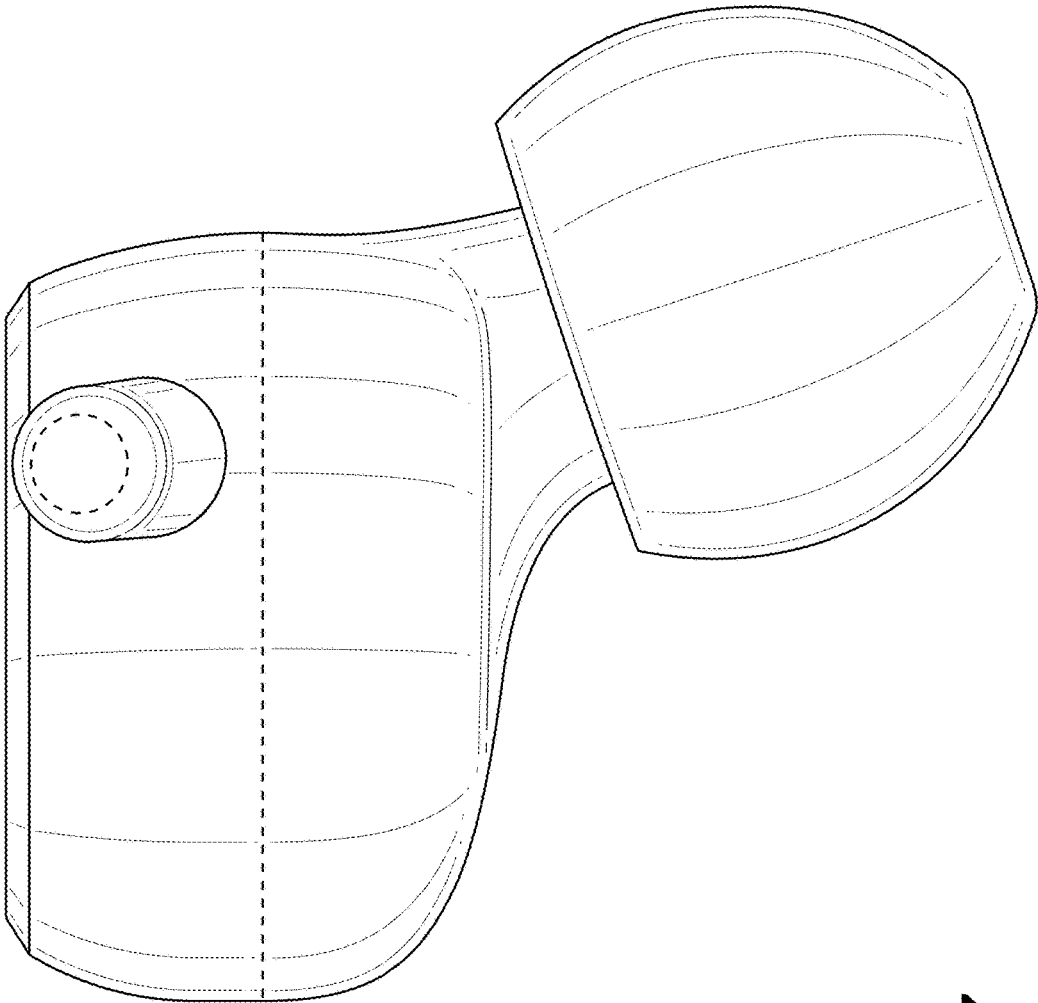


FIG. 7

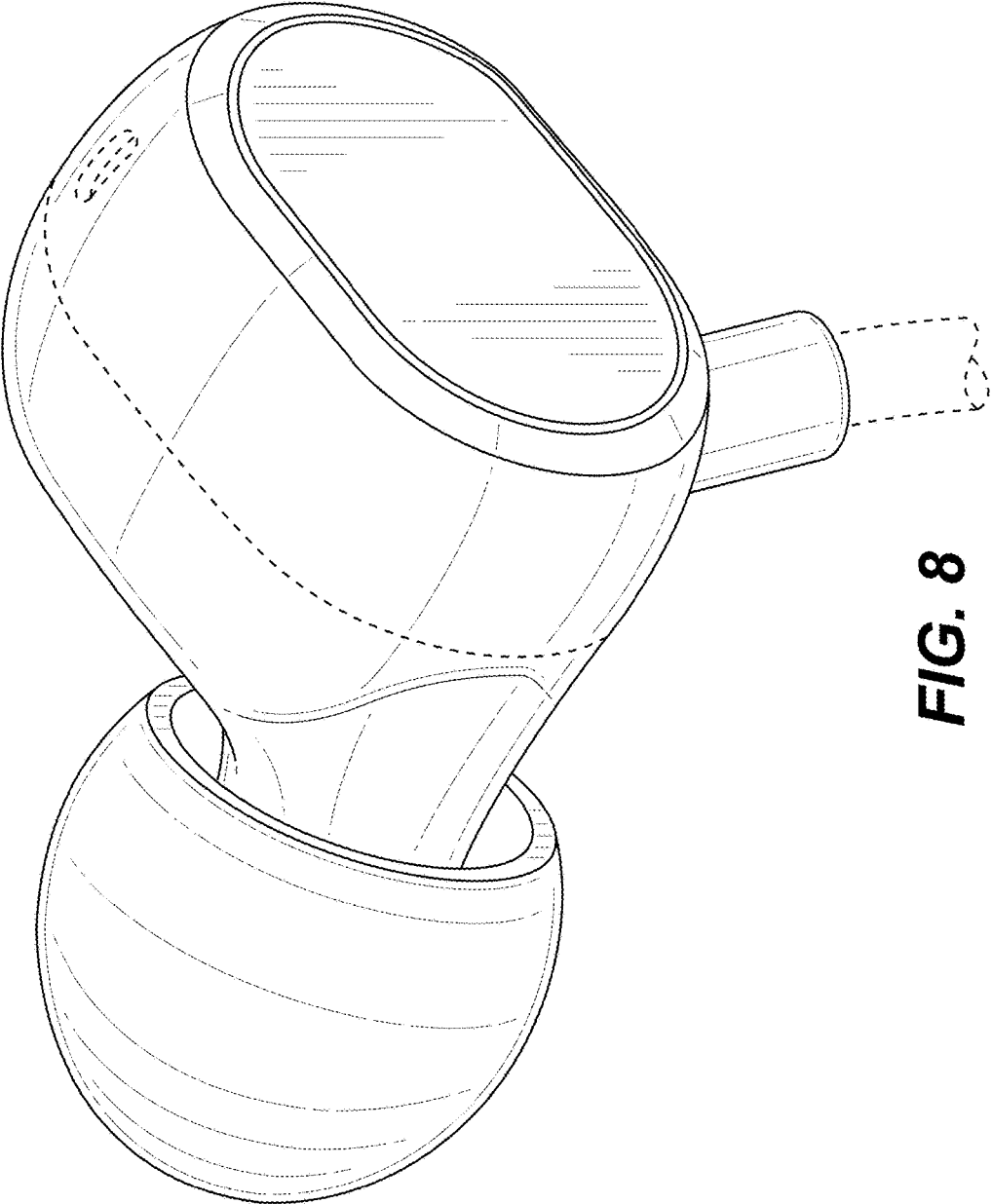


FIG. 8

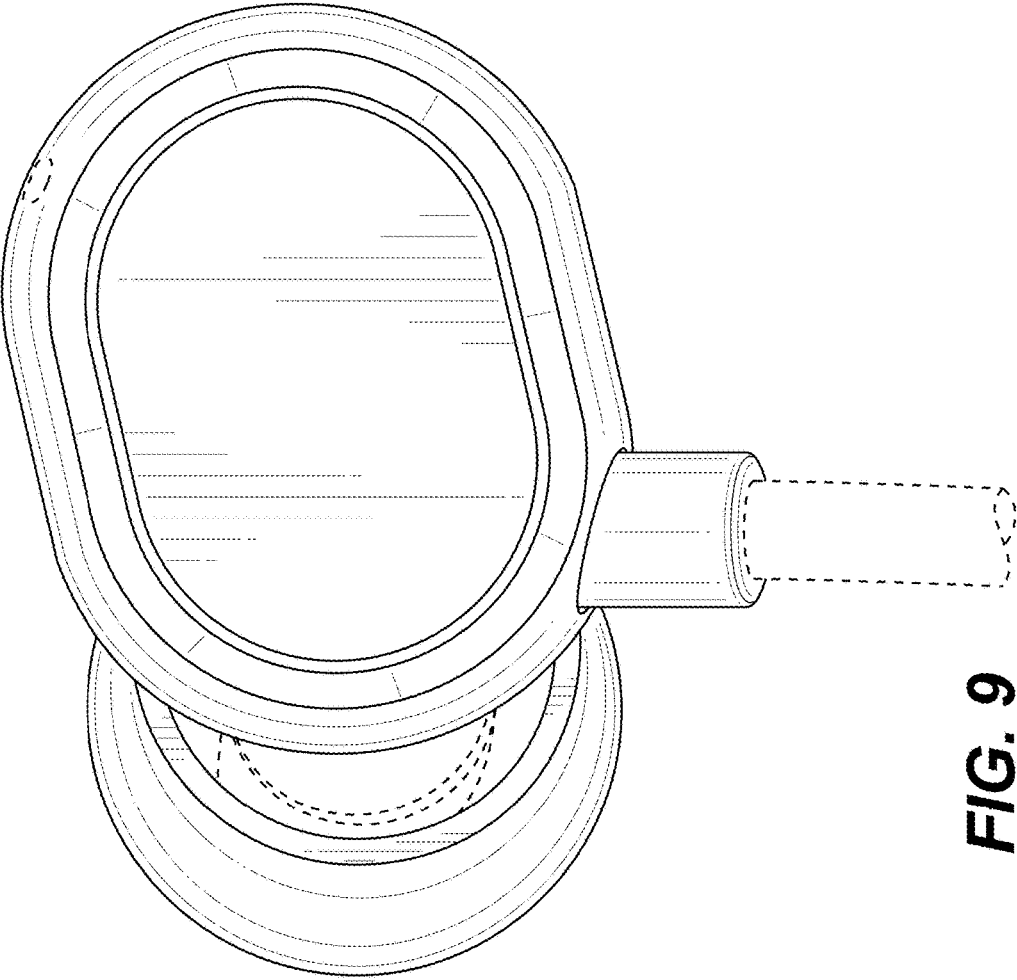


FIG. 9

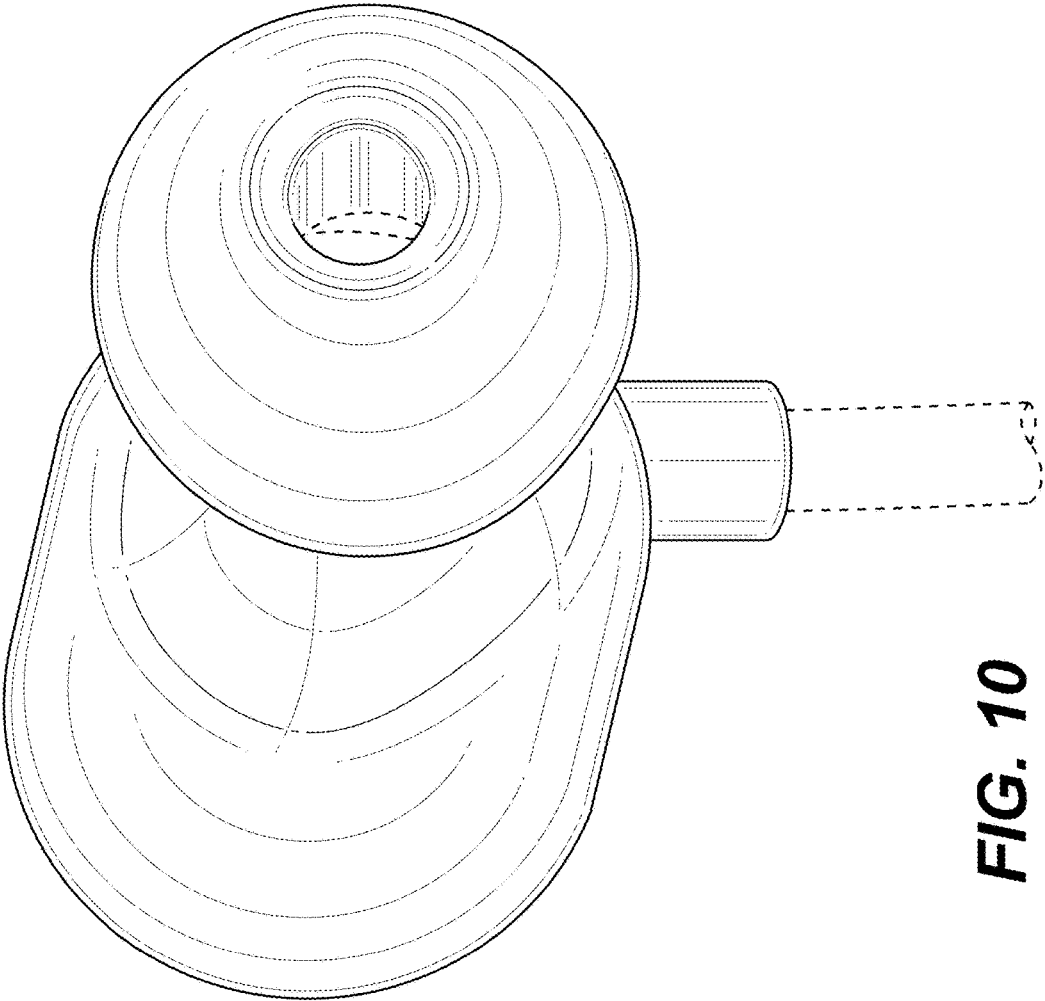


FIG. 10

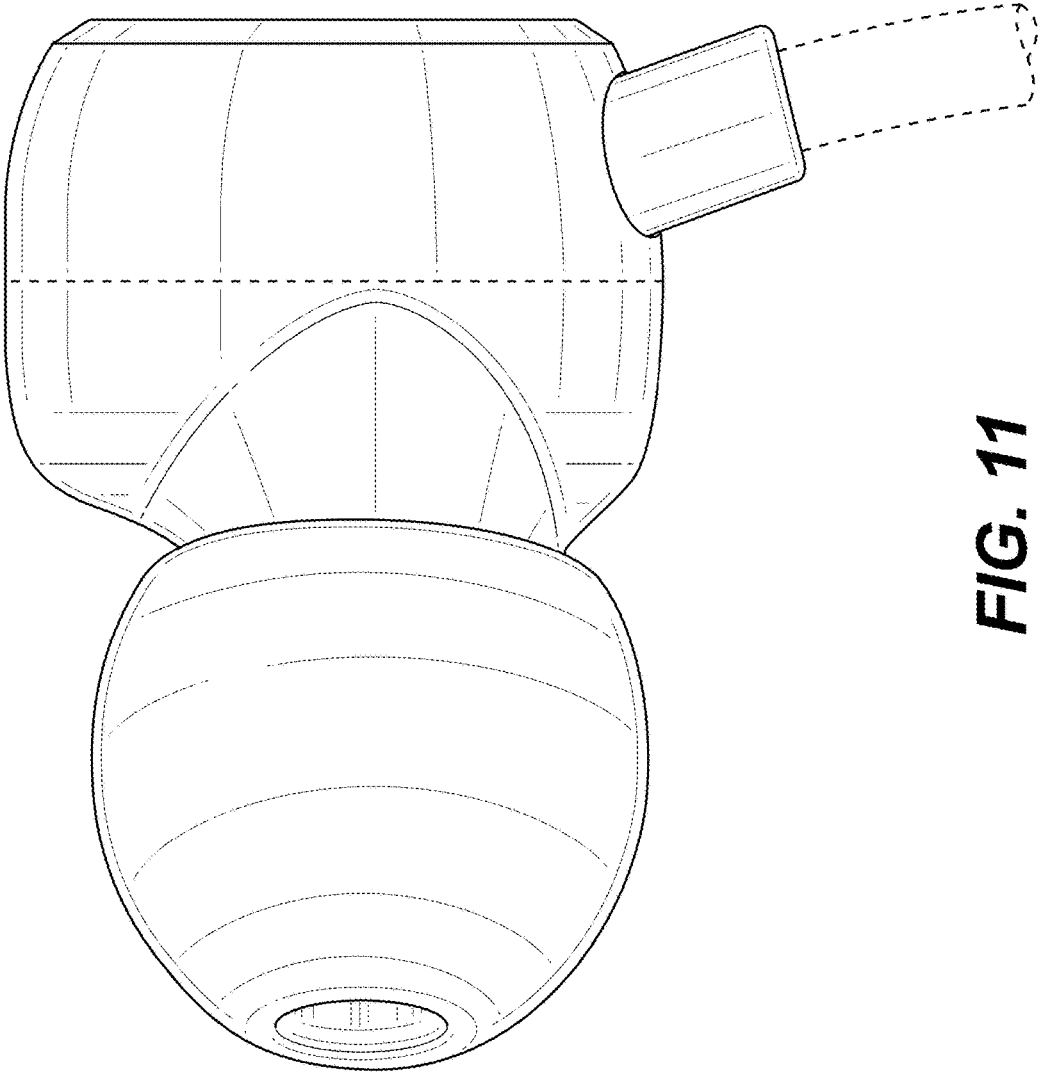


FIG. 11

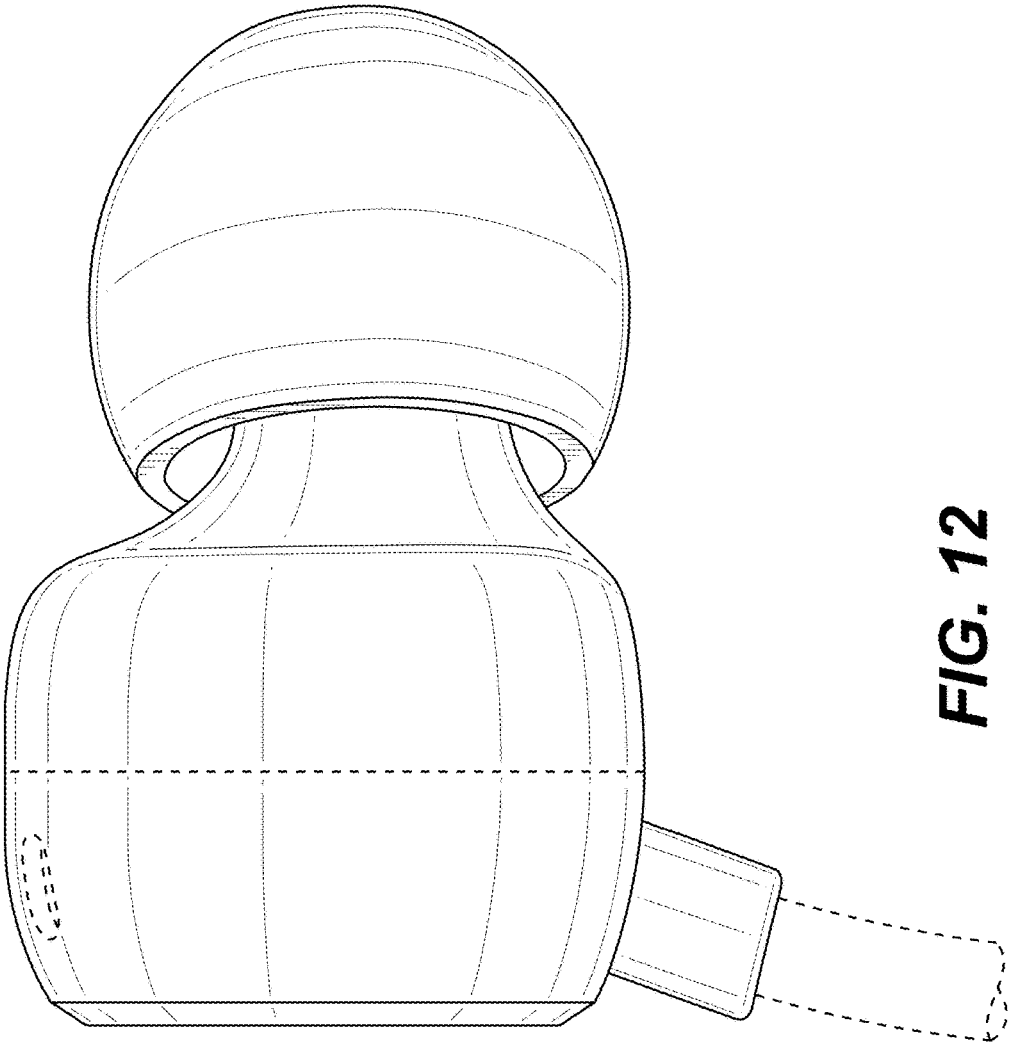


FIG. 12

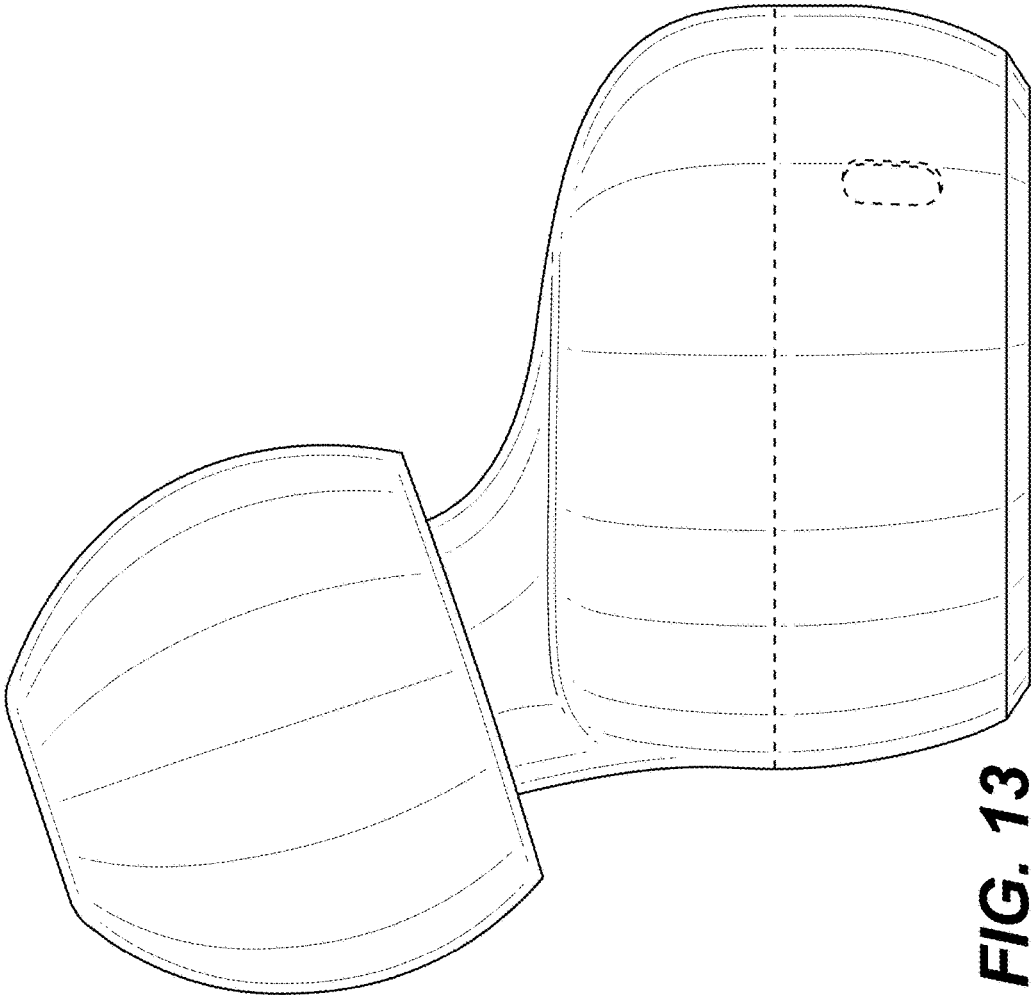


FIG. 13

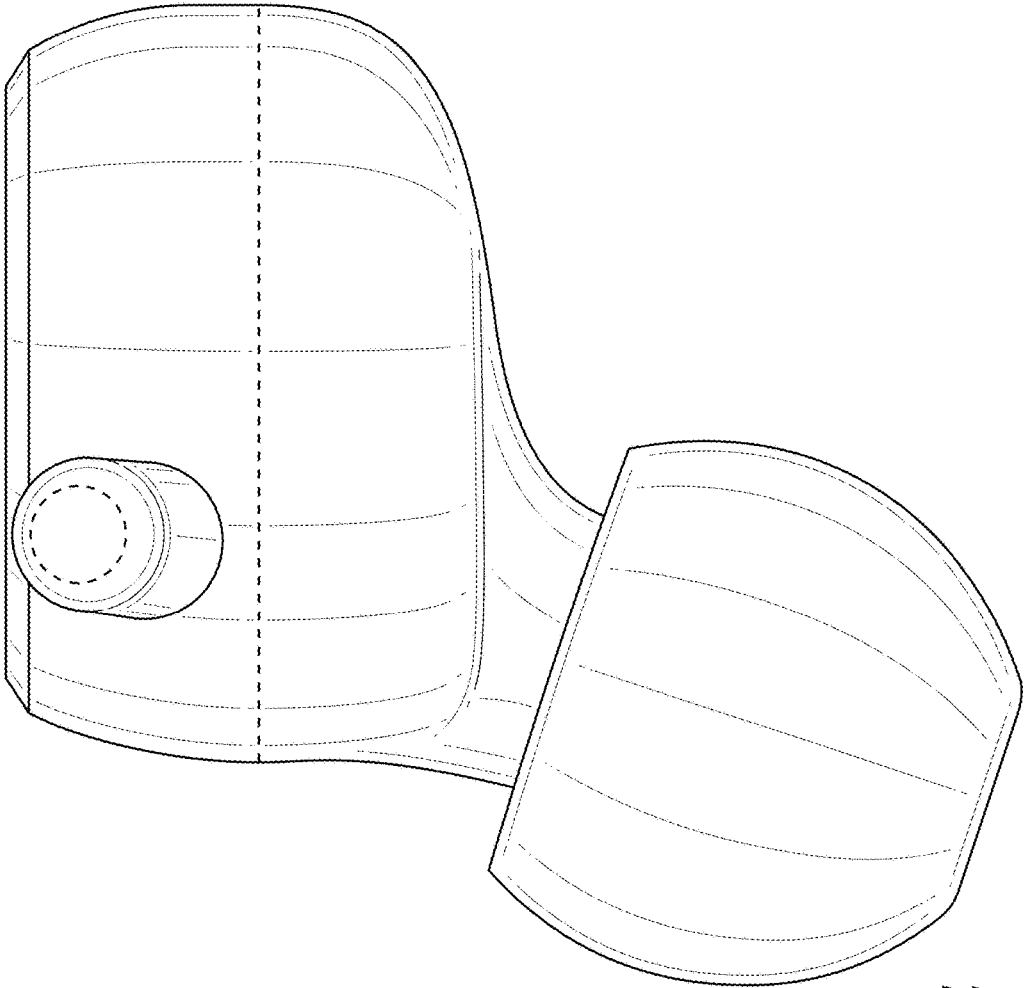


FIG. 14