

(19) World Intellectual Property Organization
International Bureau



(43) International Publication Date
16 January 2003 (16.01.2003)

PCT

(10) International Publication Number
WO 03/005680 A3

(51) International Patent Classification⁷: H04L 12/64, H04J 13/00

(21) International Application Number: PCT/US02/21042

(22) International Filing Date: 3 July 2002 (03.07.2002)

(25) Filing Language: English

(26) Publication Language: English

(30) Priority Data:
09/900,559 5 July 2001 (05.07.2001) US

(71) Applicant: QUALCOMM INCORPORATED [US/US];
5775 Morhouse Drive, San Diego, CA 92121-1714 (US).

(72) Inventors: DALEY, Robert, S.; 766 Hoska Drive, Del Mar, CA 92014 (US). VASSILOVSKI, Dan; 715 Stratford Court, Del Mar, CA 92014 (US).

(74) Agents: WADSWORTH, Philip, R. et al.; Qualcomm Incorporated, 5775 Morehouse Drive, San Diego, CA 92121-1714 (US).

(81) Designated States (*national*): AE, AG, AL, AM, AT, AU, AZ, BA, BB, BG, BR, BY, BZ, CA, CH, CN, CO, CR, CU, CZ, DE, DK, DM, DZ, EC, EE, ES, FI, GB, GD, GE, GH, GM, HR, HU, ID, IL, IN, IS, JP, KE, KG, KP, KR, KZ, LC, LK, LR, LS, LT, LU, LV, MA, MD, MG, MK, MN, MW, MX, MZ, NO, NZ, OM, PH, PL, PT, RO, RU, SD, SE, SG, SI, SK, SL, TJ, TM, TN, TR, TT, TZ, UA, UG, UZ, VN, YU, ZA, ZM, ZW.

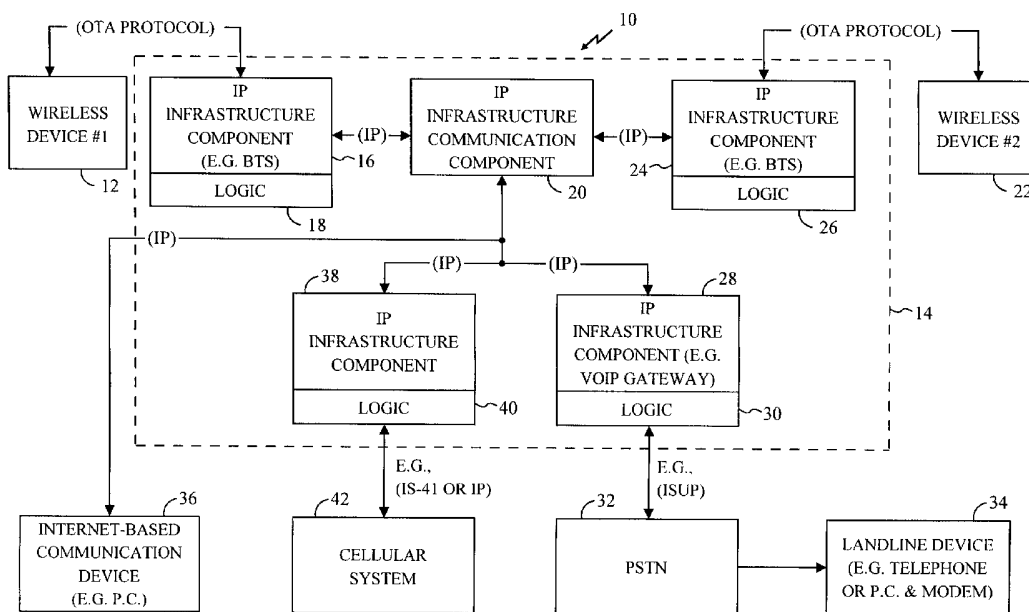
(84) Designated States (*regional*): ARIPO patent (GH, GM, KE, LS, MW, MZ, SD, SL, SZ, TZ, UG, ZM, ZW), Eurasian patent (AM, AZ, BY, KG, KZ, MD, RU, TJ, TM), European patent (AT, BE, BG, CH, CY, CZ, DE, DK, EE, ES, FI, FR, GB, GR, IE, IT, LU, MC, NL, PT, SE, SK, TR), OAPI patent (BF, BJ, CF, CG, CI, CM, GA, GN, GQ, GW, ML, MR, NE, SN, TD, TG).

Published:
— with international search report

(88) Date of publication of the international search report:
13 March 2003

[Continued on next page]

(54) Title: SYSTEM AND METHOD FOR VOICE OVER IP



(57) Abstract: A wireless telephone (12) without IP capability nonetheless communicates with an infrastructure (14) that uses IP. An infrastructure component (16) assigns the wireless telephone (12) a temporary IP address based on the location of the telephone, and then transforms over-the-air (OTA) voice protocol packets, such as IS-95 packets, from the wireless telephone (12) to IP packets. The IP packets are sent through the infrastructure to another communication device (20). In turn, IP packets representing voice communication from the communication device (20) are sent through the infrastructure, transformed to OTA packets, and transmitted to the wireless telephone(12).



WO 03/005680 A3



For two-letter codes and other abbreviations, refer to the "Guidance Notes on Codes and Abbreviations" appearing at the beginning of each regular issue of the PCT Gazette.

INTERNATIONAL SEARCH REPORT

International application No.
PCT/US02/21042

A. CLASSIFICATION OF SUBJECT MATTER
IPC(7) : H04L 12/64; H04J 13/00
US CL : 370/466
According to International Patent Classification (IPC) or to both national classification and IPC

B. FIELDS SEARCHED
Minimum documentation searched (classification system followed by classification symbols)
U.S. : 370/466, 312, 313, 328, 328, 335, 342, 352, 389, 392, 401, 441, 465, 479; 379/900

Documentation searched other than minimum documentation to the extent that such documents are included in the fields searched

Electronic data base consulted during the international search (name of data base and, where practicable, search terms used)
BRS (EAST); IEEEXplore

C. DOCUMENTS CONSIDERED TO BE RELEVANT

Category *	Citation of document, with indication, where appropriate, of the relevant passages	Relevant to claim No.
X, P	US 2001/0015968 A1 (SICHER et al) 23 August 2001 (23.08.2001), figure2, 3, 5, Abstract, paragraphs [0002], [0004], [0013]-[0017], [0027], [0031], [0033], [0034], [0037], [0038] and [0048].	21, 23, 25-27, 30-35, 38, 36,38, 42, 44, 58
Y, P	US 2002/0059449 A1 (WANDEL et al) 16 May 2002 (16.05.2002), paragraphs [0037], [0058] and [0065]	13, 28
A	US 5,953,322 (KIMBALL) 14 September 1999 (14.09.1999), entire document	1-68
A, P	US 2002/0075824 A1 (WILLEKES et al) 20 June 2002 (20.06.2002), entire document	1-68
A, P	US 2001/0030955 A1 (LEE et al) 18 October 2001 (18.10.2001), entire document	1-68
A, P	US 2001/0036172 A1 (HASKAL) 01 November 2001 (01.11.2001), entire document	1-68
A, P	US2002/0071396 A1 (LEE et al) 13 June 2002 (13.06.2002), entire document	1-68
A, P	US 2001/0039197 A1 (BARKAN) 08 November 2001 (08.11.2001), entire document	1-68

Further documents are listed in the continuation of Box C. See patent family annex.

* Special categories of cited documents:	"T"	later document published after the international filing date or priority date and not in conflict with the application but cited to understand the principle or theory underlying the invention
"A" document defining the general state of the art which is not considered to be of particular relevance	"X"	document of particular relevance; the claimed invention cannot be considered novel or cannot be considered to involve an inventive step when the document is taken alone
"E" earlier application or patent published on or after the international filing date	"Y"	document of particular relevance; the claimed invention cannot be considered to involve an inventive step when the document is combined with one or more other such documents, such combination being obvious to a person skilled in the art
"L" document which may throw doubts on priority claim(s) or which is cited to establish the publication date of another citation or other special reason (as specified)	"&"	document member of the same patent family
"O" document referring to an oral disclosure, use, exhibition or other means		
"P" document published prior to the international filing date but later than the priority date claimed		

Date of the actual completion of the international search: 20 August 2002 (20.08.2002)
Date of mailing of the international search report: 19 DEC 2002

Name and mailing address of the ISA/US: Commissioner of Patents and Trademarks, Box PCT, Washington, D.C. 20231, Facsimile No. (703)305-3230
Authorized officer: Kizou Hassan, Telephone No. (703) 305-4700

INTERNATIONAL SEARCH REPORT

C. (Continuation) DOCUMENTS CONSIDERED TO BE RELEVANT		
Category *	Citation of document, with indication, where appropriate, of the relevant passages	Relevant to claim No.
A, P	US 2002/0057657 A1 (LA PORTA et al) 16 May 2002 (16.05.2002), entire document	1-68
A, P	US 2002/0064182 A1 (HOFFMANN et al) 30 May 2002 (30.05.2002), entire document	1-68
A, P	US 2001/0018346 A1 (OKAJIMA et al) 30 August 2001 (30.08.2001), entire document	1-68
A, P	US 2002/0065083 A1 (PATEL) 30 May 2002 (30.05.2001), entire document	1-68
A, P	US 2001/0036816 A1 (WIECK) 01 November 2001 (01.11.2001), entire document	1-68
A, P	US 2002/0085514 A1 (ILLIDGE et al) 04 July 2002 (04.07.2002), entire document	1-68
A, E	US 2002/0105926 A1 (FAMOLARI et al) 08 August 2002 (08.08.2002), entire document	1-68
A, E	US 6,434,191 B1 (AGARWAL et al) 13 August 2002 (13.08.2002), entire document	1-68
A, E	US 2002/0105935 A1 (MIYA) 08 August 2002 (08.08.2002), entire document	1-68
A, E	US 6,434,139 B1 (LIU et al) 13 August 2002 (13.08.2002), entire document	1-68
A	LEE J. Y. et al Integrating Global Wireless System with IP, IEEE, Wireless Communications and networking Conference, vol.1, 23-28 September 2000, pages 232-236.	1-68
A	McCann et al, An Internet Infrastructure for cellular CDMA Networks Using Mobile IP, IEEE Personal Communications, August 2000, pages 26-32.	1-68