



US00D764048S

(12) **United States Design Patent**
Bjelovuk et al.

(10) **Patent No.:** **US D764,048 S**

(45) **Date of Patent:** **** Aug. 16, 2016**

(54) **DEVICE FOR APPLYING NEGATIVE PRESSURE TO A WOUND**

1,925,694 A 9/1933 Hawkins
3,115,138 A 12/1963 McElvenny et al.
3,295,576 A 1/1967 Schmitt et al.

(71) Applicant: **Smith & Nephew, Inc.**, Memphis, TN (US)

(Continued)

FOREIGN PATENT DOCUMENTS

(72) Inventors: **Brian P. Bjelovuk**, Westerville, OH (US); **Carrie Lee Childress**, Dallas, TX (US); **Kealoha Young Deutsch**, Odessa, FL (US); **William W. Gregory**, Gainesville, FL (US); **Kathryn Ann Leigh**, Saint Petersburg, FL (US); **Andrew P. Muser**, Saint Pete Beach, FL (US); **Felix C. Quintanar**, Hull (GB); **Billy J. Ratliff**, Commerce Township, MI (US); **Michael T. Roller**, Covington, KY (US); **Robert H. Roth**, Cincinnati, OH (US)

CA 2 819 475 6/2012
DE 1 000 684 1/1957

(Continued)

OTHER PUBLICATIONS

Huntleigh, *WoundAssist* TNP Canister, 6 page Brochure, Huntleigh Healthcare Limited 2007.

(Continued)

Primary Examiner — Barbara Fox
Assistant Examiner — Lilyana Bekic

(73) Assignee: **Smith & Nephew, Inc.**, Memphis, TN (US)

(74) *Attorney, Agent, or Firm* — Knobbe, Martens, Olson & Bear LLP

(**) Term: **14 Years**

(57) **CLAIM**

(21) Appl. No.: **29/492,121**

The ornamental design for a device for applying negative pressure to a wound, as shown and described.

(22) Filed: **May 28, 2014**

DESCRIPTION

(51) **LOC (10) Cl.** **24-01**

(52) **U.S. Cl.**
USPC **D24/108**

(58) **Field of Classification Search**
USPC D24/107, 108, 111, 188, 185
CPC . A61M 1/0088; A61M 1/0031; A61M 27/00;
A61M 1/0023; A61M 1/0001; A61M 1/009;
A61M 1/0096; A61M 1/0058; A61M 1/0066;
A61M 1/00

FIG. 1 is a top, front, and left side perspective view of a device for applying negative pressure to a wound.

FIG. 2 is a bottom, rear, and right side perspective view thereof.

FIG. 3 is a top plan view thereof.

FIG. 4 is a bottom plan view thereof.

FIG. 5 is a left side view thereof.

FIG. 6 is a right side view thereof.

FIG. 7 is a front view thereof; and,

FIG. 8 is a rear view thereof.

The broken lines in the drawings illustrate portions of the device for applying negative pressure to a wound which form no part of the claimed design.

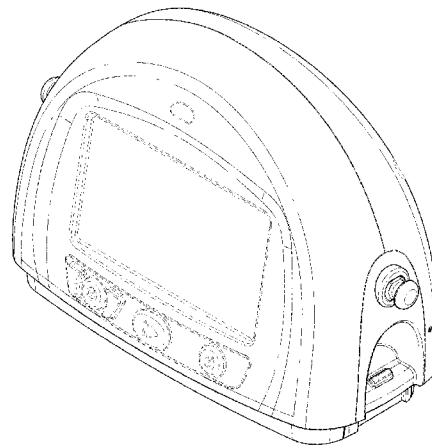
See application file for complete search history.

(56) **References Cited**

U.S. PATENT DOCUMENTS

1,220,957 A 3/1917 Conway
1,251,404 A 12/1917 Mills

1 Claim, 5 Drawing Sheets



(56)

References Cited

U.S. PATENT DOCUMENTS

D207,194 S	3/1967	Artmann	D522,657 S	6/2006	Murphy et al.
D247,068 S	1/1978	Sykes	7,077,832 B2	7/2006	Fleischmann
4,116,310 A	9/1978	Shields	7,108,683 B2	9/2006	Zamierowski
D250,225 S	11/1978	Sykes	D537,944 S	3/2007	Eda et al.
4,382,441 A	5/1983	Svedman	7,195,624 B2	3/2007	Lockwood et al.
D273,535 S	4/1984	Weinreb	7,198,046 B1	4/2007	Argenta
4,569,674 A	2/1986	Phillips	7,216,651 B2	5/2007	Argenta et al.
4,649,973 A	3/1987	Uchin	D543,691 S	6/2007	Payne et al.
4,655,754 A	4/1987	Richmond et al.	D544,092 S	6/2007	Lewis
4,710,165 A	12/1987	McNeil et al.	D545,055 S	6/2007	Lieberman et al.
4,767,417 A	8/1988	Boehringer	D546,952 S	7/2007	May
4,832,299 A	5/1989	Gorton et al.	D548,347 S	8/2007	Ichino et al.
4,930,997 A	6/1990	Bennett	D548,954 S	8/2007	Andersen et al.
4,969,880 A	11/1990	Zamierowski	D556,444 S	12/2007	Ipsen et al.
5,083,700 A	1/1992	Mello et al.	7,317,954 B2	1/2008	McGreevy
D325,126 S	4/1992	Costello	D565,177 S *	3/2008	Locke D24/111
5,134,994 A	8/1992	Say	7,438,705 B2	10/2008	Karpowicz et al.
5,176,663 A	1/1993	Svedman et al.	D581,042 S *	11/2008	Randolph D24/111
5,215,523 A	6/1993	Williams et al.	D581,521 S *	11/2008	Locke D24/111
5,219,428 A	6/1993	Stern	D581,522 S *	11/2008	Randolph D24/111
D340,351 S	10/1993	Wrath	D585,135 S	1/2009	Mori et al.
5,358,494 A	10/1994	Svedman	D585,137 S	1/2009	Onoda et al.
D352,463 S	11/1994	Kubo	D586,466 S	2/2009	Smith et al.
D352,606 S	11/1994	Cylvick et al.	D587,364 S	2/2009	Pukall et al.
5,466,229 A	11/1995	Elson	D587,376 S	2/2009	Takano et al.
5,473,536 A	12/1995	Wimmer	D587,901 S	3/2009	Pidgeon et al.
5,527,293 A	6/1996	Zamierowski	D590,934 S	4/2009	Randolph et al.
5,636,643 A	6/1997	Argenta et al.	D591,039 S	4/2009	Wung et al.
D380,607 S	7/1997	Leben	7,524,315 B2	4/2009	Blott et al.
5,645,081 A	7/1997	Argenta et al.	D591,500 S	5/2009	Siegel et al.
5,687,717 A	11/1997	Halpern et al.	7,534,240 B1	5/2009	Johnson
D400,249 S	10/1998	Holubar et al.	D593,676 S	6/2009	Locke et al.
D406,899 S	3/1999	Cottle	D594,114 S	6/2009	Locke et al.
D408,625 S	4/1999	Barker	D601,692 S *	10/2009	Tout D24/108
5,907,721 A	5/1999	Schelling et al.	D602,582 S	10/2009	Pidgeon et al.
D414,925 S	10/1999	Pidgeon et al.	D602,583 S	10/2009	Pidgeon et al.
D418,287 S	1/2000	Moor	D602,584 S	10/2009	Pidgeon et al.
6,010,527 A	1/2000	Augustine et al.	D607,202 S	1/2010	Pidgeon et al.
D423,102 S	4/2000	Mertenat	7,678,090 B2	3/2010	Risk, Jr.
6,071,267 A	6/2000	Zamierowski	7,694,814 B1	4/2010	Cristobal et al.
D434,150 S	11/2000	Tumey et al.	D617,094 S	6/2010	Pidgeon et al.
6,142,982 A	11/2000	Hunt et al.	D625,801 S	10/2010	Duncan et al.
D436,443 S	1/2001	Hillman	D630,313 S	1/2011	Pidgeon et al.
D439,341 S	3/2001	Tumey et al.	D630,725 S	1/2011	Pidgeon et al.
6,279,804 B1	8/2001	Gregg	D635,588 S	4/2011	Sprules
D447,336 S	9/2001	Bergkvist et al.	D642,594 S	8/2011	Mattson et al.
D449,891 S	10/2001	Moro	D644,250 S	8/2011	Barber et al.
D456,514 S	4/2002	Brown et al.	8,007,481 B2	8/2011	Schuessler et al.
6,390,345 B1	5/2002	Brown et al.	D645,137 S	9/2011	Gonzalez
6,398,767 B1	6/2002	Fleischmann	8,048,046 B2	11/2011	Hudspeth et al.
6,468,199 B1	10/2002	Satou et al.	D650,894 S	12/2011	Gonzalez
D469,175 S	1/2003	Hall et al.	8,100,873 B2	1/2012	Jaeb et al.
D469,176 S	1/2003	Hall et al.	D654,095 S	2/2012	Mattson et al.
D471,274 S *	3/2003	Diaz D24/111	D654,164 S *	2/2012	Cole D24/108
D471,361 S	3/2003	Crandall	D660,409 S *	5/2012	Taggerty D24/108
D475,132 S	5/2003	Randolph	D661,188 S	6/2012	Fahy
D477,869 S	7/2003	Vijfvinkel	D661,189 S	6/2012	Fahy
D478,659 S	8/2003	Hall et al.	D661,190 S	6/2012	Fahy
D481,459 S	10/2003	Naham	8,202,262 B2	6/2012	Lina et al.
6,648,862 B2	11/2003	Watson	8,216,198 B2	7/2012	Heagle et al.
D486,517 S	2/2004	Hendee	8,240,470 B2	8/2012	Pidgeon et al.
6,738,052 B1	5/2004	Manke et al.	8,287,736 B2	10/2012	Roncadi et al.
6,752,794 B2	6/2004	Lockwood et al.	8,317,752 B2	11/2012	Cozmi et al.
6,755,807 B2	6/2004	Risk et al.	D672,141 S	12/2012	Harbinson
6,764,462 B2	7/2004	Risk, Jr. et al.	D675,728 S	2/2013	Tout et al.
6,824,533 B2	11/2004	Risk, Jr. et al.	D681,806 S	5/2013	Kataoka et al.
D502,802 S	3/2005	Fair	D682,546 S	5/2013	Nicolini
D504,953 S	5/2005	Ryan	D684,365 S	6/2013	Leblanc
D505,543 S	5/2005	Miller	8,494,349 B2	7/2013	Gordon
6,936,037 B2	8/2005	Bubb et al.	8,552,880 B2	10/2013	Kopp et al.
6,948,614 B1	9/2005	Hall et al.	8,577,692 B2	11/2013	Silkaitis et al.
6,957,738 B2	10/2005	Hammond	8,801,686 B2	8/2014	Bendele et al.
D516,217 S	2/2006	Brown et al.	D726,302 S	4/2015	Hanna
7,004,915 B2	2/2006	Boynton et al.	2002/0198503 A1	12/2002	Risk, Jr. et al.
7,022,113 B2	4/2006	Lockwood et al.	2003/0050594 A1	3/2003	Zamierowski
			2005/0177190 A1	8/2005	Zamierowski
			2005/0247732 A1	11/2005	Ouke
			2006/0289329 A1	12/2006	Miller
			2007/0038172 A1	2/2007	Zamierowski

(56)

References Cited

FOREIGN PATENT DOCUMENTS

U.S. PATENT DOCUMENTS

2007/0131573	A1	6/2007	Boyles	
2007/0193902	A1	8/2007	Myers et al.	
2007/0250009	A1	10/2007	Barak	
2007/0260226	A1 *	11/2007	Jaeb	A61M 1/0005 604/543
2008/0033400	A1	2/2008	Holper et al.	
2008/0071234	A1	3/2008	Kelch et al.	
2008/0200905	A1	8/2008	Heaton	
2008/0272254	A1	11/2008	Harr et al.	
2009/0012482	A1	1/2009	Pinto	
2009/0043268	A1 *	2/2009	Eddy	A61M 1/0037 604/290
2009/0076467	A1	3/2009	Pinto	
2009/0125055	A1	5/2009	Larkin et al.	
2009/0221990	A1 *	9/2009	Jaeb	A61M 1/0001 604/540
2009/0254066	A1	10/2009	Heaton	
2009/0270820	A1	10/2009	Johnson	
2009/0299306	A1	12/2009	Buan	
2010/0022990	A1	1/2010	Karpowicz et al.	
2010/0036333	A1	2/2010	Schenk, III et al.	
2010/0187065	A1	7/2010	Pidgeon et al.	
2010/0191199	A1 *	7/2010	Evans	A61M 1/0001 604/319
2010/0207768	A1	8/2010	Pidgeon et al.	
2010/0286638	A1	11/2010	Malhi	
2011/0038741	A1 *	2/2011	Lissner	F04B 37/10 417/313
2011/0066110	A1	3/2011	Fathallah et al.	
2011/0077605	A1	3/2011	Karpowicz et al.	
2011/0190703	A1	8/2011	Pratt et al.	
2011/0290979	A1	12/2011	Henault et al.	
2012/0123323	A1	5/2012	Kagan et al.	
2012/0181405	A1	7/2012	Zlatic et al.	
2012/0271256	A1	10/2012	Locke et al.	
2012/0302979	A1 *	11/2012	Locke	A61M 1/0088 604/319
2013/0066301	A1	3/2013	Locke et al.	
2013/0110058	A1 *	5/2013	Adie	A61M 1/0031 604/319
2013/0310809	A1	11/2013	Armstrong et al.	
2014/0309600	A1 *	10/2014	Aceto	A61B 1/0088 604/318
2015/0190288	A1 *	7/2015	Dunn	A61F 13/00068 604/319

DE	20301859	6/2003
DE	10 2010 036405	1/2012
EP	0 777 504 B1	10/1998
EP	2 319 476	5/2011
EP	1 565 219 B1	2/2014
GB	2 037 150	7/1980
GB	1 575 266	9/1980
GB	2 195 255	4/1988
GB	2307180	5/1997
WO	WO 90/11795	10/1990
WO	WO 91/00718	1/1991
WO	WO 92/20299	11/1992
WO	WO 96/05873	2/1996
WO	WO 03/074106	9/2003
WO	WO 2004/037334	5/2004
WO	WO 2005/006975	1/2005
WO	WO 2005/105180	1/2005
WO	WO 2007/013064	2/2007
WO	WO 2007/024230	3/2007
WO	WO 2007/030599	3/2007
WO	WO 2008/036344	3/2008
WO	WO 2009/151645	12/2009
WO	WO 2010/017484	2/2010
WO	WO 2010/039481	4/2010
WO	WO 2013/126049	8/2013
WO	WO 2015/091070	6/2015

OTHER PUBLICATIONS

International Search Report and Written Opinion for International Application No. PCT/US2014/026692, Notification mailed Mar. 2, 2015.

Medela: Invia Motion, Negative Pressure Wound Therapy System, Clinical Instructions for Use, 76 pages. Medela AB/200.4168/2012-11/A.

Molnlycke IFU Solo Pump—Patient Instructions for Use, issued 2013-05/200.6006/A, 448096 rev 04. 121 pages.

Specification and drawings as filed in U.S. Appl. No. 29/492,114 on May 28, 2014.

Specification and drawings as filed in U.S. Appl. No. 29/492,116 on May 28, 2014.

Specification and drawings as filed in U.S. Appl. No. 29/492,729 on Jun. 2, 2014.

Specification and drawings as filed in U.S. Appl. No. 29/492,728 on Jun. 2, 2014.

Specification and drawings as filed in U.S. Appl. No. 29/492,724 on Jun. 2, 2014.

* cited by examiner

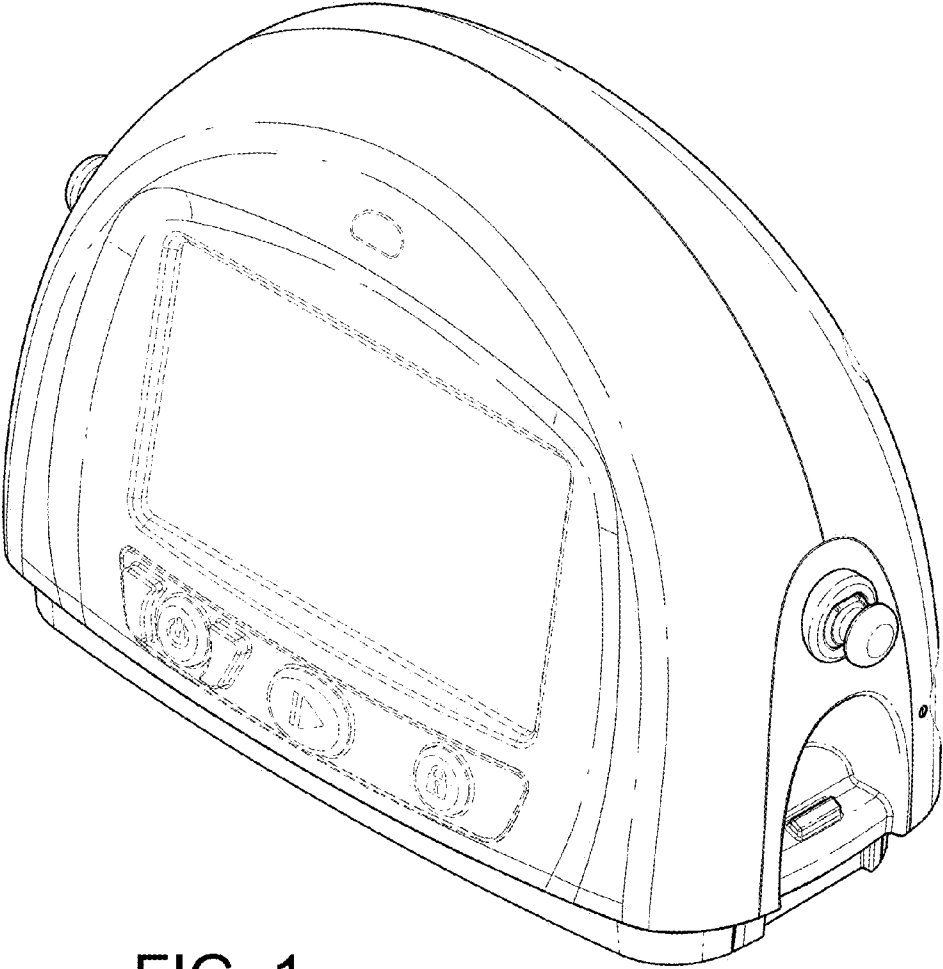


FIG. 1

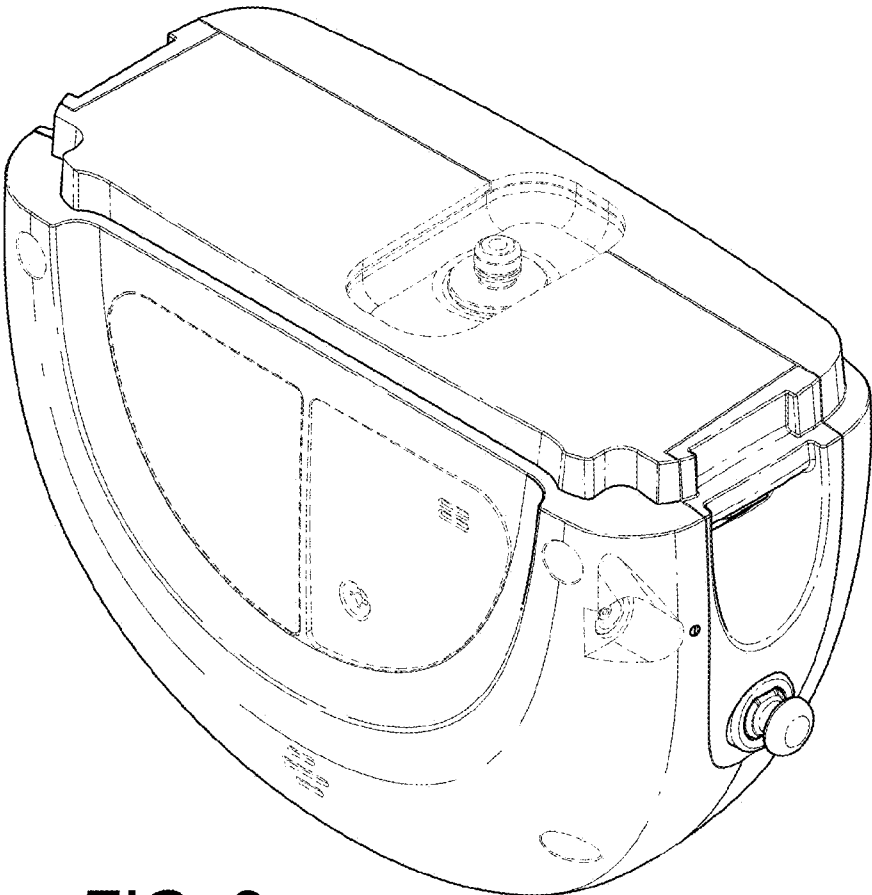


FIG. 2

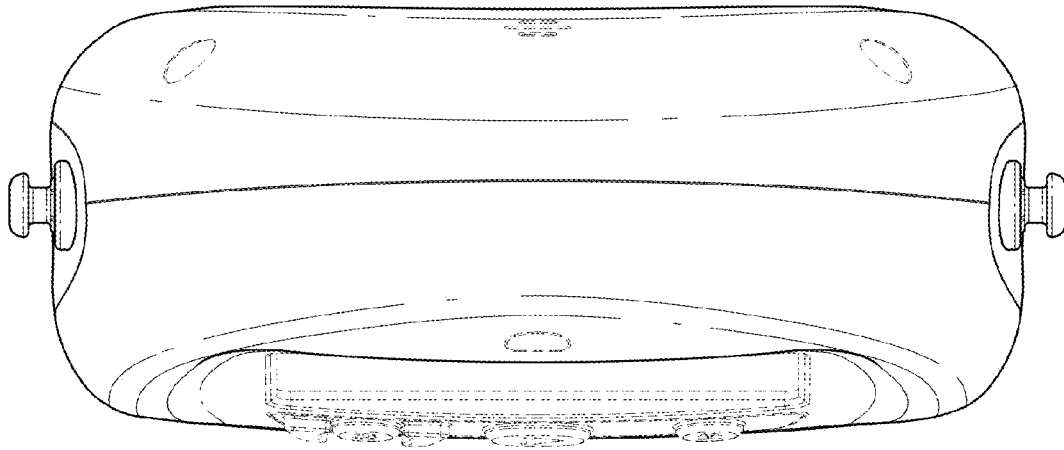


FIG. 3

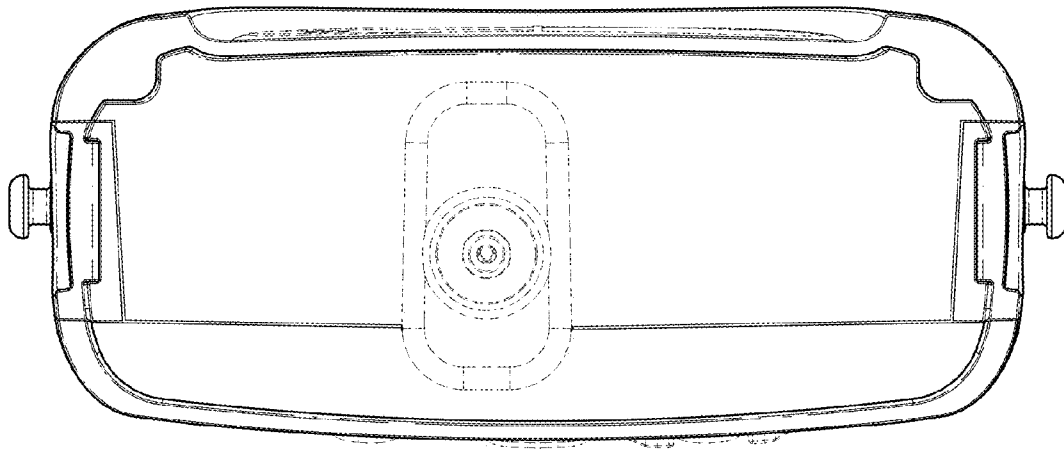


FIG. 4

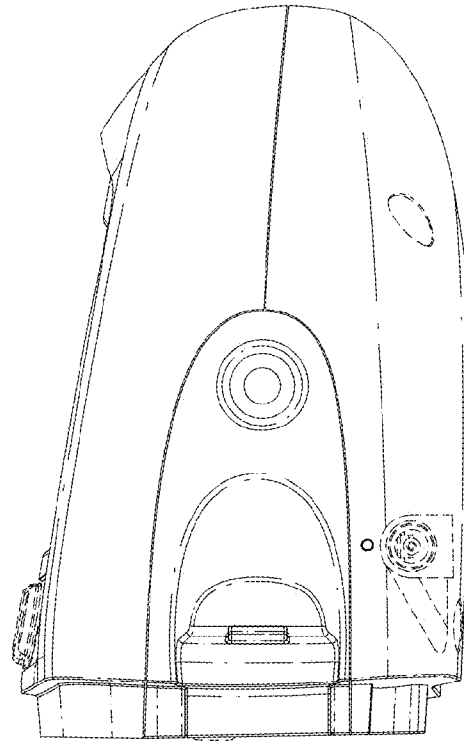


FIG. 5

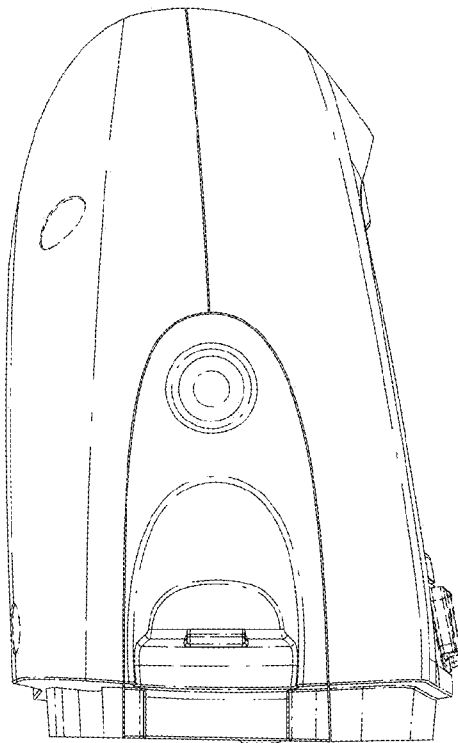


FIG. 6

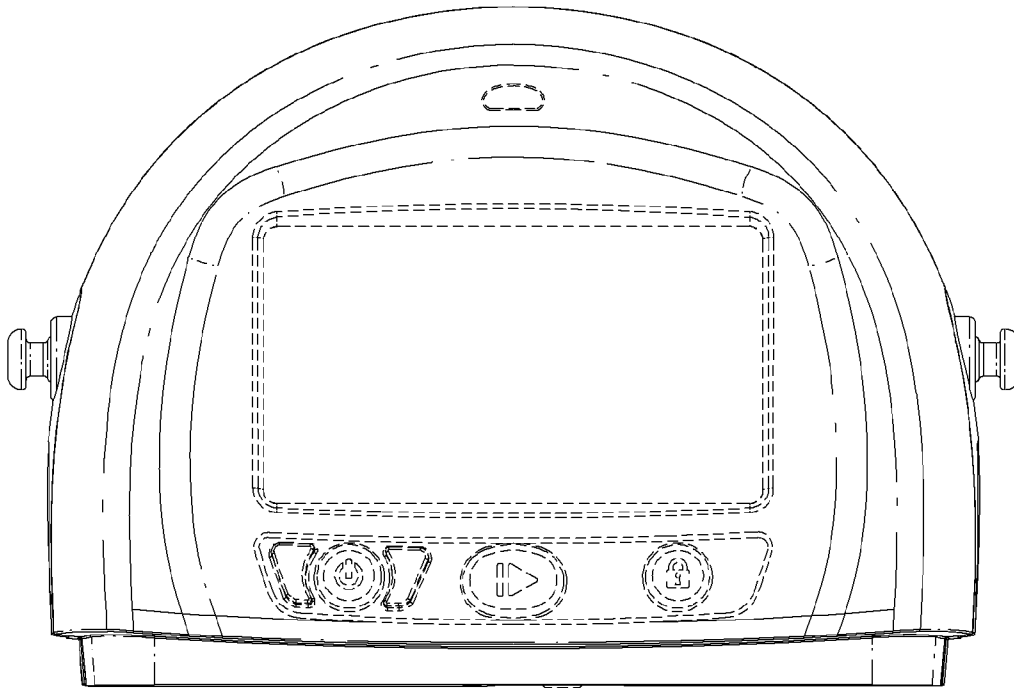


FIG. 7

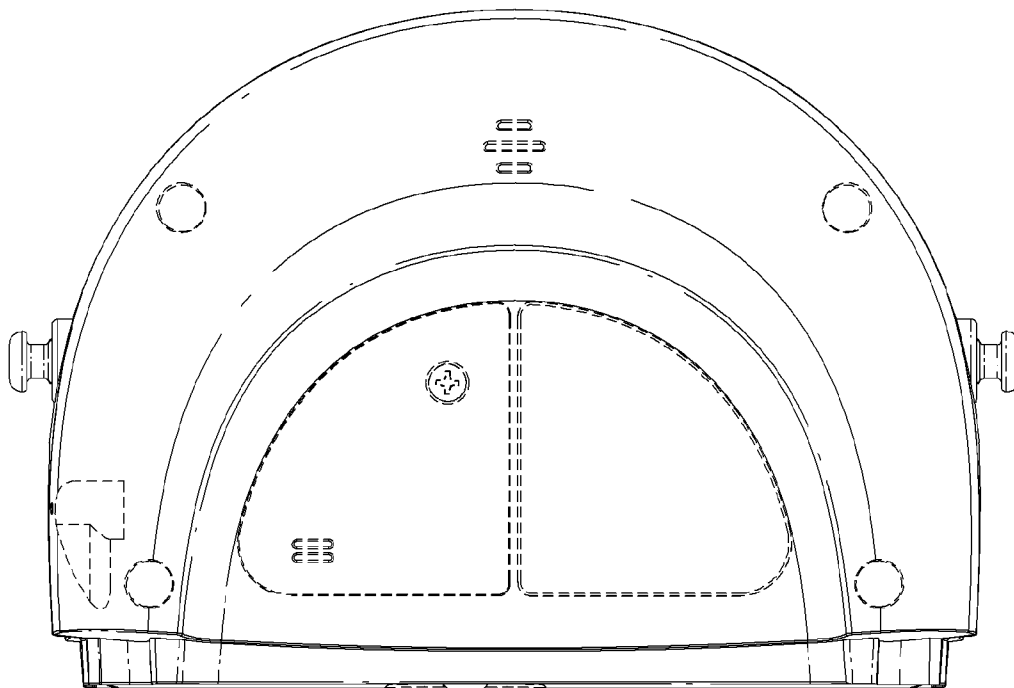


FIG. 8