

(12) INTERNATIONAL APPLICATION PUBLISHED UNDER THE PATENT COOPERATION TREATY (PCT)

(19) World Intellectual Property Organization
International Bureau



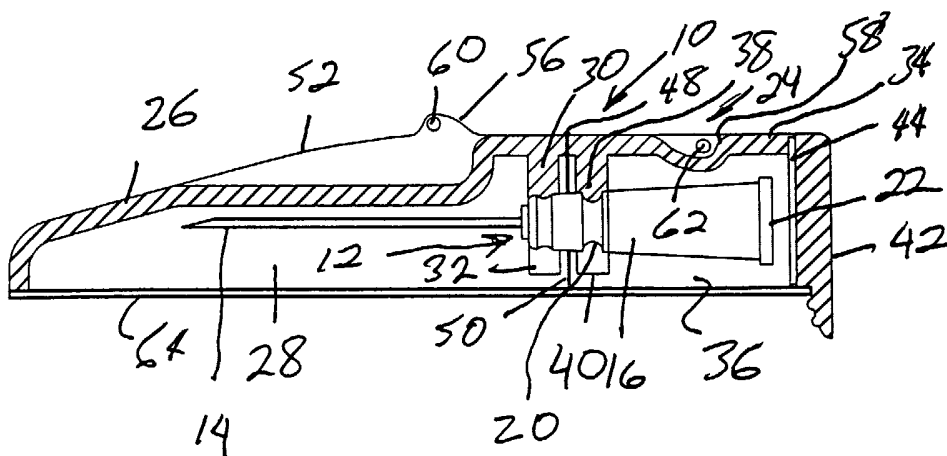
(43) International Publication Date
27 February 2003 (27.02.2003)

PCT

(10) International Publication Number
WO 03/015842 A3

- (51) International Patent Classification⁷: A61M 5/178
- (21) International Application Number: PCT/US02/25715
- (22) International Filing Date: 13 August 2002 (13.08.2002)
- (25) Filing Language: English
- (26) Publication Language: English
- (30) Priority Data:
09/932,830 17 August 2001 (17.08.2001) US
- (71) Applicant: FUTURA MEDICAL TECHNOLOGIES INC. [US/US]; 380 Stevens Avenue, #212, Solana Beach, CA 92072 (US).
- (72) Inventor: MARANO-FORD, April; 221 Rosecrans Place, Manhattan Beach, CA 90266 (US).
- (74) Agent: LYON & LYON LLP; McConaghy, John D., 633 West Fifth Street, Suite 4700, Los Angeles, CA 90071-2066 (US).
- (81) Designated States (*national*): AE, AG, AL, AM, AT, AU, AZ, BA, BB, BG, BR, BY, BZ, CA, CH, CN, CO, CR, CU, CZ, DE, DK, DM, DZ, EC, EE, ES, FI, GB, GD, GE, GH, GM, HR, HU, ID, IL, IN, IS, JP, KE, KG, KP, KR, KZ, LC, LK, LR, LS, LT, LU, LV, MA, MD, MG, MK, MN, MW, MX, MZ, NO, NZ, OM, PH, PL, PT, RO, RU, SD, SE, SG, SI, SK, SL, TJ, TM, TN, TR, TT, TZ, UA, UG, UZ, VC, VN, YU, ZA, ZM, ZW.
- (84) Designated States (*regional*): ARIPO patent (GH, GM, KE, LS, MW, MZ, SD, SL, SZ, TZ, UG, ZM, ZW), Eurasian patent (AM, AZ, BY, KG, KZ, MD, RU, TJ, TM), European patent (AT, BE, BG, CH, CY, CZ, DE, DK, EE, ES, FI, FR, GB, GR, IE, IT, LU, MC, NL, PT, SE, SK, TR), OAPI patent (BF, BJ, CF, CG, CI, CM, GA, GN, GQ, GW, ML, MR, NE, SN, TD, TG).
- Published:
— with international search report
- (88) Date of publication of the international search report:
24 July 2003
- For two-letter codes and other abbreviations, refer to the "Guidance Notes on Codes and Abbreviations" appearing at the beginning of each regular issue of the PCT Gazette.*

(54) Title: SAFETY SHIELD FOR A NEEDLE ASSEMBLY



(57) Abstract: A safety shield (10) for a needle assembly (12) which includes a cover (26), a mount (34) and a hinge (48) forming a shield body (24). The shield body (24) defines a cavity in which a needle assembly (12) having a needle (14) and a luer hub is positioned. The mount (34) includes a socket (38) for receipt of the luer hub (16) while the cover (26) includes a retainer for coupling with the needle assembly (12). A hinge (48) includes a living hinge between the cover (26) and the mount (34). A tab encloses one end of the mount (34). Both the cover (26) and the tab (56) are associated with the mount (34) by means of frangible webs to define a sealed body. A flexible tear strip extends over the cavity to fully seal the body.



WO 03/015842 A3

INTERNATIONAL SEARCH REPORT

International application No.
PCT/US02/25715

A. CLASSIFICATION OF SUBJECT MATTER

IPC(7) : A61M 5/178
US CL : 604/164.01

According to International Patent Classification (IPC) or to both national classification and IPC

B. FIELDS SEARCHED

Minimum documentation searched (classification system followed by classification symbols)
U.S. : 604/164.01, 192, 198, 187, 263, 197, 110, 171, 195, 196, 233, 234, 223, 111

Documentation searched other than minimum documentation to the extent that such documents are included in the fields searched

Electronic data base consulted during the international search (name of data base and, where practicable, search terms used)

C. DOCUMENTS CONSIDERED TO BE RELEVANT

Category *	Citation of document, with indication, where appropriate, of the relevant passages	Relevant to claim No.
A	US 5,158,751 A (KOZLOWSKI) 06 October 1992 (06.10.1992), see entire patent.	1-9
A	US 5,405,332 A (OPALEK) 11 April 1995 (11.04.1995), see entire patent.	1-9

Further documents are listed in the continuation of Box C. See patent family annex.

* Special categories of cited documents:	"T" later document published after the international filing date or priority date and not in conflict with the application but cited to understand the principle or theory underlying the invention
"A" document defining the general state of the art which is not considered to be of particular relevance	"X" document of particular relevance; the claimed invention cannot be considered novel or cannot be considered to involve an inventive step when the document is taken alone
"E" earlier application or patent published on or after the international filing date	"Y" document of particular relevance; the claimed invention cannot be considered to involve an inventive step when the document is combined with one or more other such documents, such combination being obvious to a person skilled in the art
"L" document which may throw doubts on priority claim(s) or which is cited to establish the publication date of another citation or other special reason (as specified)	"&" document member of the same patent family
"O" document referring to an oral disclosure, use, exhibition or other means	
"P" document published prior to the international filing date but later than the priority date claimed	

Date of the actual completion of the international search: 20 October 2002 (20.10.2002)
Date of mailing of the international search report: 07 MAY 2003

Name and mailing address of the ISA/US: Commissioner of Patents and Trademarks, Box PCT, Washington, D.C. 20231, Facsimile No. (703) 305-3230
Authorized officer: Manuel Mendez (signature), Telephone No. (703) 308-0858