

(19) World Intellectual Property Organization
International Bureau



(43) International Publication Date
2 December 2004 (02.12.2004)

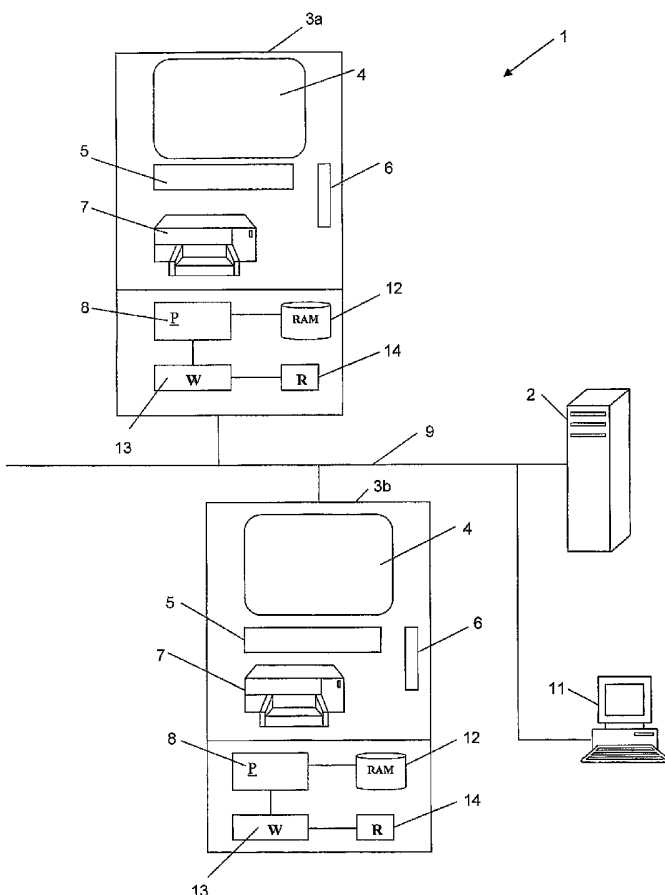
PCT

(10) International Publication Number
WO 2004/104721 A3

- (51) International Patent Classification⁷: **G06F 17/60**
- (21) International Application Number: PCT/IB2004/001635
- (22) International Filing Date: 20 May 2004 (20.05.2004)
- (25) Filing Language: English
- (26) Publication Language: English
- (30) Priority Data: 0311670.4 21 May 2003 (21.05.2003) GB
- (71) Applicant (for all designated States except US): **WATER-LEAF LIMITED** [GB/GB]; 1st Floor, 28 Victoria Street, Douglas, IM1 2LE Isle of Man (GB).
- (72) Inventor; and
- (75) Inventor/Applicant (for US only): **MOSHAL, Martin** [ZA/GB]; c/o 69 Athol Street, Douglas, IM1 1JE Isle of Man (VG).
- (74) Agent: **BOWMAN GILFILLAN (JOHN & KERNICK)**; P O Box 3511, Halfway House, 1685 Midrand (ZA).
- (81) Designated States (unless otherwise indicated, for every kind of national protection available): AE, AG, AL, AM, AT, AU, AZ, BA, BB, BG, BR, BW, BY, BZ, CA, CH, CN, CO, CR, CU, CZ, DE, DK, DM, DZ, EC, EE, EG, ES, FI, GB, GD, GE, GH, GM, HR, HU, ID, IL, IN, IS, JP, KE, KG, KP, KR, KZ, LC, LK, LR, LS, LT, LU, LV, MA, MD, MG, MK, MN, MW, MX, MZ, NA, NI, NO, NZ, OM, PG, PH, PL, PT, RO, RU, SC, SD, SE, SG, SK, SL, SY, TJ, TM, TN, TR, TT, TZ, UA, UG, US, UZ, VC, VN, YU, ZA, ZM, ZW.
- (84) Designated States (unless otherwise indicated, for every kind of regional protection available): ARIPO (BW, GH, GM, KE, LS, MW, MZ, NA, SD, SL, SZ, TZ, UG, ZM, ZW), Eurasian (AM, AZ, BY, KG, KZ, MD, RU, TJ, TM), European (AT, BE, BG, CH, CY, CZ, DE, DK, EE, ES, FI,

[Continued on next page]

(54) Title: BETTING TERMINAL WITH WATCHDOG FACILITY



(57) Abstract: A betting terminal (1) comprises a gaming server (2) that regulates the progress of any one of a number of different selectable games, a user access facility usable by a player to select any one of the games for play and to place a wager thereon, a communication network providing communication between the gaming server (2) and the gaming server (2), a watchdog controller (13) configurable to disable the user access facility for play upon the occurrence of a predetermined event, and a reset facility activatable to re-enable the user access facility for play. The predetermined event can be configured to be any one of the effluxion of a configurable period of time, the completion of a configurable number of turns of any of the different games, and the earlier of the effluxion of the configurable period of time and the completion of the configurable number of turns of any of the different games. The reset facility re-enables the user access facility for play upon entry of a unique authorization code that is identical to a predetermined code.

WO 2004/104721 A3



FR, GB, GR, HU, IE, IT, LU, MC, NL, PL, PT, RO, SE, SI,
SK, TR), OAPI (BF, BJ, CF, CG, CI, CM, GA, GN, GQ,
GW, ML, MR, NE, SN, TD, TG).

(88) Date of publication of the international search report:
31 March 2005

Published:

- with international search report
- before the expiration of the time limit for amending the claims and to be republished in the event of receipt of amendments

For two-letter codes and other abbreviations, refer to the "Guidance Notes on Codes and Abbreviations" appearing at the beginning of each regular issue of the PCT Gazette.

INTERNATIONAL SEARCH REPORT

International application No.
PCT/IB04/O1635

A. CLASSIFICATION OF SUBJECT MATTER

IPC(7) : G06F 17/60
US CL : 705/37; 709/203, 204

According to International Patent Classification (IPC) or to both national classification and IPC

B. FIELDS SEARCHED

Minimum documentation searched (classification system followed by classification symbols)
U.S. : 705/37; 709/203, 204

Documentation searched other than minimum documentation to the extent that such documents are included in the fields searched
NONE

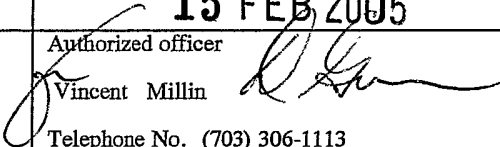
Electronic data base consulted during the international search (name of data base and, where practicable, search terms used)
EAST, DIALOG

C. DOCUMENTS CONSIDERED TO BE RELEVANT

Category *	Citation of document, with indication, where appropriate, of the relevant passages	Relevant to claim No.
X	US 6,454,648 B1 (KELLY et al) 24 September 2002 (24.09.2002), column 4, line 20 thru column 20, line 11	1-18
Y	US 6,519,629 B2 (HARVEY et al) 11 February 2003 (11.02.2003), column 4, line 17 thru column 30, line 57.	1-18

Further documents are listed in the continuation of Box C. See patent family annex.

* Special categories of cited documents:		
"A"	document defining the general state of the art which is not considered to be of particular relevance	"T" later document published after the international filing date or priority date and not in conflict with the application but cited to understand the principle or theory underlying the invention
"B"	earlier application or patent published on or after the international filing date	"X" document of particular relevance; the claimed invention cannot be considered novel or cannot be considered to involve an inventive step when the document is taken alone
"L"	document which may throw doubts on priority claim(s) or which is cited to establish the publication date of another citation or other special reason (as specified)	"Y" document of particular relevance; the claimed invention cannot be considered to involve an inventive step when the document is combined with one or more other such documents, such combination being obvious to a person skilled in the art
"O"	document referring to an oral disclosure, use, exhibition or other means	"&" document member of the same patent family
"P"	document published prior to the international filing date but later than the priority date claimed	

Date of the actual completion of the international search 10 December 2004 (10.12.2004)	Date of mailing of the international search report 15 FEB 2005
Name and mailing address of the ISA/US Mail Stop PCT, Attn: ISA/US Commissioner for Patents P.O. Box 1450 Alexandria, Virginia 22313-1450 Facsimile No.	Authorized officer Vincent Millin  Telephone No. (703) 306-1113