



- (51) International Patent Classification:
F03B 3/10 (2006.01) F03D 7/04 (2006.01)
F03D 7/02 (2006.01)
- (21) International Application Number:
PCT/EP2012/057033
- (22) International Filing Date:
18 April 2012 (18.04.2012)
- (25) Filing Language: English
- (26) Publication Language: English
- (30) Priority Data:
1107329.3 4 May 2011 (04.05.2011) GB
- (71) Applicant (for all designated States except US): **ROLLS-ROYCE PLC** [GB/GB]; 65 Buckingham Gate, London SW1E 6AT (GB).
- (72) Inventor; and
- (75) Inventor/Applicant (for US only): **CHIR, Adam** [GB/GB]; c/o Rolls-Royce plc, PO Box 31, Derby Derbyshire DE24 8BJ (GB).

- (74) Agents: **HARTLEY, Andrew** et al.; Rolls-Royce plc, PO Box 31, Derby Derbyshire DE24 8BJ (GB).
- (81) Designated States (unless otherwise indicated, for every kind of national protection available): AE, AG, AL, AM, AO, AT, AU, AZ, BA, BB, BG, BH, BR, BW, BY, BZ, CA, CH, CL, CN, CO, CR, CU, CZ, DE, DK, DM, DO, DZ, EC, EE, EG, ES, FI, GB, GD, GE, GH, GM, GT, HN, HR, HU, ID, IL, IN, IS, JP, KE, KG, KM, KN, KP, KR, KZ, LA, LC, LK, LR, LS, LT, LU, LY, MA, MD, ME, MG, MK, MN, MW, MX, MY, MZ, NA, NG, NI, NO, NZ, OM, PE, PG, PH, PL, PT, QA, RO, RS, RU, RW, SC, SD, SE, SG, SK, SL, SM, ST, SV, SY, TH, TJ, TM, TN, TR, TT, TZ, UA, UG, US, UZ, VC, VN, ZA, ZM, ZW.
- (84) Designated States (unless otherwise indicated, for every kind of regional protection available): ARIPO (BW, GH, GM, KE, LR, LS, MW, MZ, NA, RW, SD, SL, SZ, TZ, UG, ZM, ZW), Eurasian (AM, AZ, BY, KG, KZ, MD, RU, TJ, TM), European (AL, AT, BE, BG, CH, CY, CZ, DE, DK, EE, ES, FI, FR, GB, GR, HR, HU, IE, IS, IT, LT, LU, LV, MC, MK, MT, NL, NO, PL, PT, RO, RS, SE, SI, SK, SM, TR), OAPI (BF, BJ, CF, CG, CI, CM, GA, GN, GQ, GW, ML, MR, NE, SN, TD, TG).

[Continued on next page]

(54) Title: A TURBINE ARRAY AND A METHOD OF CONTROLLING A TURBINE ARRAY DURING A LOSS-OF-GRID EVENT

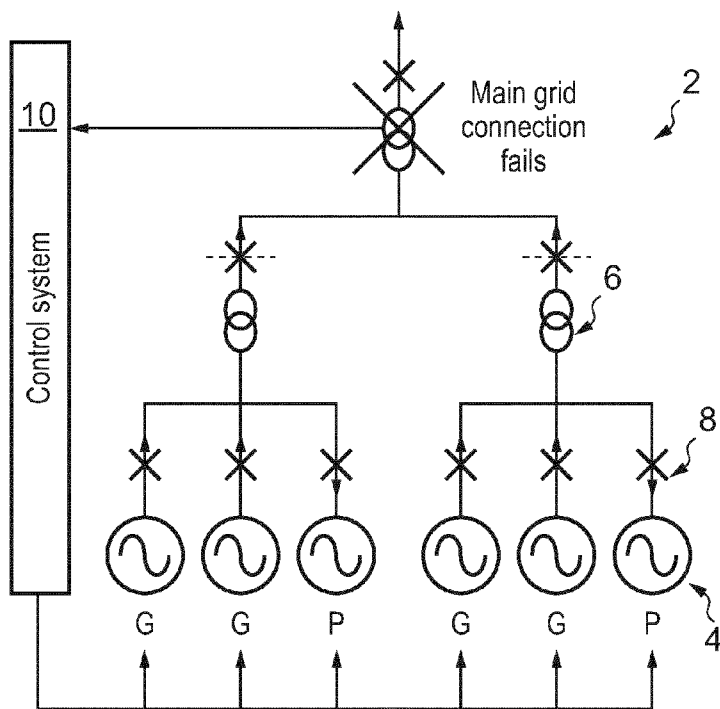


FIG. 3

(57) Abstract: A turbine array (2) comprising: a plurality of turbines (4); an electrical machine connected to each of the turbines and to an electrical grid; wherein at least one of the electrical machines (4) is a motor-generator which can operate in a motor mode or a generator mode, and wherein the other electrical machines (4) are generators; and a controller (10) for detecting a loss-of-grid event; wherein the controller (10) sets the motor-generator to the motor mode when a loss-of-grid event is detected, the motor-generator being driven by the generators and thereby providing a load to the generators.

WO 2012/150128 A3



Declarations under Rule 4.17:

- *as to the identity of the inventor (Rule 4.17(i))*
- *as to applicant's entitlement to apply for and be granted a patent (Rule 4.17(ii))*

- *before the expiration of the time limit for amending the claims and to be republished in the event of receipt of amendments (Rule 48.2(h))*

(88) Date of publication of the international search report:

27 December 2012

Published:

- *with international search report (Art. 21(3))*

INTERNATIONAL SEARCH REPORT

International application No
PCT/EP2012/057033

A. CLASSIFICATION OF SUBJECT MATTER
 INV. F03B3/10 F03D7/02 F03D7/04
 ADD.

According to International Patent Classification (IPC) or to both national classification and IPC

B. FIELDS SEARCHED

Minimum documentation searched (classification system followed by classification symbols)
 H02P F03D F03B

Documentation searched other than minimum documentation to the extent that such documents are included in the fields searched

Electronic data base consulted during the international search (name of data base and, where practicable, search terms used)

EPO-Internal, WPI Data

C. DOCUMENTS CONSIDERED TO BE RELEVANT

Category*	Citation of document, with indication, where appropriate, of the relevant passages	Relevant to claim No.
X	EP 1 925 817 A2 (GAMANIS GEORGE A [GR]) 28 May 2008 (2008-05-28)	1-9, 11-13,15
Y	paragraphs [0001], [0012], [0013], [0021], [0024], [0031], [0032], [0040] figures 1,2	10,14
Y	----- WO 2009/111861 A1 (PARKER V MARTIN [CA]) 17 September 2009 (2009-09-17) paragraphs [0008], [0015], [0018], [0023] claim 5 figure 4	10,14
A	----- US 2006/034692 A1 (GRABAU PETER [DK]) 16 February 2006 (2006-02-16) paragraphs [0001], [0013], [0018], [0029], [0034] ----- -/--	1-15

Further documents are listed in the continuation of Box C.

See patent family annex.

* Special categories of cited documents :

"A" document defining the general state of the art which is not considered to be of particular relevance

"E" earlier application or patent but published on or after the international filing date

"L" document which may throw doubts on priority claim(s) or which is cited to establish the publication date of another citation or other special reason (as specified)

"O" document referring to an oral disclosure, use, exhibition or other means

"P" document published prior to the international filing date but later than the priority date claimed

"T" later document published after the international filing date or priority date and not in conflict with the application but cited to understand the principle or theory underlying the invention

"X" document of particular relevance; the claimed invention cannot be considered novel or cannot be considered to involve an inventive step when the document is taken alone

"Y" document of particular relevance; the claimed invention cannot be considered to involve an inventive step when the document is combined with one or more other such documents, such combination being obvious to a person skilled in the art

"&" document member of the same patent family

Date of the actual completion of the international search

16 October 2012

Date of mailing of the international search report

26/10/2012

Name and mailing address of the ISA/

European Patent Office, P.B. 5818 Patentlaan 2
 NL - 2280 HV Rijswijk
 Tel. (+31-70) 340-2040,
 Fax: (+31-70) 340-3016

Authorized officer

Lux, Ralph

INTERNATIONAL SEARCH REPORT

International application No
PCT/EP2012/057033

C(Continuation). DOCUMENTS CONSIDERED TO BE RELEVANT		
Category*	Citation of document, with indication, where appropriate, of the relevant passages	Relevant to claim No.
A	US 2010/140939 A1 (SCHOLTE-WASSINK HARTMUT [DE] ET AL) 10 June 2010 (2010-06-10) paragraphs [0001], [0004], [0007], [0044], [0046] -----	1-15

INTERNATIONAL SEARCH REPORT

Information on patent family members

International application No PCT/EP2012/057033

Patent document cited in search report	Publication date	Patent family member(s)	Publication date	
EP 1925817	A2	28-05-2008	EP 1925817 A2	28-05-2008
			GR 20060100633 A	18-06-2008

WO 2009111861	A1	17-09-2009	NONE	

US 2006034692	A1	16-02-2006	AU 2003287901 A1	14-07-2004
			CA 2508316 A1	08-07-2004
			CN 1729359 A	01-02-2006
			DK 200201963 A	21-06-2004
			EP 1573199 A1	14-09-2005
			NO 330604 B1	23-05-2011
			US 2006034692 A1	16-02-2006
			WO 2004057182 A1	08-07-2004

US 2010140939	A1	10-06-2010	CN 102080628 A	01-06-2011
			EP 2333320 A2	15-06-2011
			US 2010140939 A1	10-06-2010
