



US00D366235S

United States Patent [19]

[11] Patent Number: Des. 366,235

Schmidt et al.

[45] Date of Patent: **Jan. 16, 1996

[54] MIRROR MOUNTING BRACKET

[76] Inventors: **William P. Schmidt**, 21000 Woodruff, Rockwood, Mich. 48173; **Franklin D. Hutchinson**, 28000 Bell Rd., New Boston, Mich. 48164

[**] Term: 14 Years

[21] Appl. No.: 26,414

[22] Filed: Jul. 27, 1994

1,905,623	4/1933	Deitz .	
3,433,448	3/1969	Weber .	
3,667,718	6/1972	Goslin .	
3,729,163	4/1973	Cummins .	
3,778,016	12/1973	Gernhardt .	
3,833,198	9/1974	Holzman .	
3,857,539	12/1974	Kavanaugh .	
3,906,592	9/1975	Sakasegawa et al. .	
3,976,275	8/1976	Clark .	
4,030,692	6/1977	Szilagyi .	
4,212,303	7/1980	Nolan .	
4,368,868	1/1983	Urban .	
4,500,063	2/1985	Schmidt et al. .	
4,609,171	9/1986	Matsui .	
4,830,326	5/1989	Schmidt et al. .	
5,005,963	4/1991	Schmidt et al. .	
5,106,049	4/1992	Schmidt et al. .	
5,316,257	5/1994	Schmidt et al.	248/487

Related U.S. Application Data

[63] Continuation-in-part of Ser. No. 92,516, Jul. 16, 1993, which is a continuation-in-part of Ser. No. 843,508, Feb. 28, 1992, Pat. No. 5,301,916, which is a continuation-in-part of Ser. No. 419,213, Oct. 10, 1989, Pat. No. 5,106,049.

[52] U.S. Cl. D12/187

[58] Field of Search D12/187, 188; D8/349, 354, 359, 373, 380, 381, 363, 371, 366; 248/215, 475.1, 549, 589, 674, 454, 447.2, 466, 534, 535, 476, 479, 481, 484-487, 474, 205.1, 231.4, 231.9; 359/850, 851, 841, 838, 844, 854, 855, 865, 866, 868, 871-873, 875, 879-881, 862-864, 842

FOREIGN PATENT DOCUMENTS

2950301 6/1981 European Pat. Off. 248/479

Primary Examiner—Freda Nunn
Attorney, Agent, or Firm—Weintraub, DuRoss & Brady

[57] CLAIM

The ornamental design for a mirror mounting bracket, as shown and described.

DESCRIPTION

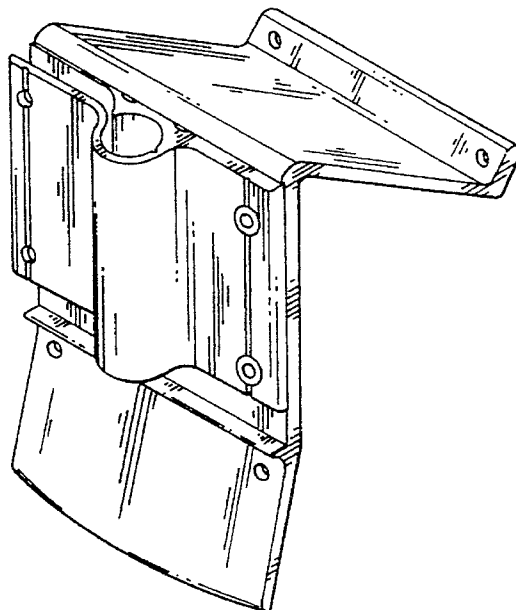
FIG. 1 is a perspective view of a mirror mounting bracket, showing our new design;
FIG. 2 is a front elevational view thereof;
FIG. 3 is a first side elevational view thereof;
FIG. 4 is a rear elevational view thereof;
FIG. 5 is a second side elevational view thereof, as seen opposite the side shown in FIG. 3;
FIG. 6 is a bottom plan view thereof; and,
FIG. 7 is a top plan view thereof.

1 Claim, 2 Drawing Sheets

[56] References Cited

U.S. PATENT DOCUMENTS

D. 227,858	7/1973	Goldman et al.	D8/373
D. 243,581	3/1977	Goss, Jr. et al. .	
D. 248,910	8/1978	DeFilippo .	
D. 249,258	9/1978	Hutchinson, Jr. et al.	D12/187
D. 259,243	5/1981	Argante	D8/371 X
D. 270,574	9/1983	Black	D8/354 X
D. 275,178	8/1984	Yeater .	
D. 288,282	2/1987	Sheets .	
D. 327,001	6/1992	Oosterhuis .	
D. 329,372	9/1992	Wilms	D8/380



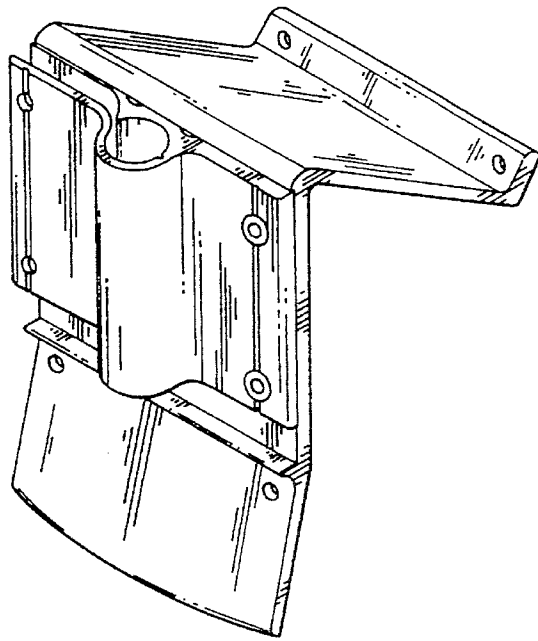


FIG 1

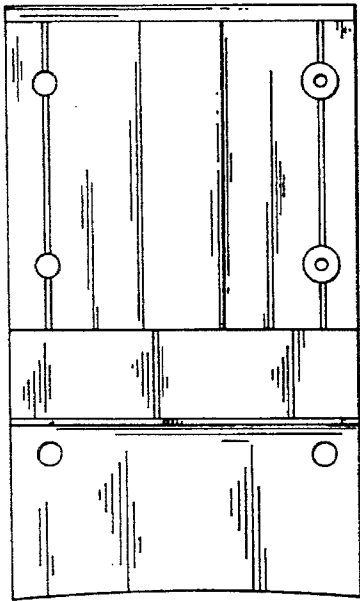


FIG 2

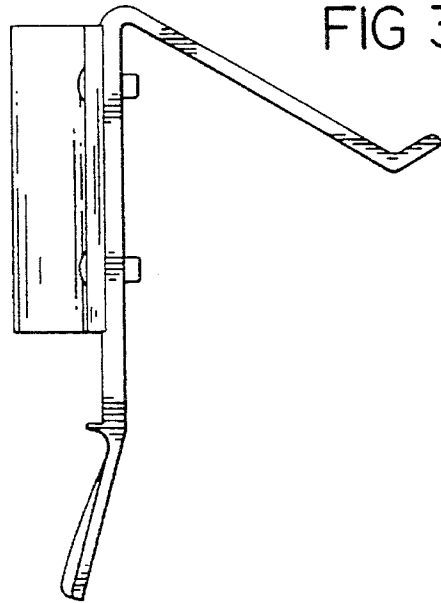


FIG 3

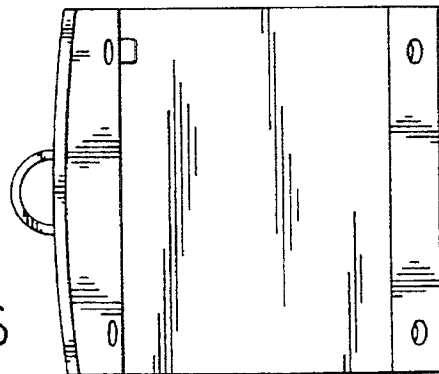


FIG 6

FIG 7

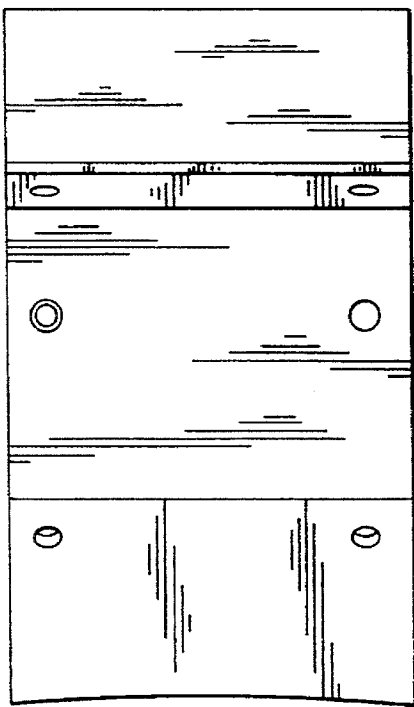
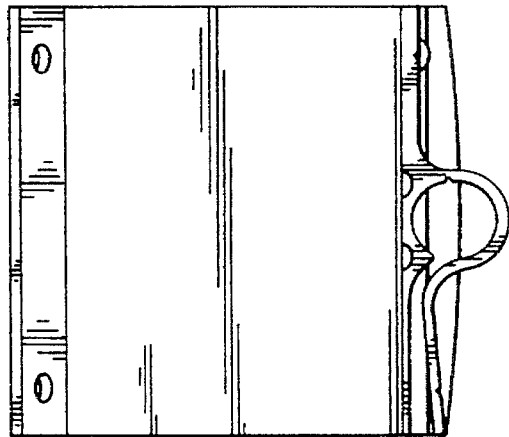


FIG 4

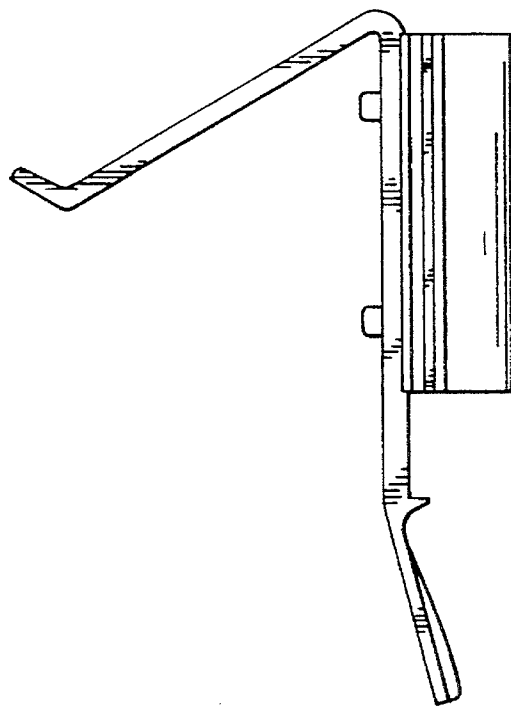


FIG 5