

INVENTOR: JEVONS, et al.
TITLE: THREE DIMENSIONAL SQUARE TOOL

Abstract

1

2

3

4

A generally L-shaped workpiece positioning tool is provided having a base and sidewalls, said base and sidewalls having unobstructed ends and the sidewalls having a void therebetween to space apart the sidewalls.

THREE DIMENSIONAL SQUARE TOOL

Field of the Invention

1 The present invention relates to devices for aligning at least two workpieces at
2 pre-selected angles. In particular, the present invention relates to an alignment tool
3 which permits the user to use the device as a template to position at least two
4 workpieces at a specific angle to each other without limitations on the length or width of
5 the workpiece and without obstructions on the device which would prevent use of the
6 device for the positioning of an outside corner or an inside corner.

Background of the Invention

7
8 In woodworking and other endeavors, it is frequently necessary to align two
9 workpieces at a desired angle to one another or frequently at right angles to one
10 another. In building drawers for furniture, it is extremely important that a square, or 90
11 degree, relationship be achieved between the pieces of wood forming the sides and
12 back of the drawer to prevent the drawer from binding in its holder within the piece of
13 furniture. One of the difficulties in bringing into square two workpieces is that often
14 more than two dimensions must be maintained in alignment for proper configuration of
15 the workpieces. For example, in building a drawer and positioning the back of the
16 drawer and one of the side rails into a 90 degree alignment, there are devices which will
17 allow the user to examine and achieve a 90 degree angle between the back and the
18 sidewall, however, with these devices, the bottom edges of the back wall and sidewall
19 must separately be made flush with each other as the typical right angle square does
20 not provide a base upon which the bottom edges of the drawer back and drawer

INVENTOR: JEVONS, et al.
TITLE: THREE DIMENSIONAL SQUARE TOOL

1 sidewall may be seated during the 90 degree alignment of the back and sidewall.

2 Another limitation that is common with workpiece alignment tools is evidenced in
3 a device such as that shown in U.S. Patent No. 5,855,073 to Boelling. The device of
4 Boelling has both front and rear sidewalls extending from a generally L-shaped base
5 member. In addition, the device of Boelling has the ends of the sidewalls and the ends
6 of the base member obstructed by a flange spanning from one sidewall to the other
7 sidewall. This flange obstructs the ends of centrally positioned stem 20 (Fig. 1) and
8 prevents situating workpieces which are longer than stem 20 on the inside of the device
9 so that the bottoms of the workpieces might be aligned by contact with stem 20.

10 Another example of devices having obstructions which can interfere with the
11 alignment of two workpieces can be found in U.S. Patent No. 5,312,078 to Marsh. The
12 device of Marsh, while intended to secure corners during shipping, might be considered
13 as a device which could be used to align two workpieces along the insides of arm
14 members 22', 23' (Fig. 6 of Marsh). However, the device of Marsh contains strut
15 member 46', 47' on the inside surface which would hold the workpieces away from arm
16 members 22', 23' and allow the ends of the workpieces to pivot on strut members 46',
17 47' thus inhibiting proper alignment of the workpieces. Similarly, the device of Marsh
18 contains obstructions on the outside edge which would prevent the use of the outside of
19 Marsh for alignment of workpieces.

20 Yet another device for squaring can be seen in U.S. Patent No. 4,805,315 to
21 Nesbitt. The device of Nesbitt is a frame-like device having no base member upon
22 which the bottom edge of a workpiece could be rested to ensure that the bottom edges

INVENTOR: JEVONS, et al.
TITLE: THREE DIMENSIONAL SQUARE TOOL

1 of the workpieces are in flush alignment. Further, the device of Nesbitt only allows the
2 outside of members 10, 12 and 30 to be used in supporting workpieces in position.
3 Attempts to use the inside perimeter of Nesbitt is confronted with closed off ends of
4 every angle.

5 Therefore, it is an object of the present invention to provide a workpiece
6 alignment tool which can operate in three dimensions to produce a 90 degree, or other
7 pre-selected angle of alignment between workpieces and provide flush alignment of the
8 bottom edges of the workpieces.

9 It is another object of the present invention to provide a workpiece alignment tool
10 which has ends which are unobstructed and, therefore, can accommodate workpieces
11 of any length.

12 It is another object of the present invention to provide a workpiece alignment tool
13 which has sidewalls which are spaced apart at their ends which are adjacent to one
14 another to accommodate the exuding of a bead of glue from the joint and, thereby,
15 avoid spreading the glue on the finished surfaces of the workpiece.

16 It is another object of the present invention to provide a workpiece alignment tool
17 which has sidewalls which are spaced apart at their ends which are adjacent to one
18 another to accommodate the mitered or beveled point of a workpiece therein and
19 thereby provide a tight fit between the alignment tool and the workpieces.

20 Yet another object of the present invention is to provide a workpiece alignment
21 tool which allows simple and easy clamping of workpieces in precise, angular
22 relationships.

INVENTOR: JEVONS, et al.
TITLE: THREE DIMENSIONAL SQUARE TOOL

1 Still another object of the present invention is to provide a workpiece alignment
2 device which has multiple working surfaces to allow the use of the alignment tool on the
3 inside of the corner or the outside of the corner of two workpieces which are being
4 aligned at a pre-selected angle.

INVENTOR: JEVONS, et al.
TITLE: THREE DIMENSIONAL SQUARE TOOL

Summary of the Invention

1
2 The above objects and more are accomplished in an alignment tool which
3 provides a generally L-shaped base member having unobstructed leg ends and an
4 unobstructed front edge and having attached to the back edge of the base member first
5 and second sidewalls which also are unobstructed at their ends and which are spaced
6 apart from each other by a void, the void permitting excess glue to be squeezed out of a
7 joint between two workpieces being assembled in the tool and also to permit the points
8 of two mitered or beveled edges to reside in the void when mitered or beveled edges,
9 such as those of a picture frame, are being assembled. The alignment tool can, in
10 various preferred embodiments provide alignment at any pre-selected angle at which
11 the tool is formed during manufacture such as ninety degrees or forty-five degrees or
12 twenty degrees or any other pre-selected angle.

13 The foregoing and other objects are intended to be illustrative of the invention
14 and are not meant in a limiting sense. Many possible embodiments of the invention
15 may be made and will be readily evident upon a study of the following specification and
16 accompanying drawings comprising a part thereof. Various features and
17 subcombinations of invention may be employed without reference to other features and
18 subcombinations. Other objects and advantages of this invention will become apparent
19 from the following description taken in connection with the accompanying drawings,
20 wherein is set forth by way of illustration and example, an embodiment of this invention.

INVENTOR: JEVONS, et al.
TITLE: THREE DIMENSIONAL SQUARE TOOL

Description of the Drawings

1
2 Preferred embodiments of the invention, illustrative of the best modes in which
3 the applicant has contemplated applying the principles, are set forth in the following
4 description and are shown in the drawings and are particularly and distinctly pointed out
5 and set forth in the appended claims.

6 Fig. 1 is a bottom and outside perspective view of the base and sidewalls of a 90
7 degree embodiment of the present invention;

8 Fig. 2 shows the outside sidewall surfaces of a 90 degree embodiment of the
9 present invention being used to clamp together two workpieces against the sidewalls of
10 the invention to produce a pre-selected 90 degree angle;

11 Fig. 3 shows the use of the inside sidewalls of the present invention to secure
12 two workpieces to the inside of the device to produce a 90 degree angle between the
13 two workpieces and using the base member of the present invention to ensure a flush
14 relationship between the bottom edges of the two workpieces.

15 Fig. 4 shows the use of the invention shown in Fig. 4 from the outside and with
16 the device inverted and showing the spacing between the sidewalls of the invention to
17 allow the escape of glue and/or insertion of a pointed edge of one of the workpieces;

INVENTOR: JEVONS, et al.
TITLE: THREE DIMENSIONAL SQUARE TOOL

1 Fig. 5 shows the use of the base member to support two workpieces being joined
2 together at a mitered corner and showing the insertion of the outside point of the
3 mitered corner into the void between the sidewalls of the present invention; and

4 Fig. 6 shows the use of the present invention as shown in Fig. 5 from an outside
5 and inverted perspective.

INVENTOR: JEVONS, et al.
TITLE: THREE DIMENSIONAL SQUARE TOOL

Description of the Preferred Embodiment

As required, detailed embodiments of the present inventions are disclosed herein; however, it is to be understood that the disclosed embodiments are merely exemplary of the invention, which may be embodied in various forms. Therefore, specific structural and functional details disclosed herein are not to be interpreted as limiting, but merely as a basis for the claims and as a representative basis for teaching one skilled in the art to variously employ the present invention in virtually any appropriately detailed structure.

Referring to Fig. 1, alignment tool 10 is shown in a bottom and outside perspective view. Alignment tool 10 is comprised of base member 12 which is a flat, generally L-shaped base piece and to which first sidewall 14 and second sidewall 16 are connected. In the preferred embodiment of the present invention, first sidewall 14 and second sidewall 16 are integrally formed with base member 12. Legs 18 and 20 of base member 12 extend away from their junction and terminate in leg ends 22, 24. Leg ends 22, 24 will be more particularly described hereinafter. Similarly, first sidewall 14 and second sidewall 16, which are connected to base member 12 along back edge 26, 28 of base member 12, extend outwardly toward leg ends 22, 24 where first sidewall 14 terminates at first sidewall end 30 and second sidewall 16 terminates at second sidewall end 32. At the opposite end from sidewall ends 30, 32 of sidewalls 14, 16 is void 34 which spaces apart first sidewall 14 from second sidewall 16. Base member 12 and first sidewall 14 and second sidewall 16 are further equipped with securing voids 36

INVENTOR: JEVONS, et al.
TITLE: THREE DIMENSIONAL SQUARE TOOL

1 which may be used by the user to secure alignment tool 10 to workpieces through the
2 use of screws or nails. The outside surfaces of sidewalls 14, 16 have, in a preferred
3 embodiment been machine milled to provide an outside 90° angle having a precision of
4 plus or minus 0.0002 of an inch. Those skilled in the art will appreciate that
5 embodiments of the present invention can be formed at any pre-selected angle and
6 also precision machined.

7 Referring now to Fig. 2, the use and operation of the present invention will be
8 described. In Fig. 2, the present invention is used to align a first workpiece 40 and a
9 second workpiece 42 in a right angle alignment. Those skilled in the art will appreciate
10 that the outside of alignment tool 10 has been used so that end 44 of workpiece 40 can
11 extend beyond workpiece 42 without interfering with the square or 90 degree alignment
12 between workpiece 40 and workpiece 42. It further can be appreciated in Fig. 2 that to
13 secure workpieces to tool 10, clamps 46a, 46b can be quickly and easily used to hold
14 workpieces in place against alignment tool 10.

15 Referring now to Fig. 3, the use of the inside of first sidewall 14 and second
16 sidewall 16 to achieve 90 degree alignment between workpieces is shown. It will be
17 appreciated by those skilled in the art that use of the inside face of first sidewall 14 and
18 second sidewall 16 is used where a flush, outside edge 48 is desired between
19 workpieces 40, 42. In Fig. 3 as in Fig. 2, it further can be appreciated that workpieces
20 which extend past leg ends 22, 24 and sidewall ends 30, 32 are easily accommodated
21 by tool 10 as there is no obstruction of leg ends 22, 24 or sidewall end 30, 32 as there
22 is with other such devices. Again, as shown in Fig. 3 when it is wished to avoid marring

INVENTOR: JEVONS, et al.
TITLE: THREE DIMENSIONAL SQUARE TOOL

1 the surface of a workpiece, clamps 46a, 46b may be used to secure workpieces 40, 42
2 to tool 10 as an alternative to driving screws through voids 36 (Fig. 1) to secure
3 workpieces 40, 42.

4 Referring now to Fig. 4, the application of alignment tool 10 which was previously
5 described in Fig. 3 is again shown in Fig. 4, however, this view being from the outside of
6 the device and with the device and workpieces inverted. It will be appreciated that flush
7 outside edge 48 (Fig. 3) of workpieces 40, 42 presents an edge 50 of workpiece 40 as
8 the outermost extending portion of workpieces 40, 42. In many conventional squaring
9 devices which are not provided with a void 34, edge 50 of the workpieces is butted
10 against the inside corner of the squaring device and can prevent full and secure contact
11 between workpiece 40 and sidewall 16 and workpiece 42 and sidewall 14. The spacing
12 apart of sidewalls 16, 14 through the use of void 34 allows a pointed edge 50 to be
13 accommodated and prevents interference with proper alignment of workpieces 40, 42
14 against sidewalls 14, 16.

15 Referring now to Fig. 5, tool 10 is shown being used to assemble workpieces 40,
16 42. In this instance the workpieces are being assembled with a mitered joint between
17 workpieces 40, 42. In Fig. 5, the importance of void 34 is again demonstrated as void
18 34 is able to accommodate the point 52 of mitered joint 54 without interfering with
19 complete contact between workpieces 40, 42 and sidewalls 14, 16. Those skilled in the
20 art will appreciate that in the use of tool 10 that base member 12 is used to provide a
21 flush surface between workpieces 40, 42.

22 Referring now to Fig. 6, the application shown in Fig. 5 of tool 10 to a mitered

INVENTOR: JEVONS, et al.

TITLE: THREE DIMENSIONAL SQUARE TOOL

1 joint between workpieces 40, 42 is shown from the outside and with the tool and
2 workpieces inverted. Once again, it can be appreciated that though the ends of
3 workpieces 40, 42 extend well beyond leg end 22, 24 of base member 12, that no
4 obstruction is present to prevent the use of tool 10 to assemble workpieces of greater
5 length than the length of tool 10 itself. Another important utility of void 34 is to permit
6 glue to escape which is exuded from a joint such as mitered joint 54. In alignment tools
7 which have a joined corner between sidewalls 14, 16, the exuded glue from the
8 compression of workpieces 40, 42 along joint 54 will be pressed outwardly along
9 sidewalls 14, 16. It will be appreciated by those skilled in the art that while many edges
10 of joint 54 are accessible and the glue could be wiped clean of the workpieces before
11 the glue set, that the corner in a device having sidewalls 14, 16 which are joined
12 together would not be able to be reached for removal. In such a case, the glue would
13 hardened and the user would need to resort to a method of abrasion to clean the glue
14 from the finished surface of the workpieces.

15 In the foregoing description, certain terms have been used for brevity, clearness
16 and understanding; but no unnecessary limitations are to be implied therefrom beyond
17 the requirements of the prior art, because such terms are used for descriptive purposes
18 and are intended to be broadly construed. Moreover, the description and illustration of
19 the inventions is by way of example, and the scope of the inventions is not limited to the
20 exact details shown or described. Certain changes may be made in embodying the
21 above invention, and in the construction thereof, without departing from the spirit and
22 scope of the invention. It is intended that all matter contained in the above description

INVENTOR: JEVONS, et al.
TITLE: THREE DIMENSIONAL SQUARE TOOL

1 and shown in the accompanying drawings shall be interpreted as illustrative and not
2 meant in a limiting sense.

3 Having now described the features, discoveries and principles of the invention,
4 the manner in which the inventive alignment tool is constructed and used, the
5 characteristics of the construction, and advantageous, new and useful results obtained;
6 the new and useful structures, devices, elements, arrangements, parts and
7 combinations, are set forth in the appended claims.

8 It is also to be understood that the following claims are intended to cover all of
9 the generic and specific features of the invention herein described, and all statements
10 of the scope of the invention which, as a matter of language, might be said to fall
11 therebetween.

INVENTOR: JEVONS, et al.
TITLE: THREE DIMENSIONAL SQUARE TOOL

1 **CLAIMS**

2 Having thus described the invention what is claimed as new and desired to be
3 secured by Letters Patent is as follows:

4 1. A workpiece positioning tool comprising:

5 an L-shaped, generally flat base member, said base member having first and
6 second legs, said first and second legs having front edges and back
7 edges, said first and second legs having unobstructed leg ends and
8 unobstructed front edges,

9 a first sidewall connected to said back edge of said base member first leg,

10 a second sidewall connected to said back edge of said base member second

11 leg, said second sidewall having a first end adjacent said first sidewall and

12 an unobstructed second end, and said first sidewall having a first end

13 adjacent said second sidewall, and an unobstructed second end,

14 a void extending upwardly from said base member and between said first and

15 second adjacent ends.

16 2. The workpiece positioning tool as claimed in claim 1 further comprising a plurality
17 of in said base member and said first and second sidewalls for securing the tool to a
18 workpiece.

INVENTOR: JEVONS, et al.
TITLE: THREE DIMENSIONAL SQUARE TOOL

1 3. The workpiece positioning tool as claimed in claim 1 wherein the angle formed
2 by said first and second legs is 90 degrees.

3 4. The workpiece positioning tool as claimed in claim 1 wherein the angle formed
4 by said first and second legs is 60 degrees.

5 5. The workpiece positioning tool as claimed in claim 1 wherein the angle formed
6 by said first and second legs is 45 degrees.

7 6. The workpiece positioning tool as claimed in claim 1 wherein the angle formed
8 by said first and second legs is 30 degrees.

9 7. The workpiece positioning tool as claimed in claim 1 wherein the angle formed
10 by said first and second legs is 20 degrees.

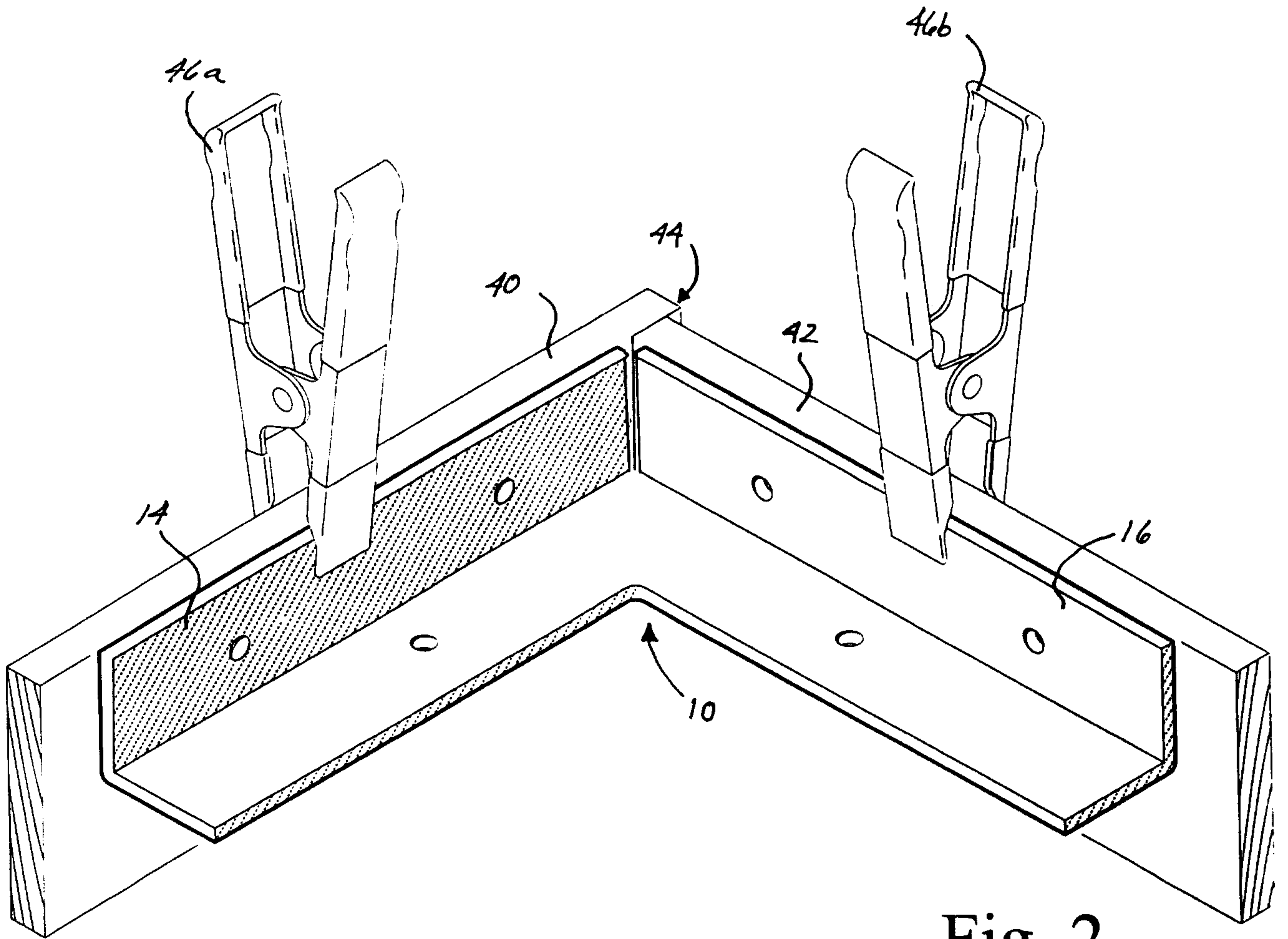


Fig. 2

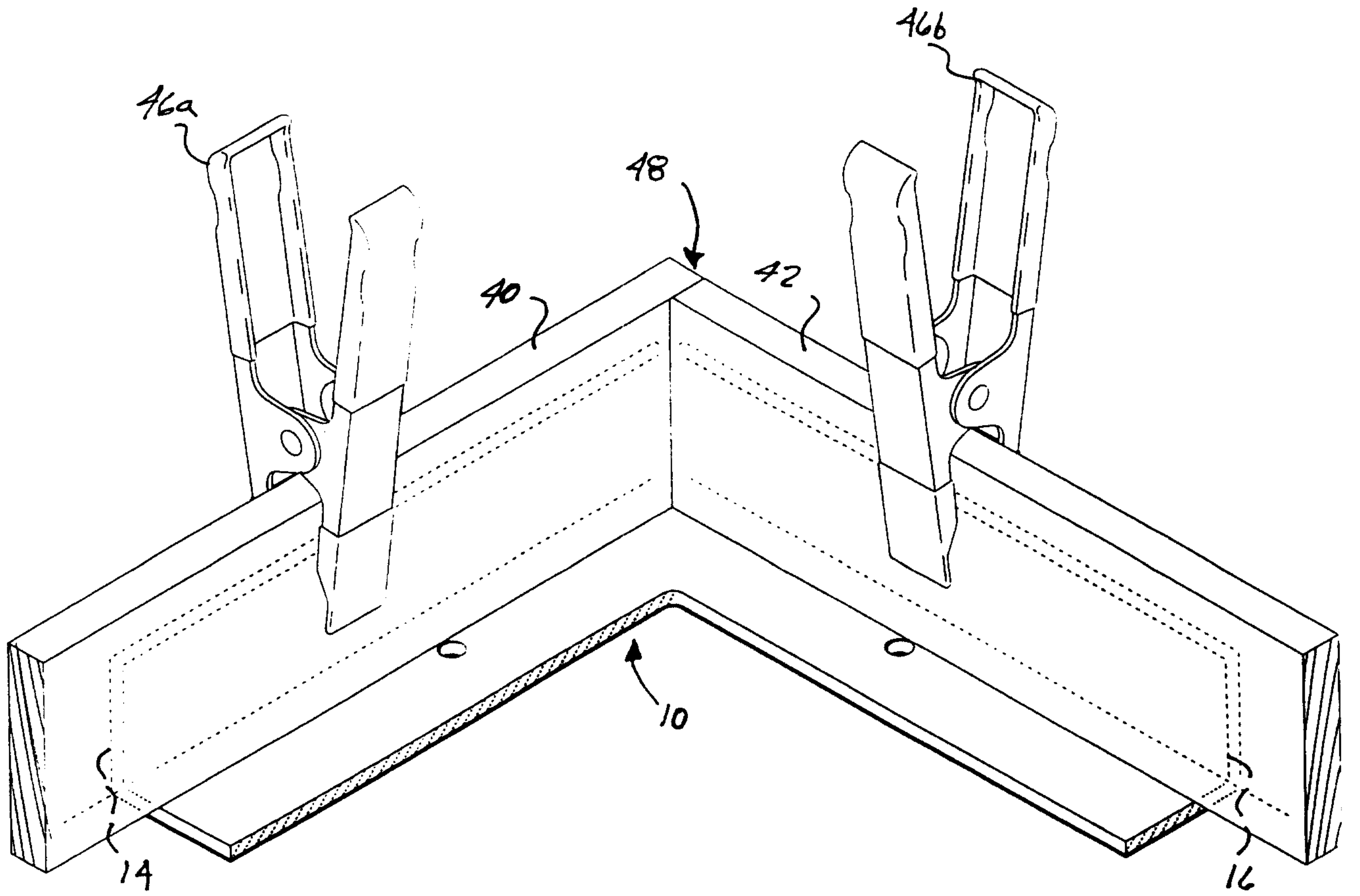
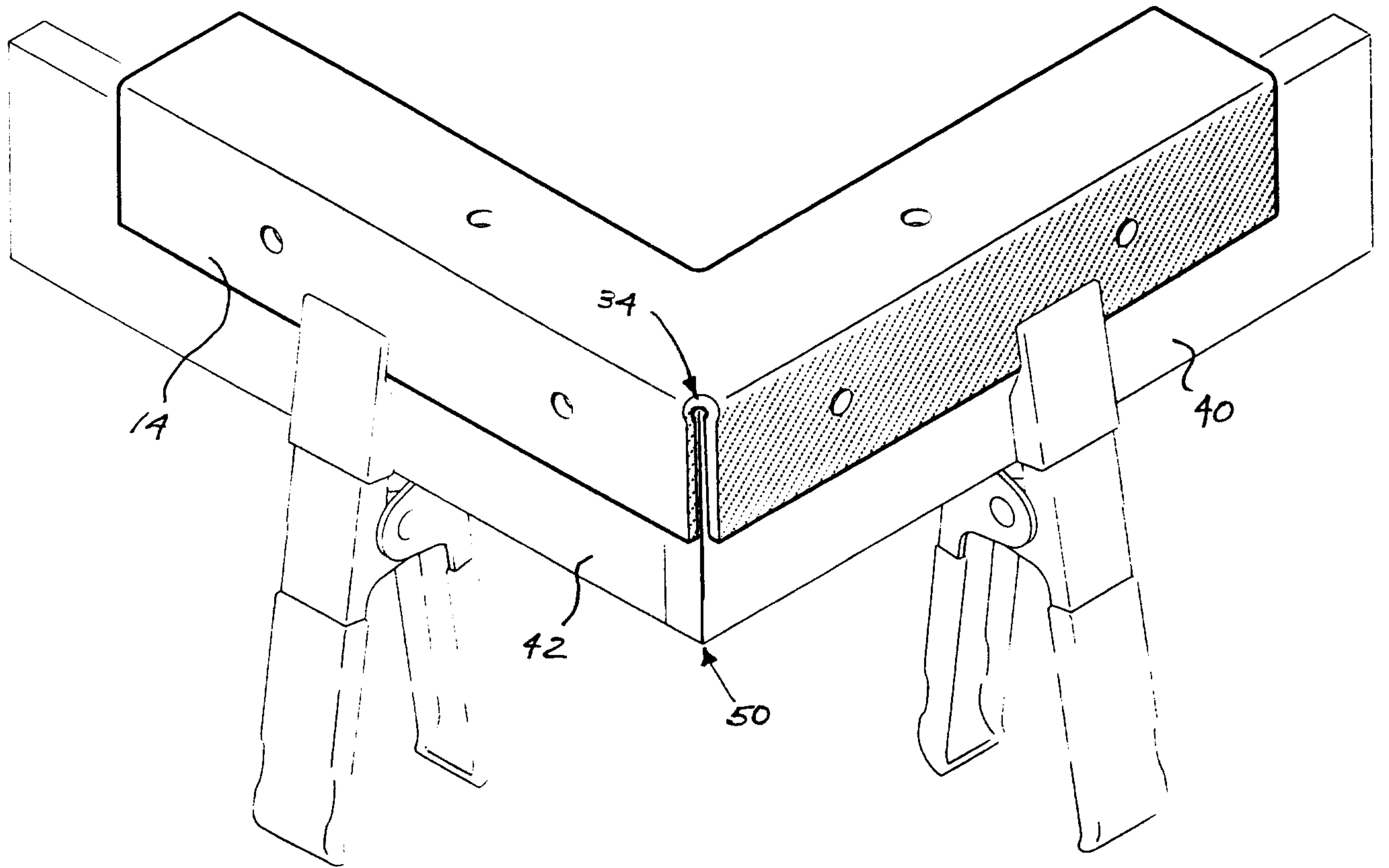


Fig. 3

Fig. 4



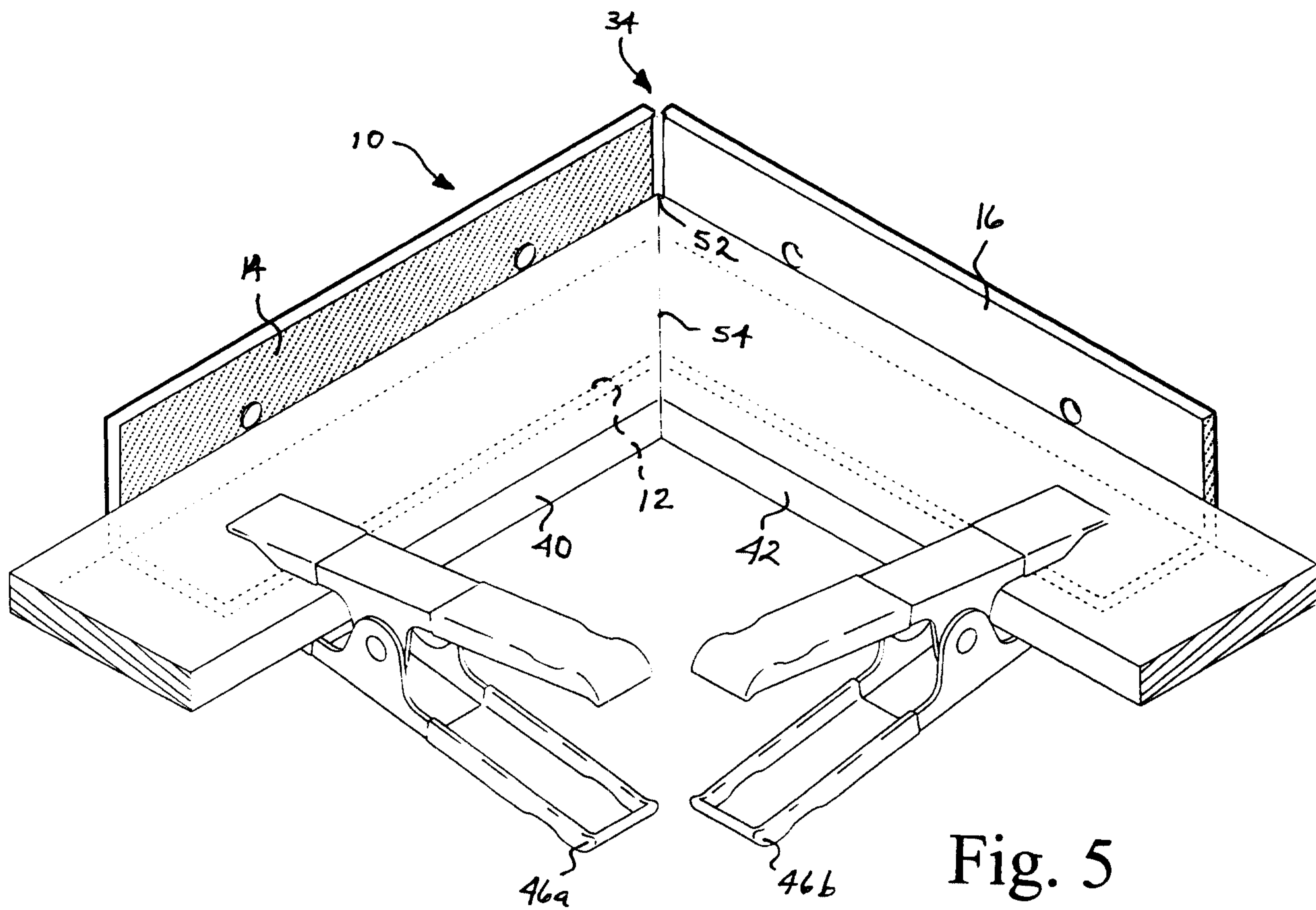


Fig. 5

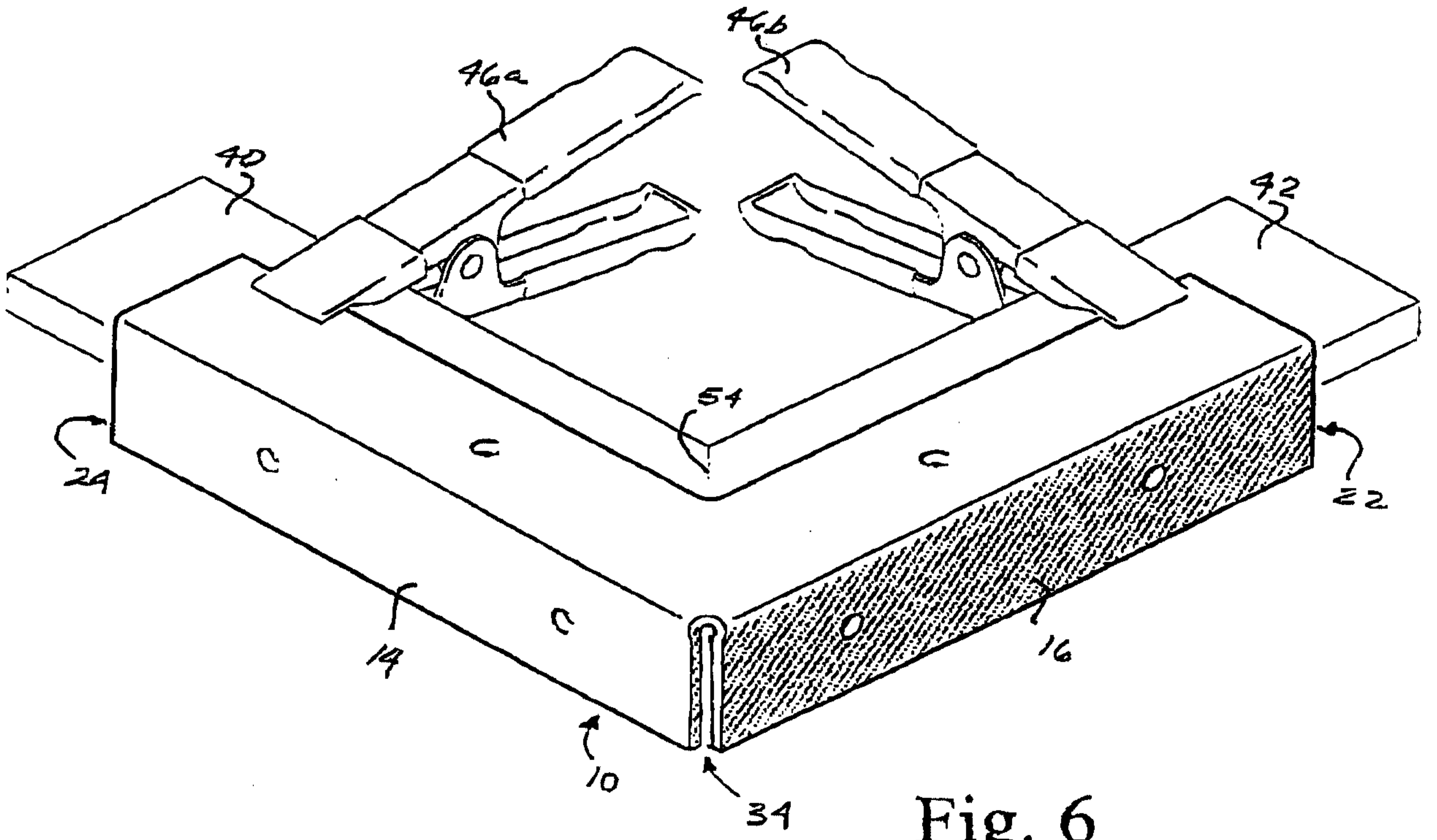


Fig. 6

