

(19) World Intellectual Property Organization
International Bureau



(43) International Publication Date
19 March 2009 (19.03.2009)

(10) International Publication Number
WO 2009/034544 A3

- (51) **International Patent Classification:**
F27B 9/14 (2006.01) C21B 13/00 (2006.01)
- (21) **International Application Number:**
PCT/IB2008/053683
- (22) **International Filing Date:**
12 September 2008 (12.09.2008)
- (25) **Filing Language:** English
- (26) **Publication Language:** English
- (30) **Priority Data:**
2007/05703 12 September 2007 (12.09.2007) ZA
- (71) **Applicant and**
- (72) **Inventor:** PRICE, Christopher James [ZA/ZA]; 642 Bluegrass Close Dainfern, 2055 Johannesburg (ZA).
- (74) **Agent:** DESSINGTON DE BEER; PO Box 1238 Rivonia, 2128 Johannesburg (ZA).
- (81) **Designated States** (unless otherwise indicated, for every kind of national protection available): AE, AG, AL, AM, AO, AT, AU, AZ, BA, BB, BG, BH, BR, BW, BY, BZ, CA, CH, CN, CO, CR, CU, CZ, DE, DK, DM, DO, DZ, EC, EE, EG, ES, FI, GB, GD, GE, GH, GM, GT, HN, HR, HU, ID, IL, IN, IS, JP, KE, KG, KM, KN, KP, KR,

KZ, LA, LC, LK, LR, LS, LT, LU, LY, MA, MD, ME, MG, MK, MN, MW, MX, MY, MZ, NA, NG, NI, NO, NZ, OM, PG, PH, PL, PT, RO, RS, RU, SC, SD, SE, SG, SK, SL, SM, ST, SV, SY, TJ, TM, TN, TR, TT, TZ, UA, UG, US, UZ, VC, VN, ZA, ZM, ZW.

(84) **Designated States** (unless otherwise indicated, for every kind of regional protection available): ARIPO (BW, GH, GM, KE, LS, MW, MZ, NA, SD, SL, SZ, TZ, UG, ZM, ZW), Eurasian (AM, AZ, BY, KG, KZ, MD, RU, TJ, TM), European (AT, BE, BG, CH, CY, CZ, DE, DK, EE, ES, FI, FR, GB, GR, HR, HU, IE, IS, IT, LT, LU, LV, MC, MT, NL, NO, PL, PT, RO, SE, SI, SK, TR), OAPI (BF, BJ, CF, CG, CI, CM, GA, GN, GQ, GW, ML, MR, NE, SN, TD, TG).

Published:

- with international search report (Art. 21(3))
- before the expiration of the time limit for amending the claims and to be republished in the event of receipt of amendments (Rule 48.2(h))

(88) **Date of publication of the international search report:**
3 September 2009

(54) **Title:** STATIC SLOPE REDUCTION FURNACE

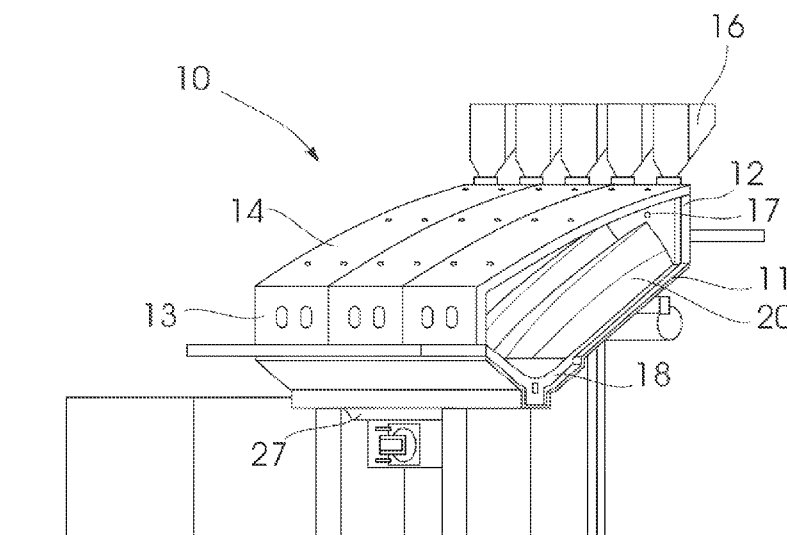


FIGURE 4

(57) **Abstract:** A static reduction furnace for the reduction of metal oxides is disclosed. The furnace includes a floor and a roof with walls extending between the floor and the roof, a feeder proximate a first end of the furnace, and a collector proximate a second end of the furnace opposite the first end configured to receive reduced feedstock from the floor. The feeder is configured to feed feedstock comprised of metal oxide and reductant onto the floor for reduction and to control the extent to which the feedstock extends from the first end to the second end of the furnace to allow feedstock to extend at least to the collector.

WO 2009/034544 A3

INTERNATIONAL SEARCH REPORT

International application No
PCT/IB2008/053683

A. CLASSIFICATION OF SUBJECT MATTER
INV. F27B9/14 C21B13/00

According to International Patent Classification (IPC) or to both national classification and IPC

B. FIELDS SEARCHED

Minimum documentation searched (classification system followed by classification symbols)
F27B C21B

Documentation searched other than minimum documentation to the extent that such documents are included in the fields searched

Electronic data base consulted during the international search (name of data base and, where practical, search terms used)

EPO-Internal

C. DOCUMENTS CONSIDERED TO BE RELEVANT

Category*	Citation of document, with indication, where appropriate, of the relevant passages	Relevant to claim No.
X Y	JP 10 251725 A (KOBE STEEL LTD) 22 September 1998 (1998-09-22) abstract figures 1,2 -----	1-15, 17-20 16
X Y	JP 06 088115 A (KAMIYAMA TSUYOSHI; KAMIYAMA KAZUE; KAMIYAMA SHIGERU) 29 March 1994 (1994-03-29) abstract figures 1-3 -----	1-15, 17-20 16
Y	WO 01/99473 A (FOURIE LOUIS JOHANNES [ZA]) 27 December 2001 (2001-12-27) cited in the application abstract -----	16

Further documents are listed in the continuation of Box C.

See patent family annex.

* Special categories of cited documents :

- *A* document defining the general state of the art which is not considered to be of particular relevance
- *E* earlier document but published on or after the international filing date
- *L* document which may throw doubts on priority claim(s) or which is cited to establish the publication date of another citation or other special reason (as specified)
- *O* document referring to an oral disclosure, use, exhibition or other means
- *P* document published prior to the international filing date but later than the priority date claimed

- *T* later document published after the international filing date or priority date and not in conflict with the application but cited to understand the principle or theory underlying the invention
- *X* document of particular relevance; the claimed invention cannot be considered novel or cannot be considered to involve an inventive step when the document is taken alone
- *Y* document of particular relevance; the claimed invention cannot be considered to involve an inventive step when the document is combined with one or more other such documents, such combination being obvious to a person skilled in the art.
- *&* document member of the same patent family

Date of the actual completion of the international search

14 July 2009

Date of mailing of the international search report

21/07/2009

Name and mailing address of the ISA/
European Patent Office, P.B. 5818 Patentlaan 2
NL - 2280 HV Rijswijk
Tel. (+31-70) 340-2040,
Fax: (+31-70) 340-3016

Authorized officer

Gimeno-Fabra, Lluís

INTERNATIONAL SEARCH REPORT

Information on patent family members

International application No

PCT/IB2008/053683

Patent document cited in search report	Publication date	Patent family member(s)	Publication date
JP 10251725	A	22-09-1998	NONE
JP 6088115	A	29-03-1994	NONE
WO 0199473	A	27-12-2001	AT 306183 T 15-10-2005
		AU 1549702 A	02-01-2002
		AU 2002215497 B2	01-06-2006
		BR 0111824 A	17-06-2003
		CA 2413307 A1	27-12-2001
		CN 1443434 A	17-09-2003
		DE 60113840 D1	10-11-2005
		DE 60113840 T2	13-07-2006
		EP 1295512 A2	26-03-2003
		ES 2250501 T3	16-04-2006
		JP 2004510939 T	08-04-2004
		MX PA02012815 A	30-07-2004
		TR 200202689 T2	22-11-2004
		US 2003103546 A1	05-06-2003