

(19) World Intellectual Property Organization
International Bureau



(43) International Publication Date
27 November 2003 (27.11.2003)

PCT

(10) International Publication Number
WO 2003/098399 A3

(51) International Patent Classification⁷: G06F 17/60

(21) International Application Number:
PCT/US2003/015736

(22) International Filing Date: 19 May 2003 (19.05.2003)

(25) Filing Language: English

(26) Publication Language: English

(30) Priority Data:
10/150,620 17 May 2002 (17.05.2002) US

GM, HR, HU, ID, IL, IN, IS, JP, KE, KG, KP, KR, KZ, LC, LK, LR, LS, LT, LU, LV, MA, MD, MG, MK, MN, MW, MX, MZ, NI, NO, NZ, OM, PH, PL, PT, RO, RU, SC, SD, SE, SG, SK, SL, TJ, TM, TN, TR, TT, TZ, UA, UG, US, UZ, VC, VN, YU, ZA, ZM, ZW.

(84) Designated States (regional): ARIPO patent (GH, GM, KE, LS, MW, MZ, SD, SL, SZ, TZ, UG, ZM, ZW), Eurasian patent (AM, AZ, BY, KG, KZ, MD, RU, TJ, TM), European patent (AT, BE, BG, CH, CY, CZ, DE, DK, EE, ES, FI, FR, GB, GR, HU, IE, IT, LU, MC, NL, PT, RO, SE, SI, SK, TR), OAPI patent (BF, BJ, CF, CG, CI, CM, GA, GN, GQ, GW, ML, MR, NE, SN, TD, TG).

(71) Applicant and

(72) Inventor: AVITALL, Boaz [US/US]; 6800 N. California Ave., Chicago, IL 60645 (US).

(74) Agent: SCOTT, Gene; Patent Law & Venture Group, 3151 Airway Avenue, Suite K-105, Costa Mesa, CA 92626-4613 (US).

Published:

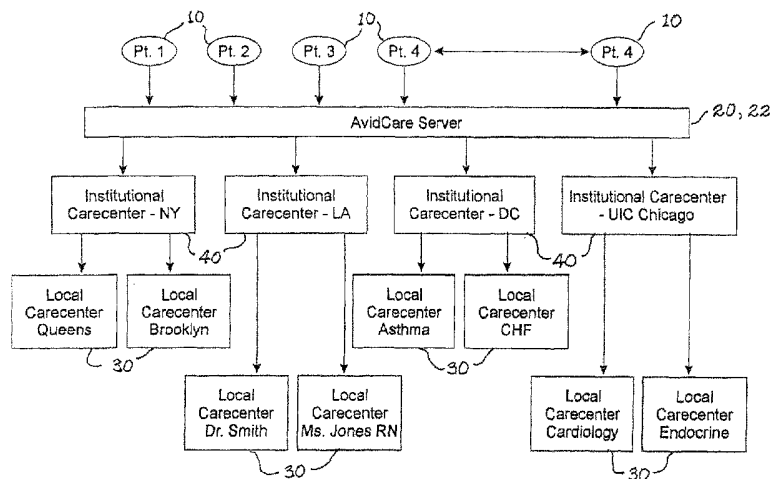
- with international search report
- before the expiration of the time limit for amending the claims and to be republished in the event of receipt of amendments

(88) Date of publication of the international search report:
29 December 2004

(81) Designated States (national): AE, AG, AL, AM, AT, AU, AZ, BA, BB, BG, BR, BY, BZ, CA, CH, CN, CO, CR, CU, CZ, DE, DK, DM, DZ, EC, EE, ES, FI, GB, GD, GE, GH,

For two-letter codes and other abbreviations, refer to the "Guidance Notes on Codes and Abbreviations" appearing at the beginning of each regular issue of the PCT Gazette.

(54) Title: HEALTH CARE INFORMATION MANAGEMENT SYSTEM AND METHOD

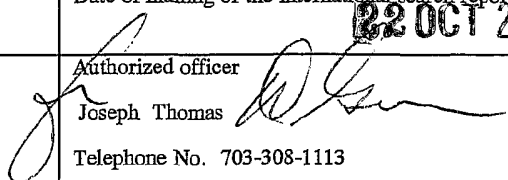


(57) Abstract: A health care information management method comprises the steps of establishing point-to-point communication between plural patient monitoring devices (10), and a distant medical informatics apparatus (20). Patient health status is continuously, or from time to time, sensed by the patient monitoring devices (10) which establish data signals corresponding to the patient health status. These signals are transferred to the medical informatics apparatus (20) over data links. The data signals are stored as patient information in a patient information database (22). A plurality of caregiver monitoring devices (30) are positioned distantly from, and in communication with, at least one of the patient monitoring (10) and the medical informatics apparatus (20) through Internet links and the point-to-point communication links. Patient preset values in the patient information database are compared with patient information and produce an alarm condition when the patient preset values are exceeded.

WO 2003/098399 A3

INTERNATIONAL SEARCH REPORT

International application No.
PCT/US03/15736

A. CLASSIFICATION OF SUBJECT MATTER		
IPC(7) : GO6F 17/60 US CL : 705/2, 3		
According to International Patent Classification (IPC) or to both national classification and IPC		
B. FIELDS SEARCHED		
Minimum documentation searched (classification system followed by classification symbols) U.S. : 705/2, 3		
Documentation searched other than minimum documentation to the extent that such documents are included in the fields searched 705/2, 3; 600/300		
Electronic data base consulted during the international search (name of data base and, where practicable, search terms used) Please See Continuation Sheet		
C. DOCUMENTS CONSIDERED TO BE RELEVANT		
Category *	Citation of document, with indication, where appropriate, of the relevant passages	Relevant to claim No.
Y	US 6,190,313 B1 (HINKLE) 20 February 2001 (20.02.2001), column 1, lines 21-67 to column 2, line 16	1-19
Y	US 5,671,734 A (PUGH) 30 September 1997 (30.09.1997), column 1, lines 4-67 to Col.2, line 67	1-19
Y	US 5,619,991A (SLOANE) 15 April 1997 (15.04.1997), column 5, lines 10-67 to col.6, line 67	1-19
Y	US 5,410,471 A (ALYFUKU et al.) 25 April 1995 (25.04.1995), column 1, lines 6-68 to column 2, line 68; column 7, lines 41-68 to column 8, line 68	1-19
<input type="checkbox"/> Further documents are listed in the continuation of Box C. <input type="checkbox"/> See patent family annex.		
* Special categories of cited documents:		
"A"	document defining the general state of the art which is not considered to be of particular relevance	"T" later document published after the international filing date or priority date and not in conflict with the application but cited to understand the principle or theory underlying the invention
"E"	earlier application or patent published on or after the international filing date	"X" document of particular relevance; the claimed invention cannot be considered novel or cannot be considered to involve an inventive step when the document is taken alone
"L"	document which may throw doubts on priority claim(s) or which is cited to establish the publication date of another citation or other special reason (as specified)	"Y" document of particular relevance; the claimed invention cannot be considered to involve an inventive step when the document is combined with one or more other such documents, such combination being obvious to a person skilled in the art
"O"	document referring to an oral disclosure, use, exhibition or other means	"&" document member of the same patent family
"P"	document published prior to the international filing date but later than the priority date claimed	
Date of the actual completion of the international search 20 September 2003 (20.09.2003)		Date of mailing of the international search report 22 OCT 2004
Name and mailing address of the ISA/US Mail Stop PCT, Attn: ISA/US Commissioner for Patents P.O. Box 1450 Alexandria, Virginia 22313-1450 Facsimile No. (703)305-3230		Authorized officer Joseph Thomas  Telephone No. 703-308-1113

INTERNATIONAL SEARCH REPORT

PCT/US03/15736

Continuation of B. FIELDS SEARCHED Item 3:

WEST :healthcare, management, patient monitor device, patient information database, patient preset value, compare, alarm condition