

(19) World Intellectual Property Organization
International Bureau



(43) International Publication Date
6 January 2000 (06.01.2000)

PCT

(10) International Publication Number
WO 00/00144 A3

(51) International Patent Classification⁷: A61F 13/42

(21) International Application Number: PCT/US99/14661

(22) International Filing Date: 29 June 1999 (29.06.1999)

(25) Filing Language: English

(26) Publication Language: English

(30) Priority Data:
09/106,424 29 June 1998 (29.06.1998) US

(71) Applicant: **THE PROCTER & GAMBLE COMPANY**
[US/US]; One Procter & Gamble Plaza, Cincinnati, OH
45202 (US).

(72) Inventors: **ROE, Donald, Carroll**; 6324 Emberwood
Court, West Chester, OH 45069 (US). **ALLEN, Patrick,
Jay**; 8667 Arcturus Drive, Cincinnati, OH 45249 (US).

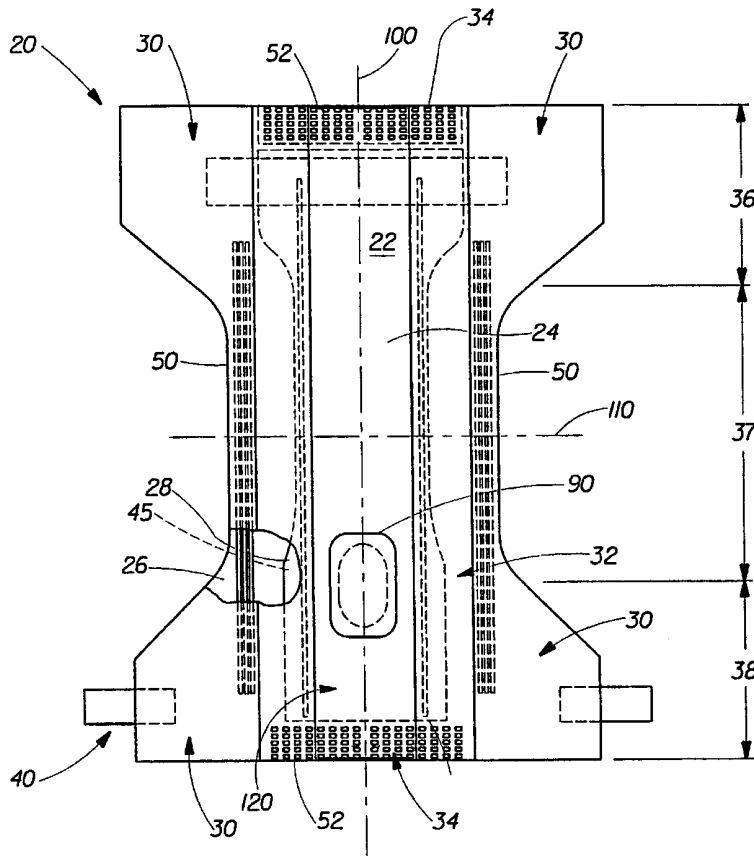
EHRNSPERGER, Bruno, Johannes; Westerbachstrasse
89, D-65936 Frankfurt am Main (DE). **SCHMIDT, Ma-
tias**; Altkoenigweg 3, D-65510 Idstein (DE). **RONN,
Karl, Patrick**; 8055 Graves Road, Cincinnati, OH 45243
(US). **KRUCHININ, Mikhail**; Apartment 320, 11-1
Kupchinskay Avenue, Saint Petersburg, 192284 (RU).
LITVIN, Simon, Solomonovich; 4 Kippy Drive, Newton,
MA 02468 (US). **KHOMJAKOV, Oleg, Nikolaevich**;
Apartment 27, 50 Zamshina Street, Saint Petersburg,
195271 (RU).

(74) Agents: **REED, T., David et al.**; The Procter & Gam-
ble Company, 5299 Spring Grove Avenue, Cincinnati, OH
45217-1087 (US).

(81) Designated States (*national*): AE, AL, AM, AT, AT (util-
ity model), AU, AZ, BA, BB, BG, BR, BY, CA, CH, CN,
CU, CZ, CZ (utility model), DE, DE (utility model), DK,
DK (utility model), EE, EE (utility model), ES, FI, FI (util-
ity model), GB, GD, GE, GH, GM, HR, HU, ID, IL, IN,
IS, JP, KE, KG, KP, KR, KZ, LC, LK, LR, LS, LT, LU, LV,

[Continued on next page]

(54) Title: DISPOSABLE ABSORBENT ARTICLE HAVING A DISCONTINUOUS RESPONSIVE SYSTEM



(57) Abstract: Disposable articles such as diapers, incontinent briefs, diaper holders and/or inserts, training pants, feminine hygiene garments, tampons, and the like, having a responsive system. The article includes a sensor that detects an input, an actuator that is adapted to perform a responsive function upon the input, and a feedback control loop in which the actuator is adapted to perform the responsive function upon the input in a discontinuous manner. The responsive system may include an open loop or a closed loop system.



WO 00/00144 A3



MD, MG, MK, MN, MW, MX, NO, NZ, PL, PT, RO, RU,
SD, SE, SG, SI, SK, SK (utility model), SL, TJ, TM, TR,
TT, UA, UG, UZ, VN, YU, ZA, ZW.

Published:

— *with international search report*

(84) Designated States (regional): ARIPO patent (GH, GM, KE, LS, MW, SD, SL, SZ, UG, ZW), Eurasian patent (AM, AZ, BY, KG, KZ, MD, RU, TJ, TM), European patent (AT, BE, CH, CY, DE, DK, ES, FI, FR, GB, GR, IE, IT, LU, MC, NL, PT, SE), OAPI patent (BF, BJ, CF, CG, CI, CM, GA, GN, GW, ML, MR, NE, SN, TD, TG).

(88) Date of publication of the international search report:
1 November 2001

For two-letter codes and other abbreviations, refer to the "Guidance Notes on Codes and Abbreviations" appearing at the beginning of each regular issue of the PCT Gazette.

INTERNATIONAL SEARCH REPORT

International Application No
PCT/US 99/14661

A. CLASSIFICATION OF SUBJECT MATTER
IPC 7 A61F13/42

According to International Patent Classification (IPC) or to both national classification and IPC

B. FIELDS SEARCHED

Minimum documentation searched (classification system followed by classification symbols)
IPC 7 A61F C12Q G01N A61B G08B

Documentation searched other than minimum documentation to the extent that such documents are included in the fields searched

Electronic data base consulted during the international search (name of data base and, where practical, search terms used)

C. DOCUMENTS CONSIDERED TO BE RELEVANT

Category *	Citation of document, with indication, where appropriate, of the relevant passages	Relevant to claim No.
X	US 5 330 459 A (BECK THEODORA ET AL) 19 July 1994 (1994-07-19) cited in the application the whole document ---	1,2,4,9, 10,13, 14,17
X	WO 94 24974 A (COSTA ROGERIO ;MCNEIL PPC INC (US)) 10 November 1994 (1994-11-10) claims; figures ---	1,2,4,9, 10,12, 14,17
X	US 4 335 722 A (JACKSON DAVID M) 22 June 1982 (1982-06-22) the whole document ---	1,12,14, 17
	-/--	

Further documents are listed in the continuation of box C.

Patent family members are listed in annex.

* Special categories of cited documents :

- "A" document defining the general state of the art which is not considered to be of particular relevance
- "E" earlier document but published on or after the international filing date
- "L" document which may throw doubts on priority claim(s) or which is cited to establish the publication date of another citation or other special reason (as specified)
- "O" document referring to an oral disclosure, use, exhibition or other means
- "P" document published prior to the international filing date but later than the priority date claimed

- "T" later document published after the international filing date or priority date and not in conflict with the application but cited to understand the principle or theory underlying the invention
- "X" document of particular relevance; the claimed invention cannot be considered novel or cannot be considered to involve an inventive step when the document is taken alone
- "Y" document of particular relevance; the claimed invention cannot be considered to involve an inventive step when the document is combined with one or more other such documents, such combination being obvious to a person skilled in the art.
- "&" document member of the same patent family

Date of the actual completion of the international search

5 November 1999

Date of mailing of the international search report

11/11/1999

Name and mailing address of the ISA

European Patent Office, P.B. 5818 Patentlaan 2
NL - 2280 HV Rijswijk
Tel. (+31-70) 340-2040, Tx. 31 651 epo nl,
Fax: (+31-70) 340-3016

Authorized officer

Mirza, A

INTERNATIONAL SEARCH REPORT

International Application No

PCT/US 99/14661

C.(Continuation) DOCUMENTS CONSIDERED TO BE RELEVANT

Category *	Citation of document, with indication, where appropriate, of the relevant passages	Relevant to claim No.
A	PATENT ABSTRACTS OF JAPAN vol. 014, no. 047 (C-0682), 29 January 1990 (1990-01-29) & JP 01 277558 A (SILVER RIHABIRITEESHIYON KYOKAI; OTHERS: 01), 8 November 1989 (1989-11-08) abstract ---	8
A	WO 96 20681 A (GERSTENZANG WILLIAM C ; SHUMINOV ASHER (IL)) 11 July 1996 (1996-07-11) abstract ---	8
P,X	WO 98 29079 A (KIMBERLY CLARK CO) 9 July 1998 (1998-07-09) claims; figures ---	1,2,14, 17
P,X	WO 99 07317 A (KIMBERLY CLARK CO) 18 February 1999 (1999-02-18) claims; figures -----	1,2,10, 13,14,17

INTERNATIONAL SEARCH REPORT

Information on patent family members

International Application No

PCT/US 99/14661

Patent document cited in search report	Publication date	Patent family member(s)	Publication date
US 5330459 A	19-07-1994	AT 161706 T AU 6959094 A CA 2165296 A DE 69407786 D DE 69407786 T DK 705087 T EP 0705087 A ES 2111307 T GR 3026375 T JP 8511704 T WO 9500090 A	15-01-1998 17-01-1995 05-01-1995 12-02-1998 23-04-1998 23-02-1998 10-04-1996 01-03-1998 30-06-1998 10-12-1996 05-01-1995
WO 9424974 A	10-11-1994	BR 9301708 A AU 6941794 A	08-11-1994 21-11-1994
US 4335722 A	22-06-1982	NONE	
JP 01277558 A	08-11-1989	NONE	
WO 9620681 A	11-07-1996	IL 112226 A AU 4649696 A US 5808554 A	26-01-1999 24-07-1996 15-09-1998
WO 9829079 A	09-07-1998	AU 5729498 A	31-07-1998
WO 9907317 A	18-02-1999	AU 8602698 A	01-03-1999