

(19) World Intellectual Property Organization  
International Bureau



(43) International Publication Date  
10 December 2009 (10.12.2009)

(10) International Publication Number  
**WO 2009/147458 A1**

- (51) International Patent Classification:  
A41B 9/02 (2006.01)
- (21) International Application Number:  
PCT/HR2008/000020
- (22) International Filing Date:  
4 June 2008 (04.06.2008)
- (25) Filing Language: English
- (26) Publication Language: English
- (71) Applicant and  
(72) Inventor: DELIJA, Frane [HR/HR]; Doverska 33,  
21000 Split (HR).
- (74) Agent: DIATUS; Poljicka cesta 31, 21000 Split (HR).
- (81) Designated States (unless otherwise indicated, for every kind of national protection available): AE, AG, AL, AM, AO, AT, AU, AZ, BA, BB, BG, BH, BR, BW, BY, BZ, CA, CH, CN, CO, CR, CU, CZ, DE, DK, DM, DO, DZ, EC, EE, EG, ES, FI, GB, GD, GE, GH, GM, GT, HN,

HR, HU, ID, IL, IN, IS, JP, KE, KG, KM, KN, KP, KR, KZ, LA, LC, LK, LR, LS, LT, LU, LY, MA, MD, ME, MG, MK, MN, MW, MX, MY, MZ, NA, NG, NI, NO, NZ, OM, PG, PH, PL, PT, RO, RS, RU, SC, SD, SE, SG, SK, SL, SM, SV, SY, TJ, TM, TN, TR, TT, TZ, UA, UG, US, UZ, VC, VN, ZA, ZM, ZW.

(84) Designated States (unless otherwise indicated, for every kind of regional protection available): ARIPO (BW, GH, GM, KE, LS, MW, MZ, NA, SD, SL, SZ, TZ, UG, ZM, ZW), Eurasian (AM, AZ, BY, KG, KZ, MD, RU, TJ, TM), European (AT, BE, BG, CH, CY, CZ, DE, DK, EE, ES, FI, FR, GB, GR, HR, HU, IE, IS, IT, LT, LU, LV, MC, MT, NL, NO, PL, PT, RO, SE, SI, SK, TR), OAPI (BF, BJ, CF, CG, CI, CM, GA, GN, GQ, GW, ML, MR, NE, SN, TD, TG).

Published:  
— with international search report (Art. 21(3))

(54) Title: MEN'S BRIEFS WITH SEPARATE SPACE FOR PENIS

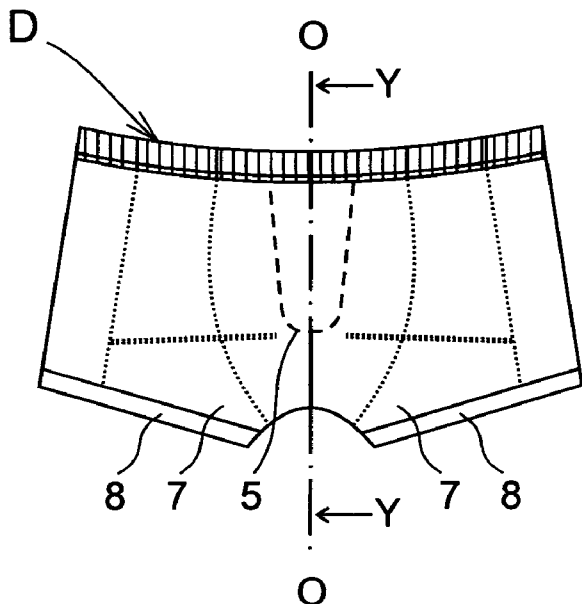


Fig. 6.

(57) Abstract: The penis and the testicles are permanently in contact, which is not good from the hygienic and health points of view. By constant contact and rubbing, the penis additionally warms the testicles, which is one of causes of men's sterility. Briefs clinging tightly to the body also cause unpleasant constricting of the penis and the testicles. The men's briefs comprise: the outer panel (A), the insert (B) and the inner panel (C). The insert and the inner panel are symmetrically connected to the inner side of the outer panel. The inner panel has the slot (U) that, when connected to the outer panel, forms the opening (5) for the penis to enter. The inner panel, too, in order to stiffen the front part of the briefs, is connected to the insert and the outer panel by tilted seams (6) below which remains the separate opening (7) receiving the penis. Thus, the testicles remain in their normal position between the legs, physically separated from the penis, wherefore the penis does not press, warm or rub the testicles.

WO 2009/147458 A1

# **MEN'S BRIEFS WITH SEPARATE SPACE FOR PENIS**

## **INVENTION DESCRIPTION**

### **1. FIELD OF APPLICATION**

The invention relates to men's underwear, in particular men's underpants, at the inner side of their front part having separate space to physically separate the penis from the testicles.

In the International Patent Classification, it is classified as Section A - Human necessities, Class A 41 - Wearing apparel, Subclass A 41 B - Underwear, Group 9/00 - Undergarments, and Subgroup 9/02 - Drawers or underpants for men, with or without inserted crotch or seat parts.

### **2. TECHNICAL PROBLEM**

The penis and the testicles are constantly in contact, which is not good from the hygienic and health points of view. Due to their position, these organs are constantly exposed to sweating. Particularly negative effect is from the drops of urine remaining after urination. By constant contact and rubbing, the penis additionally warms the testicles, which is one of causes of men's sterility. Briefs clinging tightly to the body also cause unpleasant constricting of the penis and the testicles.

The technical problem that is solved by this invention relates to designing of men's briefs where the penis will be physically separated from the testicles, where it will always stay in the falling position, and where constriction of the penis and the testicles will be minimised.

### **3. STATE OF THE ART**

Presently there are many men's brief designs known, with or without legs, made to cling against the body or not.

The above problems are manifest in all the existing brief designs, because they have no separate space to receive the penis.

#### 4. DISCLOSURE OF THE INVENTION

The essence of the invention are men's briefs with separate space for the penis, at the inner side of their front part.

Men's briefs with separate space for the penis comprise: the outer panel, the insert, the inner panel and the belt. The outer panel can consist of one or several pieces. To inner side of the front part of the outer panel there is sawn the stiffening insert, and over it the inner panel. The insert and the inner panel are fixed symmetrically to the outer panel, relative to the midline of the briefs. The inner panel has the large U-shaped opening allowing the penis into the separate space. The U-opening runs from the upper edge of the inner panel to the middle of the panel height. At the level of the lower part of the U-opening, at certain distance, symmetrical to the brief midline, in order to stiffen the front side of the briefs, the outer panel, the insert and the inner panel are sewn with tilted seams, below which, left and right of the U-opening, there is created a separate space to receive the penis. This space is closed at its bottom side with the leg edge.

The shape of the opening for entering the penis and the height at which it is made are adjusted to allow the penis to smoothly enter its separate space when the briefs are being put on. This way, the testicles remain in their normal position, always physically separated from the penis.

#### 5. ILLUSTRATION DESCRIPTIONS

Figure 1. shows the outer panel A.

Figure 2. shows the insert B.

Figure 3. shows the inner panel C.

Figure 4. shows the insert B sewn to the outer panel A - at the inner side of the briefs.

Figure 5. shows the inner panel C sewn to the outer panel A - at the inner side of the briefs.

Figure 6. shows the finished briefs, front view.

Figure 7. shows the finished briefs - upper view.

Figure 8. shows the finished briefs - cross section Y-Y in the Figure 6.

## 6. DETAILED DESCRIPTION OF THE INVENTION EMBODIMENT

The men's briefs with separate space for the penis, according to this invention, eliminate deficiencies of the present brief cuts, related to their hygienic and health properties and physical discomforts. The separate space for the penis is situated at the inner side of front part of the briefs, between the insert and the inner panel.

The men's briefs with separate space for the penis include: the outer panel A, the insert B and the inner panel C and the belt D.

Figures 1. to 3. show component parts of the men's briefs with separate space for the penis, whereas Figures 4. to 6. show their assembling.

Figure 1. shows the front part of the outer panel A with the edge 1. The outer panel is round shaped and is made from one or several pieces.

Figure 2. shows the insert B with the edge 2. The insert is to stiffen the outer panel at the front part of the briefs.

Figure 3. shows the inner panel C with the edge 3. The inner panel has a U-shaped slot that forms opening 5 which enables the penis to enter the separate space. The U-slot starts from the upper edge and proceeds vertically and symmetrically through the midline down to two thirds of the panel height.

Figure 4. shows connecting of the insert B at the inner side of the front part of the outer panel A. The connection is made by a seam running along the edge 2 of the insert B. The outer panel and the insert are also mutually connected with the vertical seam 4, from the bottom edge to one third of the height of the insert, this producing reinforcement and partial humping of the sewn connection 4 outwards, behind which there is more space left for the penis.

Figure 5. shows connecting of the inner panel C at the inner side of front part of the outer panel A. The connection is made by a seam running along the edge 3 of the inner panel C. After sewing, the U-slot forms the opening 5 that enables the penis to enter the separate space. At the level of the lower part of the penis entrance, at certain distance, symmetrically left and right from the opening, the outer panel A, the insert B and the inner panel C are partly connected with the tilted seams 6, leaving between the seams the opening 5 enabling the penis to enter, and below the seams leaving the separate space 7 to contain the penis. The tilted seams 6 additionally stiffen the front side of the briefs,

keeping the opening 5 at the U-slot always open, which is particularly important at putting the briefs on.

The insert B and the inner panel C are fitted at the inner side to the outer panel A, symmetrically relative to the brief midline O-O.

Figure 6. shows finished briefs with separate space for the penis, having at their upper side sewn the circular belt D. At the lower part of the briefs there are partially mutually connected ends of the outer panel, the insert and the inner panel, whereas the remaining parts at the left and the right side form the leg openings 8.

Figure 7. shows upper view of the briefs shown at the Figure 6.

Figure 8. shows cross section Y-Y of the briefs shown at the Figure 6.

The above described briefs embodiment enables the testicles to retain their normal position between the legs, physically separated from the penis which is situated in a separate space, so that the penis neither presses, warms nor rubs the testicles.

Regardless of the body movements and position, the penis will always remain in the separate space, which fully satisfies the essence and the function of the invention.

The position and width of the penis space are adjusted to the sort, shape, cut and design of both the briefs as a whole and their particular parts. The function of the separate penis receiving space, however, remains unchanged.

#### REFERRAL MARKS:

The referral letter and number marks used in the invention description and illustrations have the following meanings:

- A - outer panel
- B - insert
- C - inner panel
- D - belt
- U - slot enabling the penis to enter the separate space
- 1 - outer panel edge
- 2 - insert edge
- 3 - inner panel edge

- 4 - vertical seam between the outer panel and the insert
- 5 - opening enabling the penis to enter the separate space 7
- 6 - tilted seams additionally stiffening the front part of the briefs, below which is the separate space for the penis
- 7 - separate space receiving the penis
- 8 - legs

## 7. INVENTION APPLICATION

The invention application is self-evident.

The men's briefs with separate space for the penis, according to this invention, make a very useful part of underwear, aimed to the man's health, that can be manufactured very economically and in numerous embodiments. It includes essential improvements relative to previously known briefs of this type.

Experts will find it obvious that certain modifications of the design of the separate penis space are possible, given the briefs design, however not leaving the spirit of the invention.

## PATENT CLAIMS

1. Men's briefs with separate space for the penis, made as short or long leg briefs, with flexible belt, having the separate penis space at their front inner part, *wherein* they comprise: the outer panel (A), the insert (B), the inner panel (C) and the belt (D); the insert (B) is connected to the inner side of the outer panel (A) by the lateral edges (2) and the vertical seam (4); the inner panel (C) is connected to the inner side of the outer panel (A) by the lateral edges (3); the inner panel (C) has the U-shaped slot (U), at the bottom side of the slot (U) forming the opening (5); at the level of the lower part of the opening, symmetrically to the left and the right, the outer panel (A), the insert (B) and the inner panel (C), are partly mutually connected by tilted seams (6), between the seams remaining the opening (5) that enables the penis to enter, and below the seams remaining the separate space (7) to receive the penis, connected with the penis entrance opening (5); at the lower part of the briefs there are mutually partly connected ends of the outer panel, the insert and the inner panel, whereas the remaining part, left and right, make the leg openings (8).
2. The briefs, as claimed in Claim 1., *wherein* the insert (B) and the inner panel (C) are connected to the inner front part of the outer panel (A), symmetrically relative to the brief midline (O-O).
3. The briefs, as claimed in Claims 1. and 2., *wherein* the slot (U) in the inner panel (C) is made vertical and symmetrical to the panel midline, running from the upper edge down to two thirds of the panel height.
4. The briefs, as claimed in Claims 1., 2. and 3., *wherein* height and width of the slot (U) in the inner panel (C), that is, the penis entrance opening (5), is adjusted to the size and design of the entire brief as well as its particular parts, whereas the position and function of the separate space (7) receiving the penis remain unchanged.

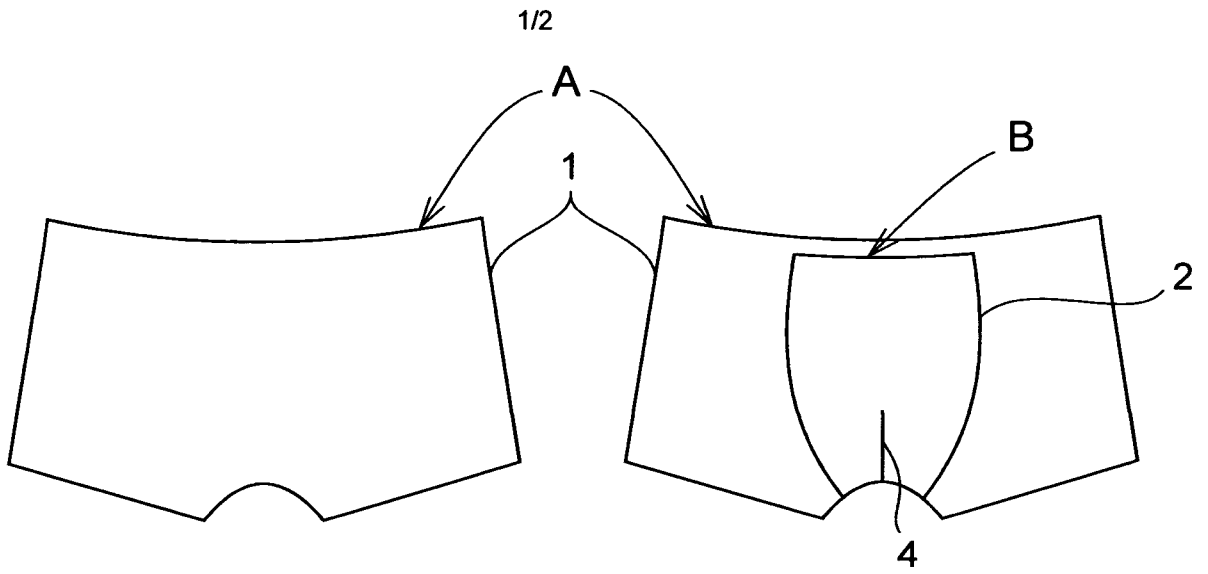


Fig. 1.

Fig. 4.

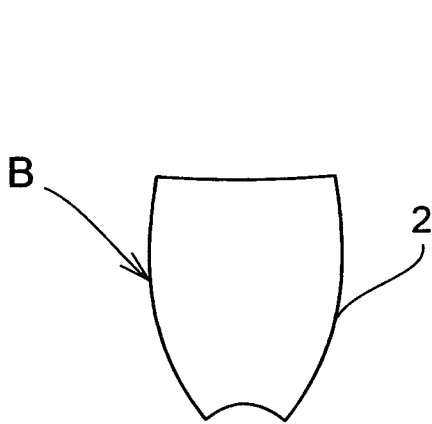


Fig. 2.

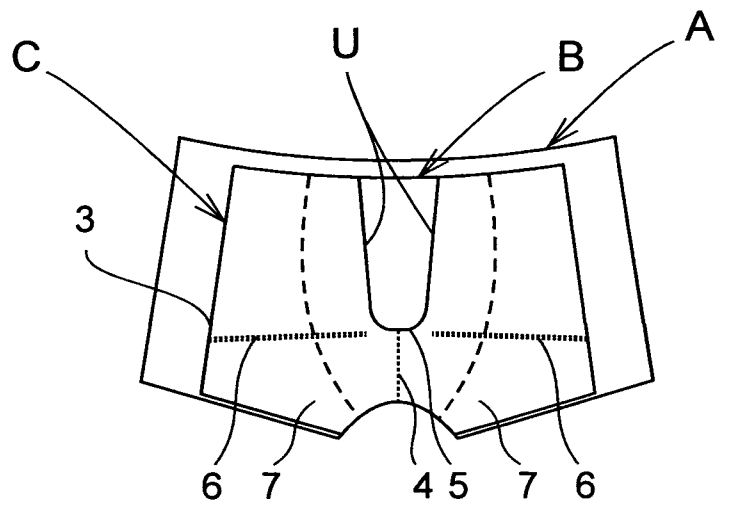


Fig. 5.

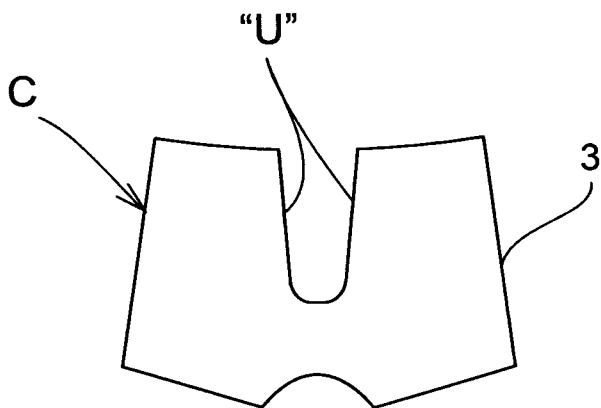


Fig. 3.

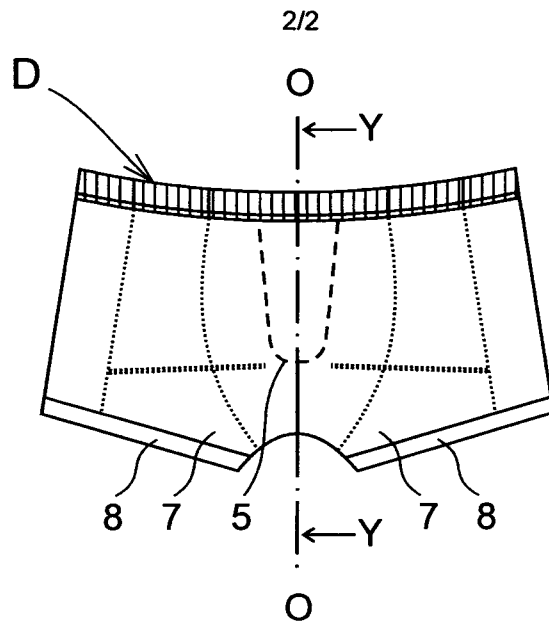


Fig. 6.

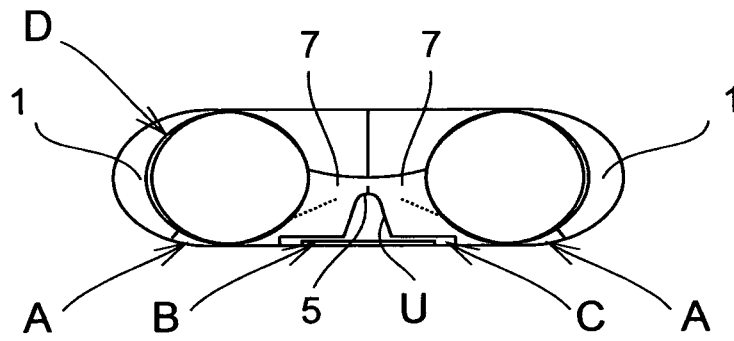


Fig. 7.

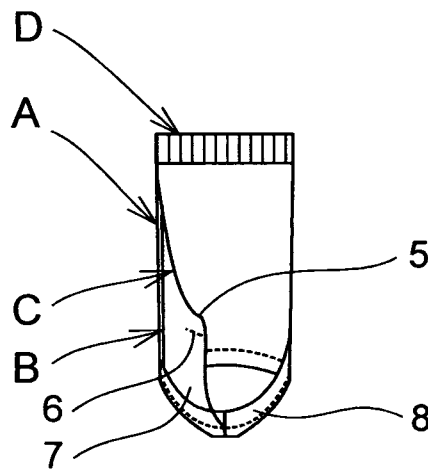


Fig. 8.

## INTERNATIONAL SEARCH REPORT

International application No

PCT/HR2008/000020

A. CLASSIFICATION OF SUBJECT MATTER  
INV. A41B9/02

According to International Patent Classification (IPC) or to both national classification and IPC

## B. FIELDS SEARCHED

Minimum documentation searched (classification system followed by classification symbols)  
A41B

Documentation searched other than minimum documentation to the extent that such documents are included in the fields searched

Electronic data base consulted during the international search (name of data base and, where practical, search terms used)

EPO-Internal

## C. DOCUMENTS CONSIDERED TO BE RELEVANT

Category*	Citation of document, with indication, where appropriate, of the relevant passages	Relevant to claim No.
A	EP 0 230 102 A (ZHANG LI ZHONG) 29 July 1987 (1987-07-29) page 8, paragraphs 3,4 page 9, paragraphs 2,4; figures 3d,4,13	1-4
A	JP 2006 214026 A (ISHIKAWA YOKO) 17 August 2006 (2006-08-17) abstract; figures 1,2	1-4
A	FR 2 841 439 A (DE LAAGE DE BELLEFAYE FRANCK [FR]) 2 January 2004 (2004-01-02) claim 1; figure 4	1-4
A	WO 01/37687 A (GALIANA CARRILLO MAURICIO [ES]) 31 May 2001 (2001-05-31) page 2; figure 1	1-4



Further documents are listed in the continuation of Box C.



See patent family annex.

## \* Special categories of cited documents :

- \*A\* document defining the general state of the art which is not considered to be of particular relevance
- \*E\* earlier document but published on or after the international filing date
- \*L\* document which may throw doubts on priority claim(s) or which is cited to establish the publication date of another citation or other special reason (as specified)
- \*O\* document referring to an oral disclosure, use, exhibition or other means
- \*P\* document published prior to the international filing date but later than the priority date claimed

- \*T\* later document published after the international filing date or priority date and not in conflict with the application but cited to understand the principle or theory underlying the invention
- \*X\* document of particular relevance; the claimed invention cannot be considered novel or cannot be considered to involve an inventive step when the document is taken alone
- \*Y\* document of particular relevance; the claimed invention cannot be considered to involve an inventive step when the document is combined with one or more other such documents, such combination being obvious to a person skilled in the art.
- \* & \* document member of the same patent family

Date of the actual completion of the international search

12 February 2009

Date of mailing of the international search report

19/02/2009

Name and mailing address of the ISA/

European Patent Office, P.B. 5818 Patentlaan 2  
NL - 2280 HV Rijswijk  
Tel. (+31-70) 340-2040,  
Fax: (+31-70) 340-3016

Authorized officer

Monné, Eric

# INTERNATIONAL SEARCH REPORT

Information on patent family members

International application No

PCT/HR2008/000020

Patent document cited in search report		Publication date	Patent family member(s)	Publication date
EP 0230102	A	29-07-1987	NONE	
JP 2006214026	A	17-08-2006	NONE	
FR 2841439	A	02-01-2004	NONE	
WO 0137687	A	31-05-2001	ES 1044601 U	16-05-2000