



(12) **United States Design Patent**
Kitayama et al.

(10) **Patent No.:** **US D829,913 S**
(45) **Date of Patent:** **** Oct. 2, 2018**

(54) **BED OF A SCANNER FOR AN X-RAY TOMOGRAPHY DIAGNOSIS APPARATUS FOR MEDICAL USE**

D727,509 S * 4/2015 Tan D24/159
D736,934 S * 8/2015 Kim D24/183
D770,049 S * 10/2016 Yanagihara D24/159

(71) Applicant: **Canon Medical Systems Corporation**,
Otawara-shi, Tochigi (JP)

FOREIGN PATENT DOCUMENTS

JP 1241676 6/2005
JP 1370712 3/2010
JP 1470200 5/2013

(72) Inventors: **Masahiko Kitayama**, Tokyo (JP); **Jun Ooshima**, Nasushiobara (JP)

* cited by examiner

(73) Assignee: **Canon Medical Systems Corporation**,
Otawara-shi (JP)

Primary Examiner — Anhdao Doan

(**) Term: **15 Years**

(74) *Attorney, Agent, or Firm* — Finnegan, Henderson,
Farabow, Garrett & Dunner LLP

(21) Appl. No.: **29/601,250**

(57) **CLAIM**

(22) Filed: **Apr. 20, 2017**

The ornamental design for a bed of a scanner for an x-ray tomography diagnosis apparatus for medical use, as shown and described.

(30) **Foreign Application Priority Data**

DESCRIPTION

Feb. 9, 2017 (JP) 2017-002341

(51) **LOC (11) Cl.** **24-01**

(52) **U.S. Cl.**
USPC **D24/159; D24/183**

(58) **Field of Classification Search**
USPC D24/158-161, 185, 186, 107, 183, 184
CPC .. A61G 13/1235; A61G 2210/50; A61B 6/04;
A61B 6/0407; A61F 5/3723; A61F
5/3761

FIG. 1 is a perspective view of a bed of a scanner for an x-ray tomography diagnosis apparatus for medical use showing our new design;

FIG. 2 is another perspective view thereof;

FIG. 3 is a front elevational view thereof,

FIG. 4 is a rear elevational view thereof,

FIG. 5 is a top plan view thereof,

FIG. 6 is a bottom plan view thereof,

FIG. 7 is a left side elevational view thereof,

FIG. 8 is a right side elevational view thereof,

FIG. 9 is a right side elevational view where the bed is lowered thereof,

FIG. 10 is a front elevational view where the bed is lowered thereof,

FIG. 11 is a perspective view where the slide top table is moved thereof; and,

FIG. 12 is a perspective view where the upper portion of the slide bed is moved thereof.

See application file for complete search history.

(56) **References Cited**

U.S. PATENT DOCUMENTS

7,020,917 B1 * 4/2006 Kolody A61B 6/0442
108/28
D553,246 S * 10/2007 Banryu D24/183
D681,208 S * 4/2013 Ninomiya D24/159
D701,605 S * 3/2014 Ohmukai D24/183
D726,319 S * 4/2015 Sul D24/159

1 Claim, 9 Drawing Sheets

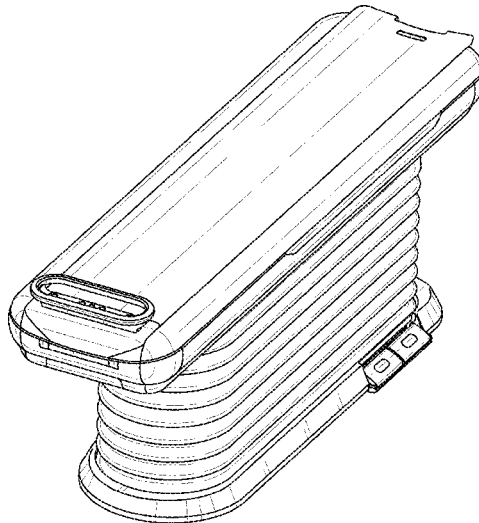


Fig. 1

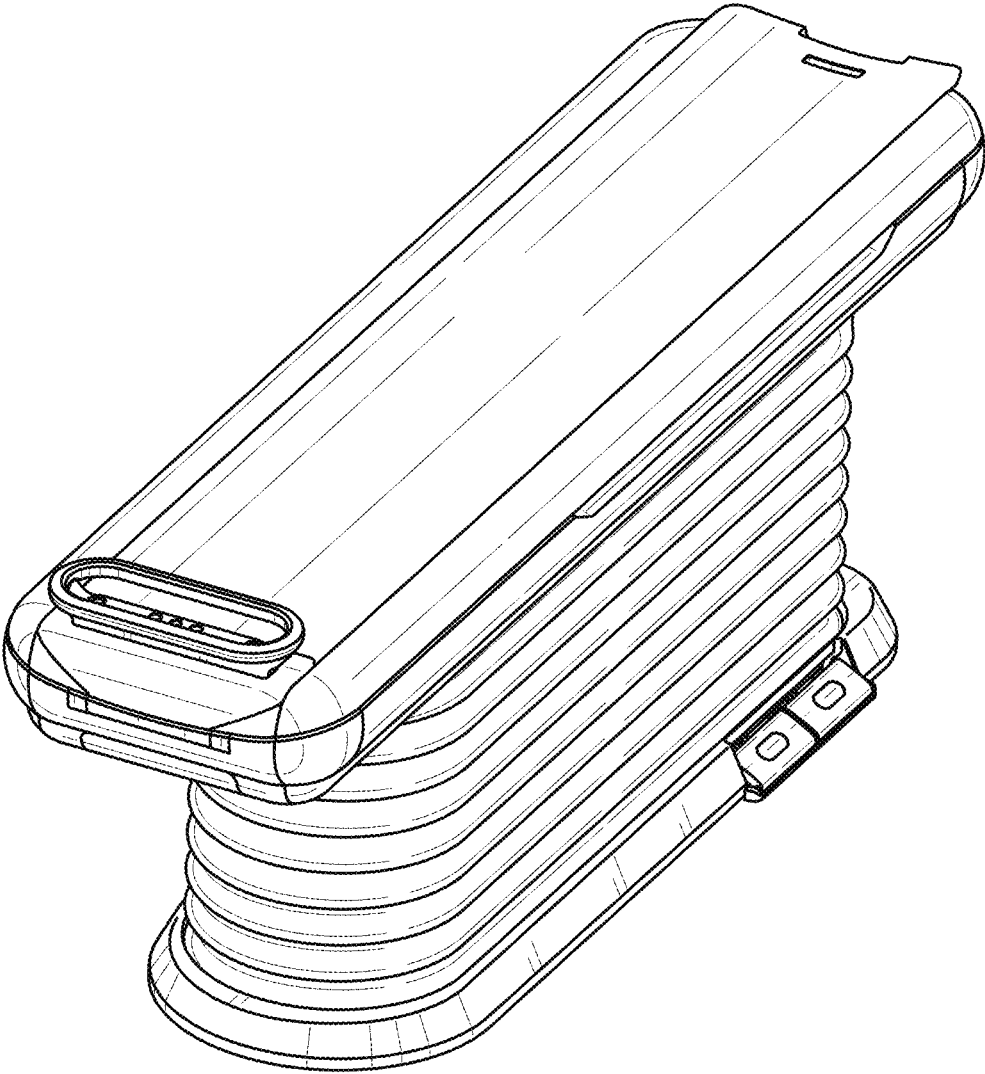


Fig. 2

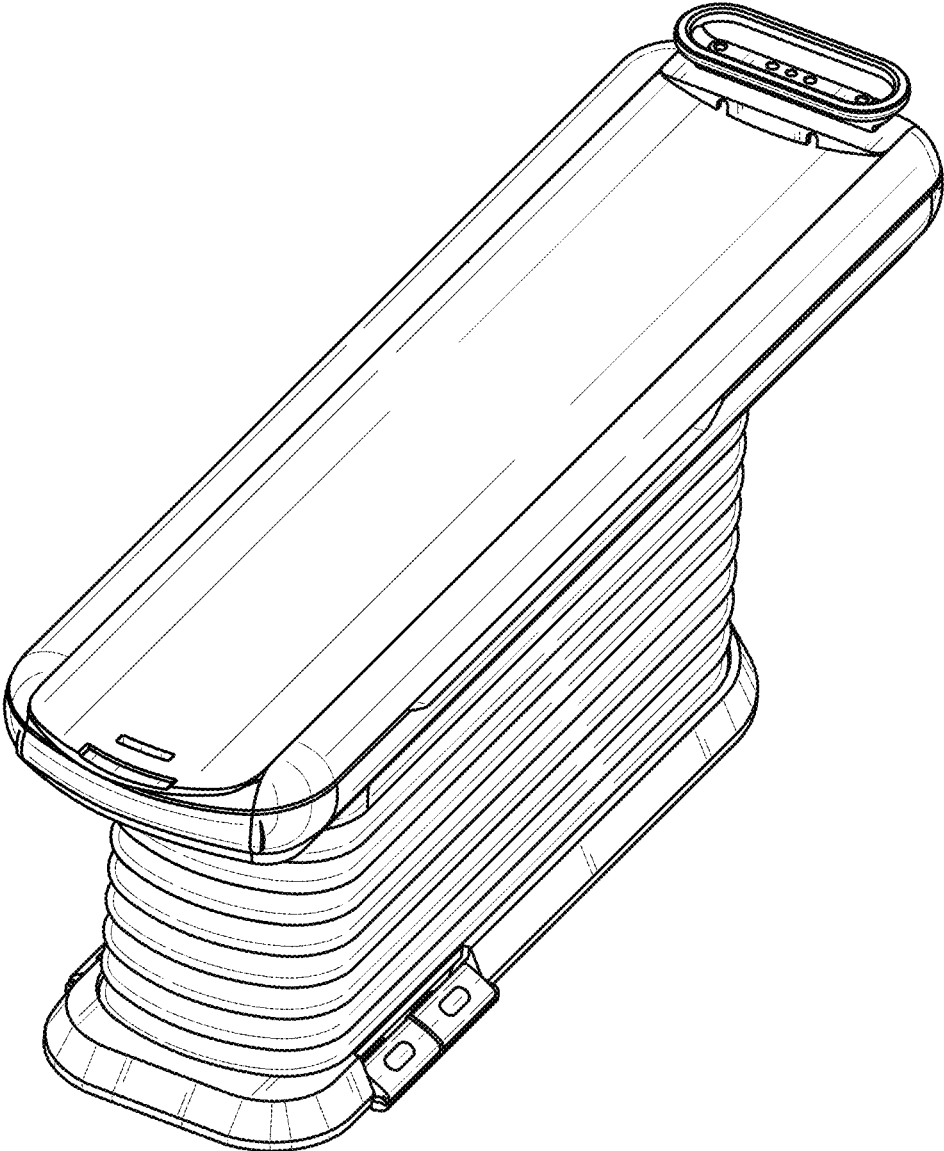


Fig. 3

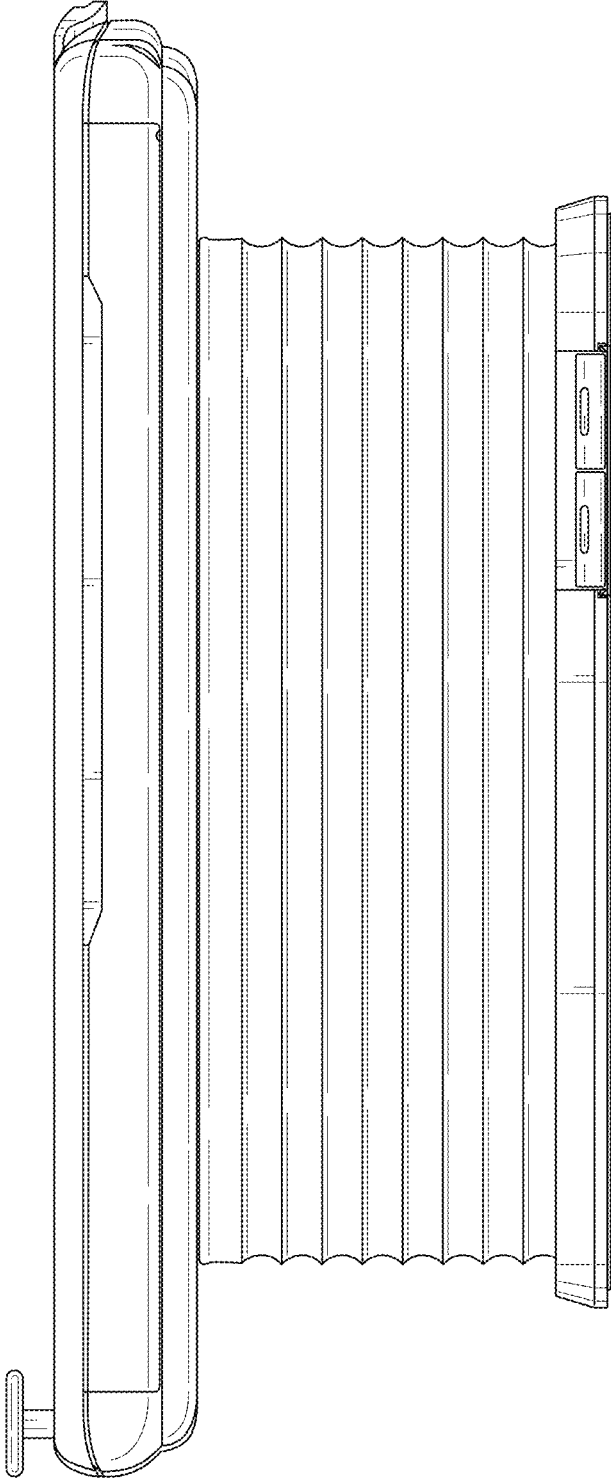


Fig. 4



Fig. 5

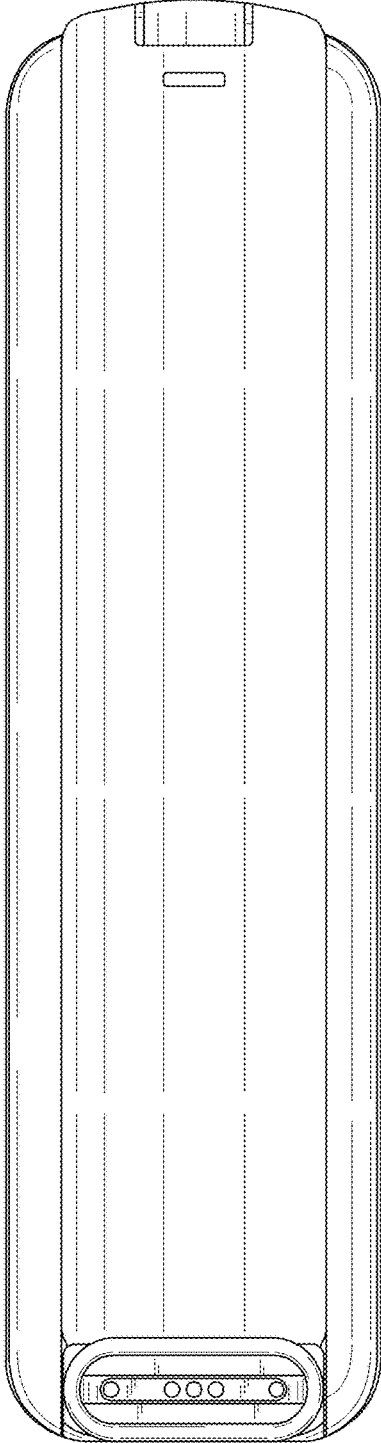


Fig. 6

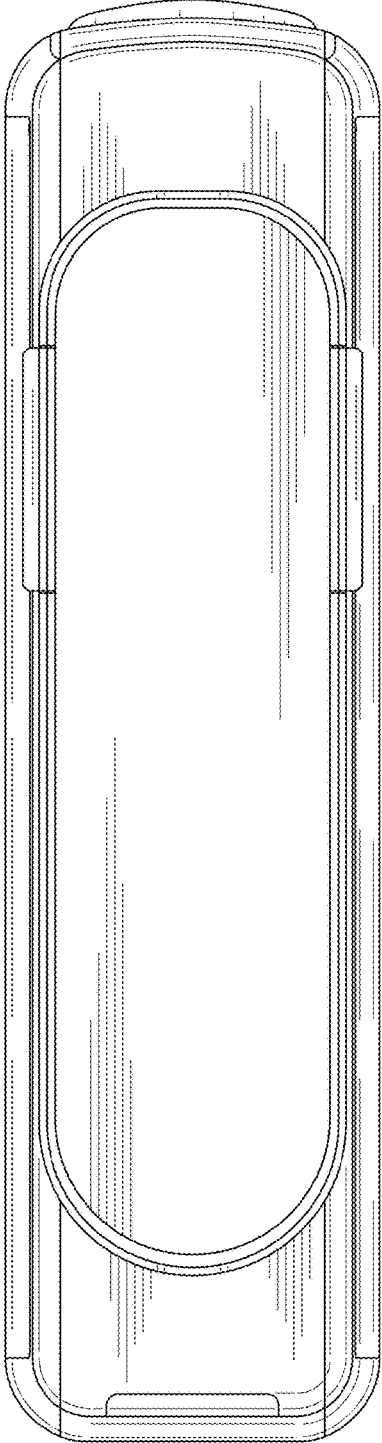


Fig. 7

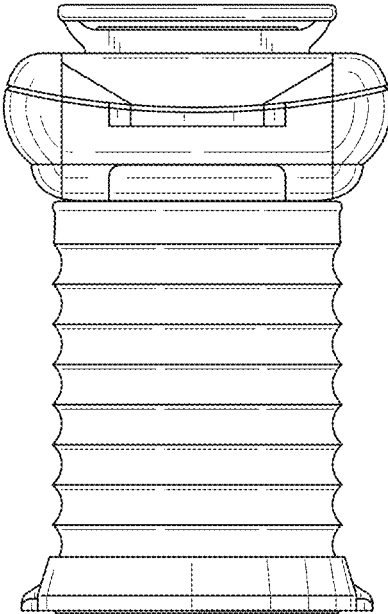


Fig. 8

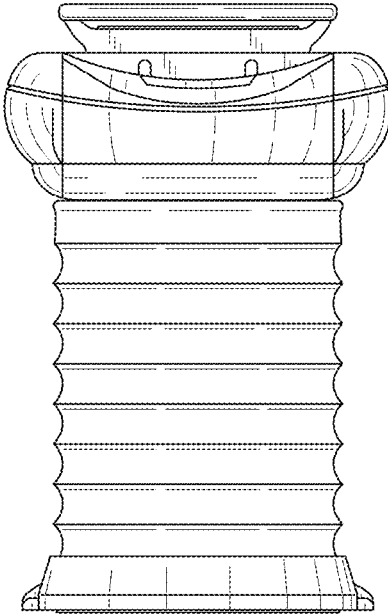


Fig. 9

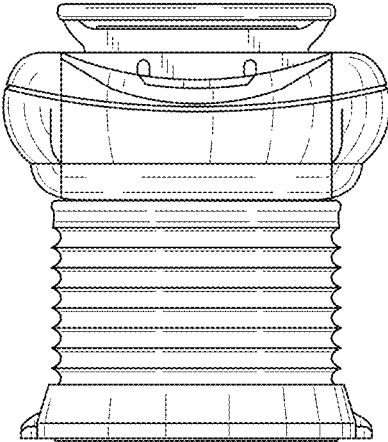


Fig. 10

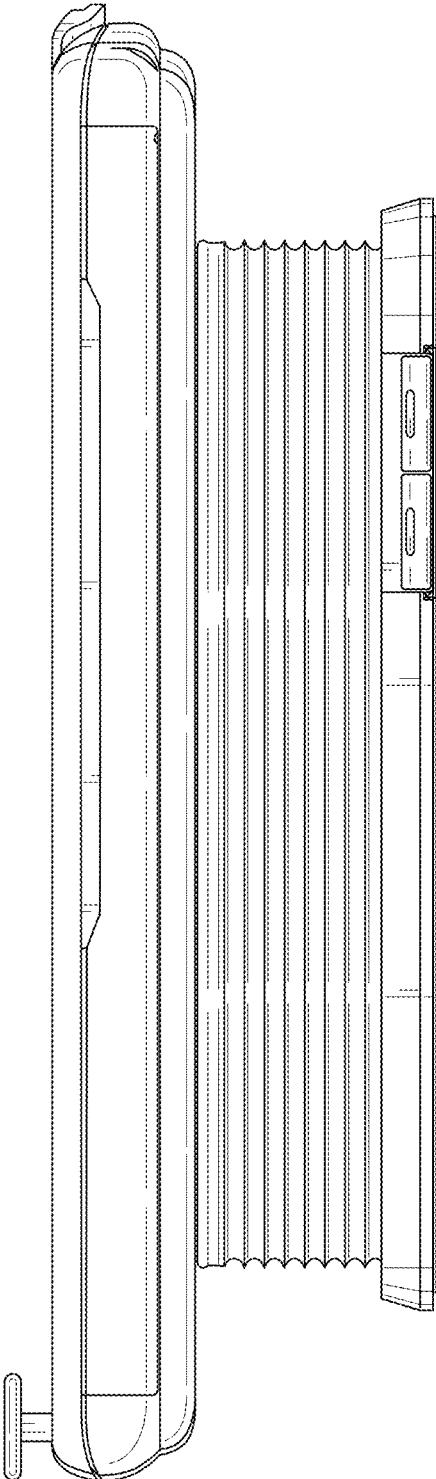


Fig. 11

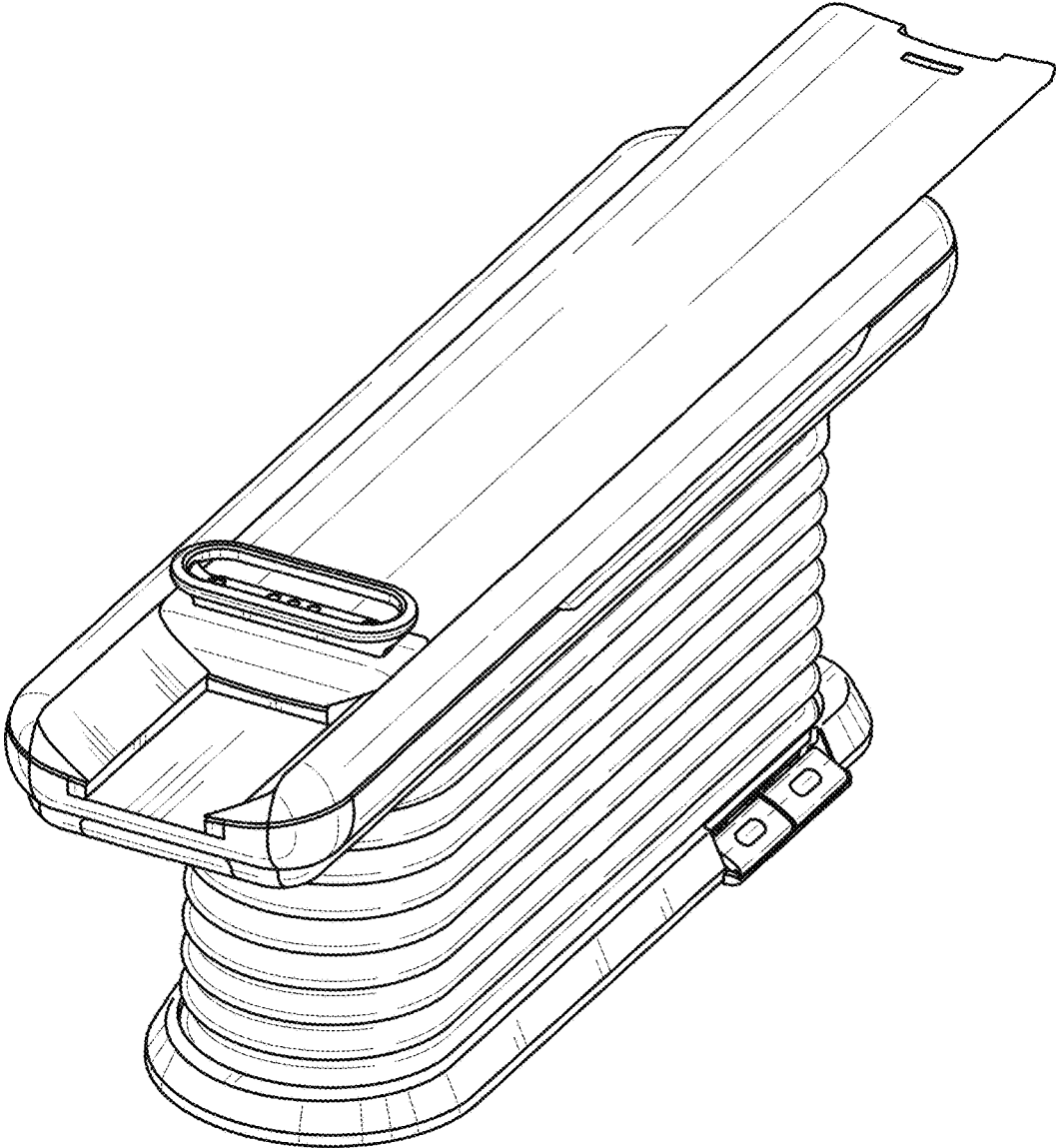


Fig. 12

