



US00D717072S

(12) **United States Design Patent**
Callif et al.

(10) **Patent No.:** **US D717,072 S**

(45) **Date of Patent:** **** Nov. 11, 2014**

(54) **HANGING SHELF WITH HOOKS**

(71) Applicant: **Liberty Hardware Mfg. Corp.**,
Winston-Salem, NC (US)

(72) Inventors: **Adam W. Callif**, Chicago, IL (US);
Bridget Soldan, Chicago, IL (US);
Geraint Krumpe, Chicago, IL (US);
Jose Manuel dos Santos, Chicago, IL (US)

(73) Assignee: **Liberty Hardware Mfg. Corp.**,
Winston-Salem, NC (US)

(**) Term: **14 Years**

(21) Appl. No.: **29/492,644**

(22) Filed: **Jun. 2, 2014**

(51) **LOC (10) Cl.** **06-04**

(52) **U.S. Cl.**
USPC **D6/574; D6/566; D6/569**

(58) **Field of Classification Search**
USPC D3/304, 306; 206/202, 513, 557;
211/13.1, 41.3, 41.4, 86.01, 88.01,
211/134, 126.1, 181.1; 248/302; 220/485,
220/488; D6/512-514, 524-525, 566

See application file for complete search history.

(56) **References Cited**

U.S. PATENT DOCUMENTS

| | | | |
|--------------|---------|----------------------|--------|
| D327,596 S * | 7/1992 | Emery | D6/540 |
| D365,481 S * | 12/1995 | McKeon | D6/513 |
| D429,102 S * | 8/2000 | Patel et al. | D6/540 |
| D449,752 S * | 10/2001 | Snell | D6/566 |
| D498,632 S * | 11/2004 | Anderson et al. | D6/566 |

* cited by examiner

Primary Examiner — Brian N Vinson

(74) *Attorney, Agent, or Firm* — Lora J. Graentzdoerffer

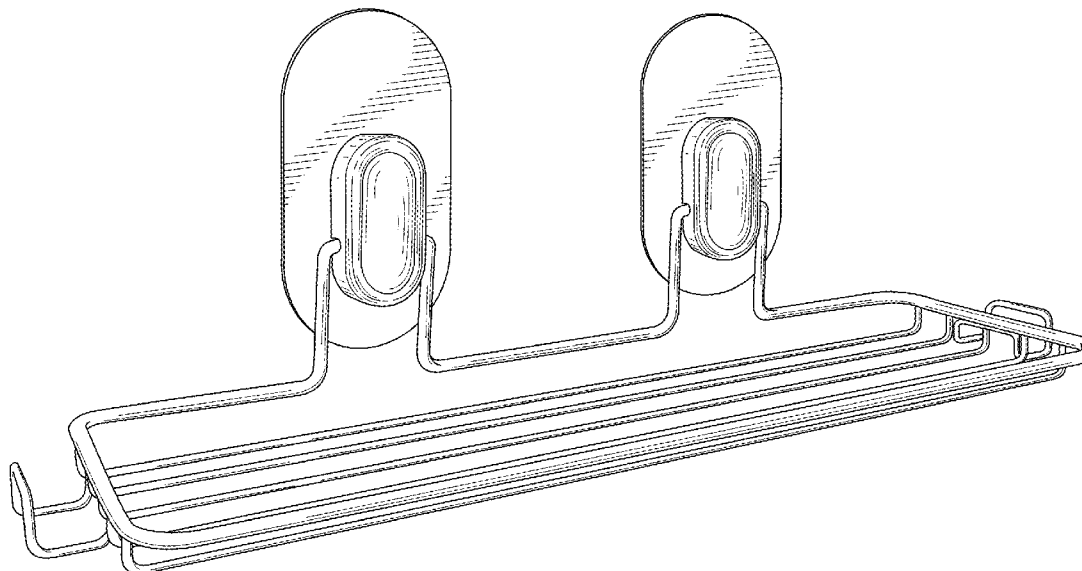
(57) **CLAIM**

The ornamental design for a hanging shelf with hooks, as shown and described.

DESCRIPTION

FIG. 1 is a perspective view of a hanging shelf with hooks showing our design;
FIG. 2 is a front elevational view;
FIG. 3 is a rear elevational view;
FIG. 4 is a left side elevational view;
FIG. 5 is a right side elevational view;
FIG. 6 is a top plan view; and,
FIG. 7 is a bottom plan view.

1 Claim, 6 Drawing Sheets



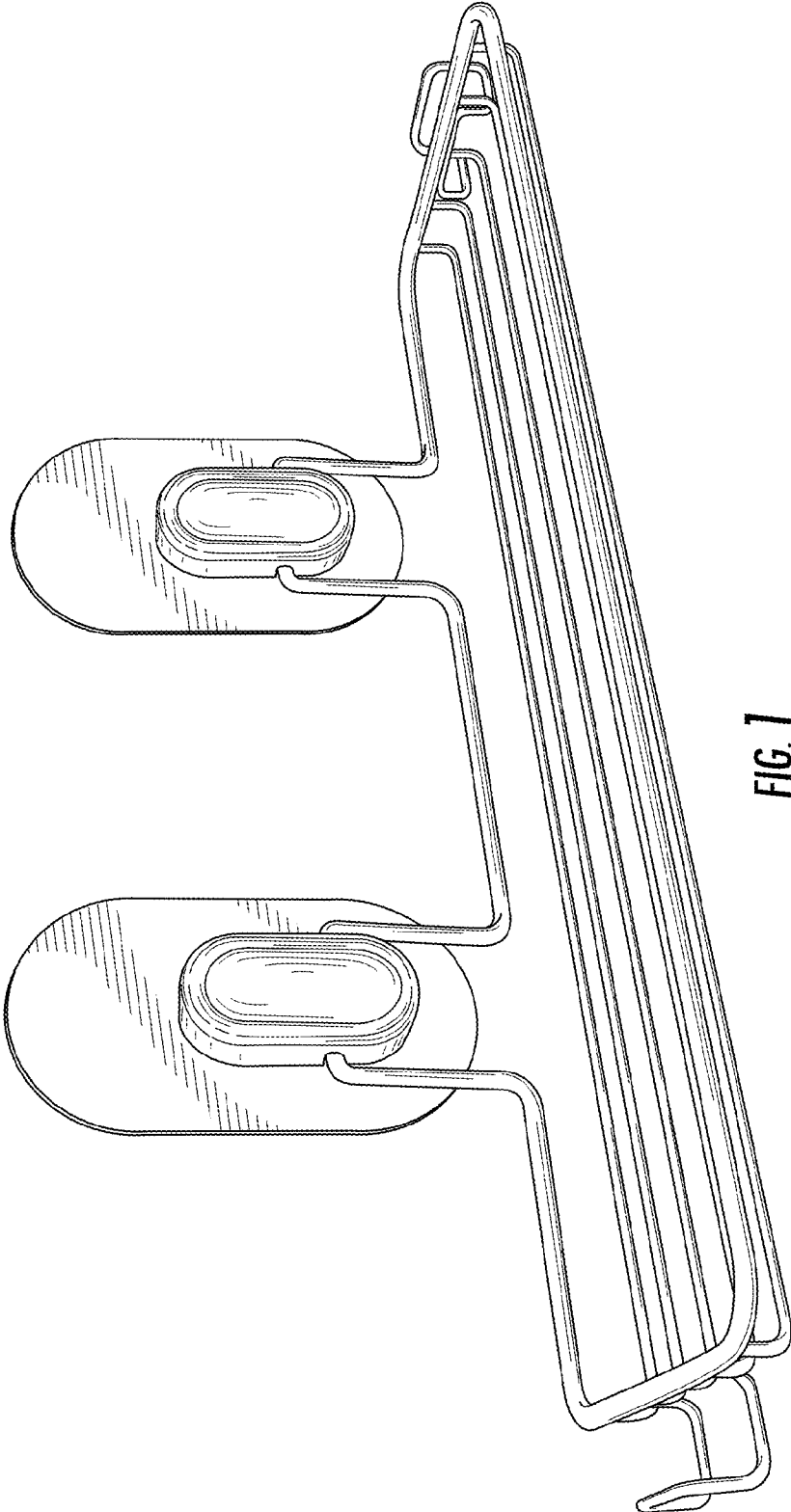


FIG. 1

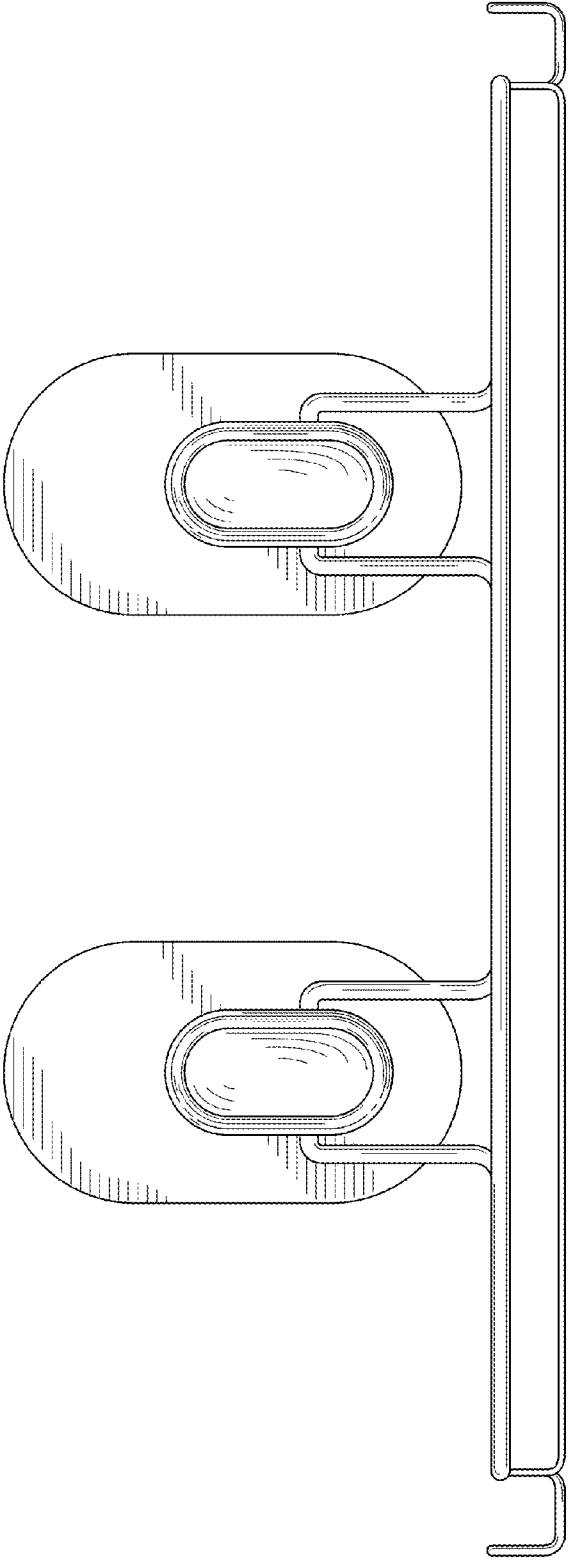


FIG. 2

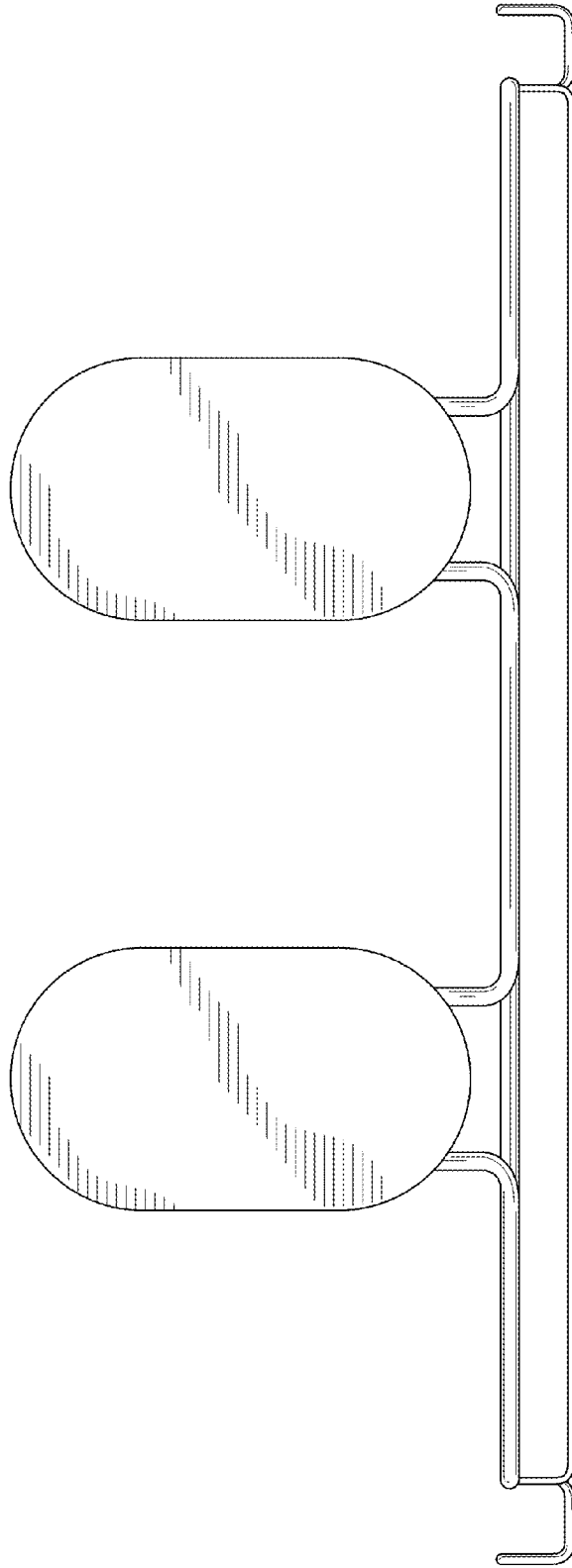


FIG. 3

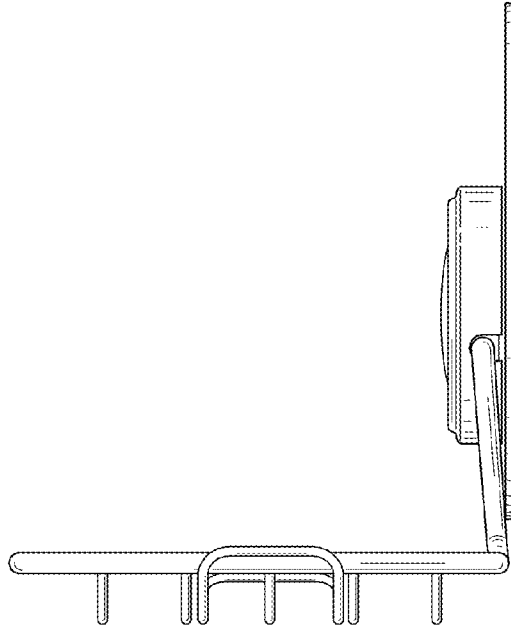


FIG. 4

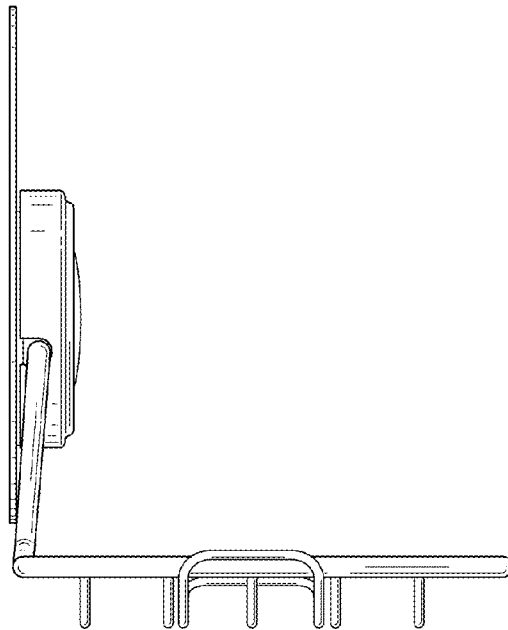


FIG. 5

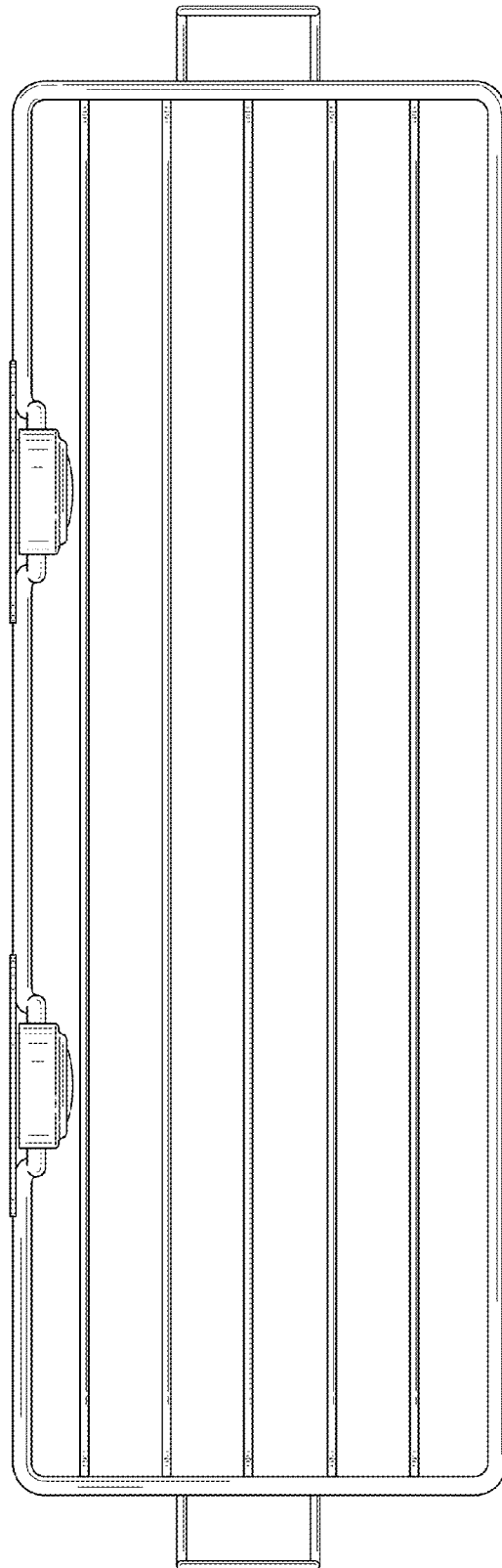


FIG. 6

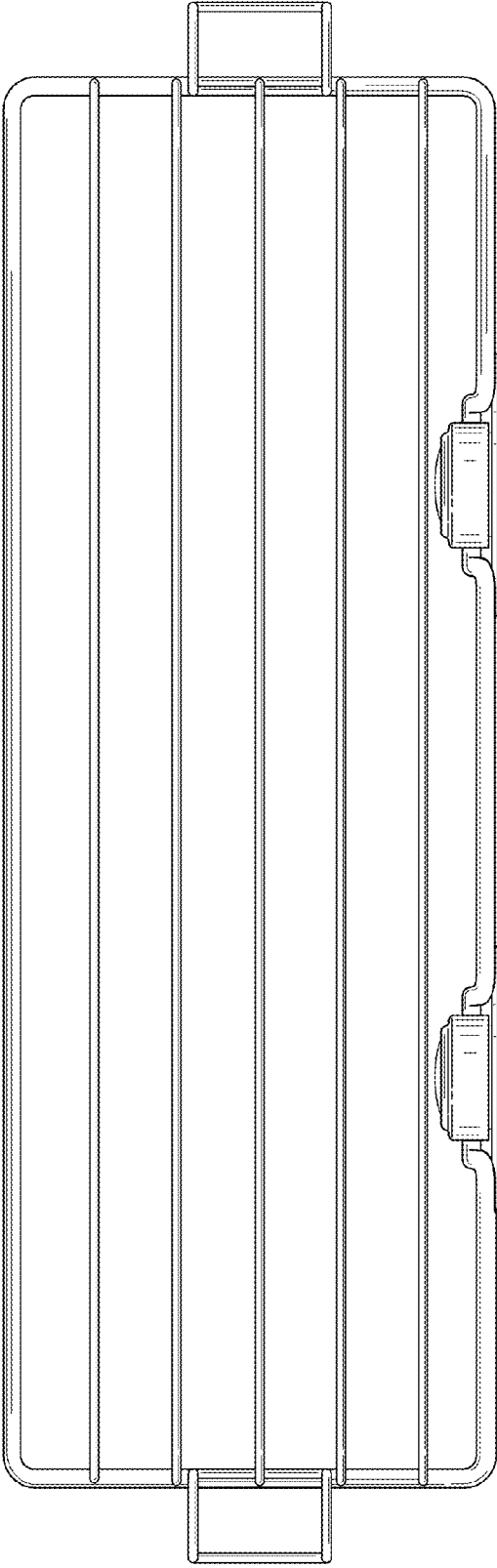


FIG. 7