



US00D737580S

(12) **United States Design Patent**  
**Tsai**

(10) **Patent No.:** **US D737,580 S**

(45) **Date of Patent:** **\*\* Sep. 1, 2015**

(54) **WALL MOUNTED MIRROR**  
(71) Applicant: **Pretty Star Store LLC**, Rowland Heights, CA (US)

D639,496 S \* 6/2011 Wada et al. .... D26/120  
D657,576 S \* 4/2012 Pitot ..... D6/309  
8,162,502 B1 \* 4/2012 Zadro ..... 362/141  
8,356,908 B1 \* 1/2013 Zadro ..... 362/136  
8,735,922 B2 \* 5/2014 Tsai ..... 257/98

(72) Inventor: **Tsung-Yu Tsai**, Changhua (TW)  
(73) Assignee: **Pretty Star Store LLC**, Rowland Heights, CA (US)

**OTHER PUBLICATIONS**

DecoBros Wall Mount Mirror, available Jun. 3, 2014, [online], [site visited Mar. 4, 2015]. Available from internet, <URL: [http://www.amazon.com/DecoBros-Two-Sided-Magnification-13-5-Inch-Extension/dp/B00J3K9W6G/ref=sr\\_1\\_2?s=beauty&ie=UTF8&qid=1425500457&sr=1-2](http://www.amazon.com/DecoBros-Two-Sided-Magnification-13-5-Inch-Extension/dp/B00J3K9W6G/ref=sr_1_2?s=beauty&ie=UTF8&qid=1425500457&sr=1-2)>.

(\*\*) Term: **14 Years**  
(21) Appl. No.: **29/497,233**

(Continued)

(22) Filed: **Jul. 22, 2014**  
(51) **LOC (10) Cl.** ..... **06-07**  
(52) **U.S. Cl.**  
USPC ..... **D6/300**; D6/309; D6/312  
(58) **Field of Classification Search**  
USPC ..... D6/300-314; D10/122, 123, 126;  
D24/139; D20/10, 21; D26/44, 56, 63,  
D26/107; D8/352; 359/879, 871; 40/735,  
40/738, 597, 744, 745, 754, 765, 768, 769,  
40/790, 798; 248/466-467; D11/146  
CPC ..... A45D 42/16; A45D 42/08; F21V 33/004;  
F21V 21/30; A47G 1/02  
See application file for complete search history.

*Primary Examiner* — Cathron Brooks  
*Assistant Examiner* — Teddy Falloway  
(74) *Attorney, Agent, or Firm* — Muncy, Geissler, Olds & Lowe, P.C.

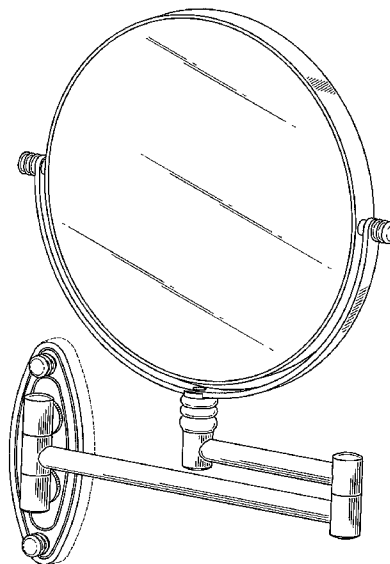
(57) **CLAIM**  
The ornamental design for a wall mounted mirror, as shown and described.

**DESCRIPTION**

FIG. 1 is a perspective view of the present design;  
FIG. 2 is a front view of the present design;  
FIG. 3 is a rear view of the present design;  
FIG. 4 is a left side view of the present design;  
FIG. 5 is a right view of the present design;  
FIG. 6 is a top view of the present design;  
FIG. 7 is a bottom view of the present design; and,  
FIG. 8 is another perspective view of the present design.  
The broken lines shown are included for the purpose of illustrating portions of the wall mounted mirror that form no part of the claimed design.

(56) **References Cited**  
U.S. PATENT DOCUMENTS  
6,158,877 A \* 12/2000 Zadro ..... 362/216  
D437,492 S \* 2/2001 Wai ..... D6/309  
D492,230 S \* 6/2004 Berger ..... D12/187  
D509,369 S \* 9/2005 Snell ..... D6/310  
7,048,406 B1 \* 5/2006 Shih ..... 362/135  
D540,549 S \* 4/2007 Yue ..... D6/312  
7,513,476 B1 \* 4/2009 Huang ..... 248/474

**1 Claim, 7 Drawing Sheets**



(56)

**References Cited**

OTHER PUBLICATIONS

Ovente Wall Mount Mirror, available Feb. 11, 2013, [online], [site visited Mar. 4, 2015]. Available from internet, <URL: <http://www.amazon.com/dp/B00B5KAA0E?psc=1>.\*

Jerdon Wall Mount Mirror, available Sep. 7, 2004, [online], [site visited Mar. 4, 2015]. Available from internet, <URL: <http://www.amazon.com/Jerdon-JP7506CF-8-Inch-Makeup-Magnification/dp/>

B0000AFUTL/ref=sr\_1\_3?ie=UTF8&qid=1425502904&sr=8-3 &keywords=wall+mounted+mirror.\*

Danielle Wall Mount Mirror, available Jul. 15, 2011, [online], [site visited Mar. 4, 2015]. Available from internet, <URL: [http://www.amazon.com/Danielle-Magnification-Adjustable-Round-Mirror/dp/B0041OF7YU/ref=sr\\_1\\_8?ie=UTF8&qid=1425503144&sr=8-8](http://www.amazon.com/Danielle-Magnification-Adjustable-Round-Mirror/dp/B0041OF7YU/ref=sr_1_8?ie=UTF8&qid=1425503144&sr=8-8)

&keywords=wall+mounted+mirror.\*

\* cited by examiner

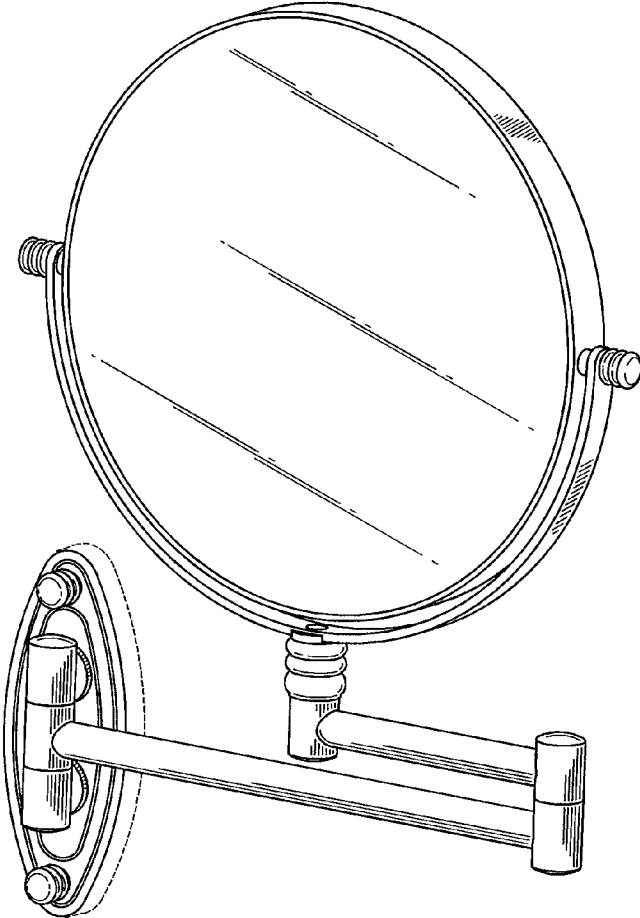


FIG. 1

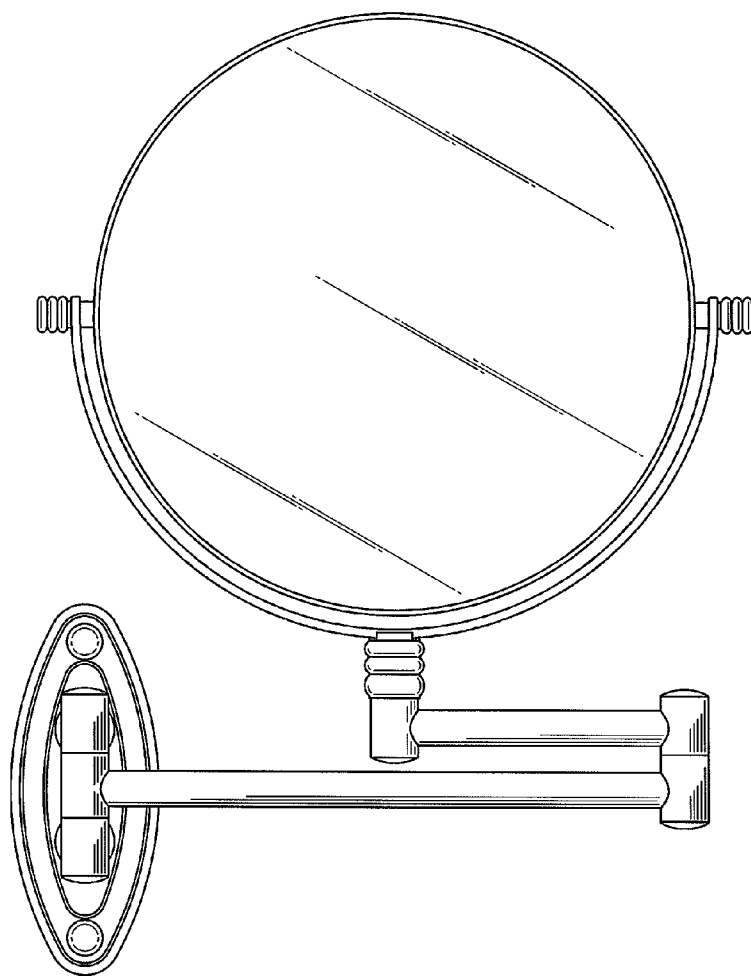


FIG. 2

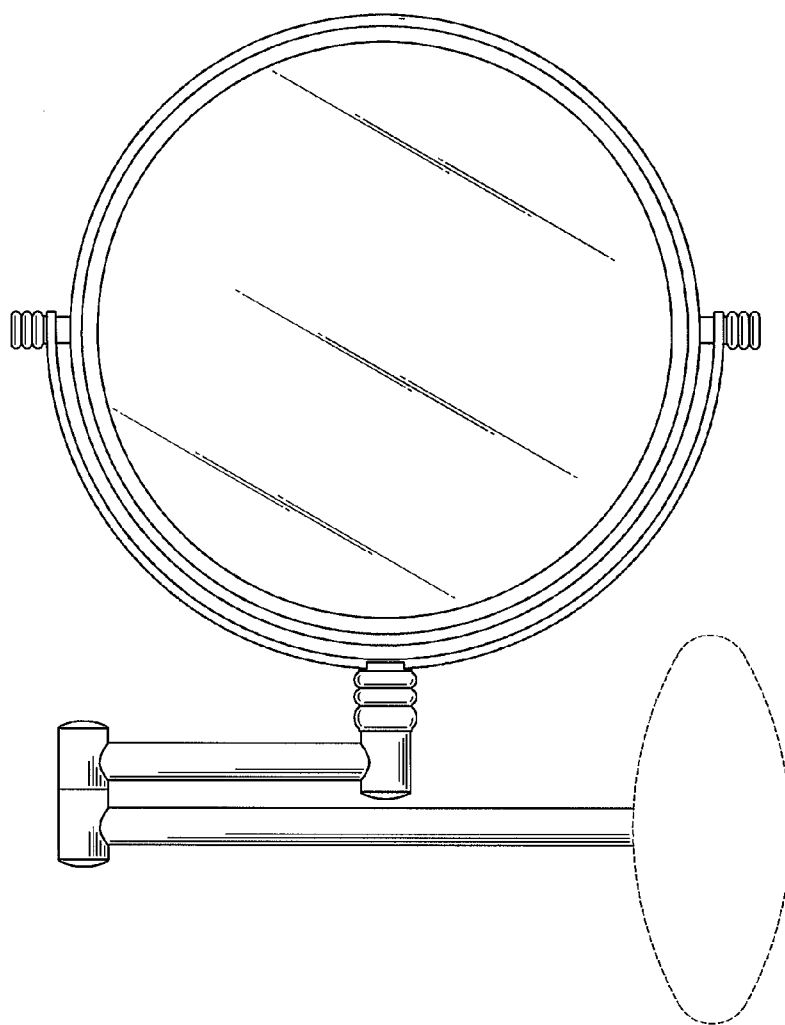


FIG. 3

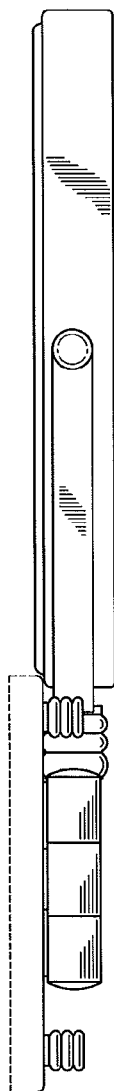


FIG. 4

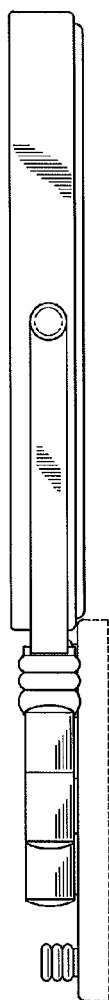


FIG. 5

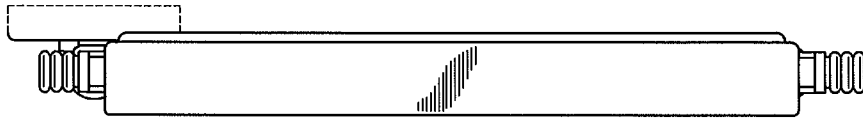


FIG. 6

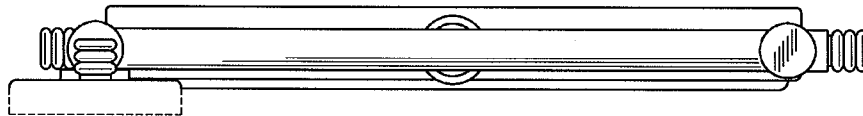


FIG. 7

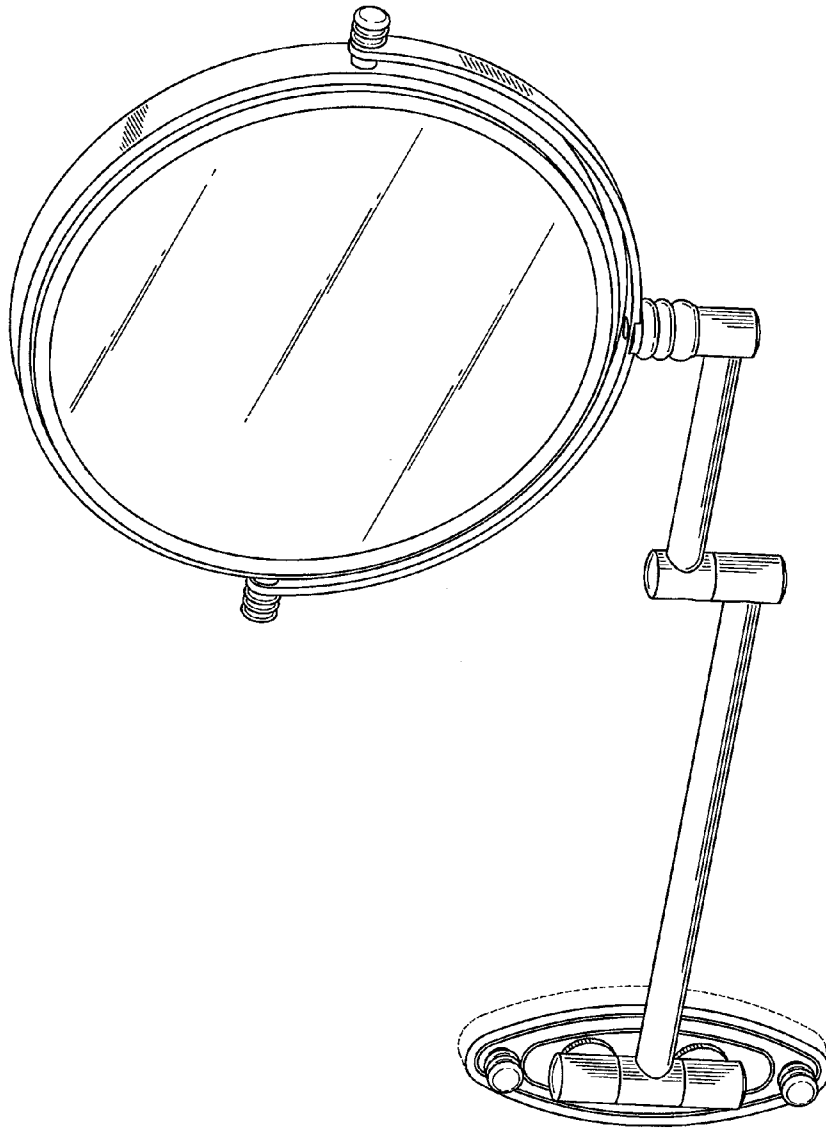


FIG. 8